

2010 Honda CR-V EX-L Utility

SPECIAL CAUTIONS

SUPPLEMENTAL RESTRAINT SYSTEM

Refer to Procedure Explanation 29 for Supplemental Restraint/Air Bag Special Cautions.

CRVCLUB.BRU

2010 Honda CR-V EX-L Utility

PAINT CODE LOCATION

Paint code located on left door lock pillar.

CRVCLUB.RU

2010 Honda CR-V EX-L Utility

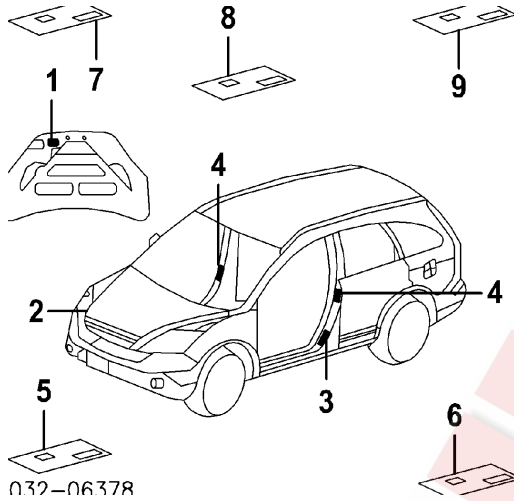
CLEAR COAT IDENTIFICATION

All colors except Taffeta White (Code NH-578) are clear coat.

CRVCLUB.RO

2010 Honda CR-V EX-L Utility

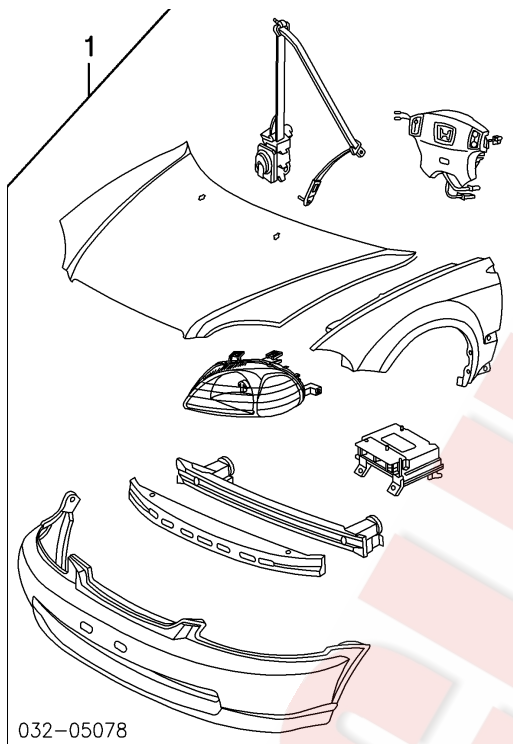
INFORMATION LABELS



	032-06378		
1 Label, SRS Warning		77871-SDA-A90	\$4.23
2 Label, A/C		80050-SWA-H00	\$1.30
3 Placard, Specification			
Japan Built		42762-SWA-A02	\$2.72
USA Built		42762-SWA-A52	\$2.22
Mexico Built	08-10	42762-SWA-A52	\$2.22
4 Label, Side Air Bag Caution	R	78031-SDA-A90	\$2.48
	L	78031-SDA-A90	\$2.48
5 Label, Spare Tire Caution		42767-SV4-A00	\$2.72
6 Plate, Jack Caution-See Wheel Section			
7 Label, SRS Notice-See Steering Wheel/Column Section			
8 Label, Fuse-See Instrument Panel Section			
9 Label, "ULEV"		75737-SDA-A11	\$5.38

2010 Honda CR-V EX-L Utility

FRONT IMPACT KIT



Refinish & Mechanical Labor Operations

Refinish Front Cover		2.5
Refinish Front Bumper Reinforcement		1.0
Refinish Hood Outside		2.7
Add for Underside		1.3
Refinish Fender Outside	R	2.1
	L	2.1
Add to Edge Fender	R	.5
	L	.5
Add for Mechanical Labor Operations		.9

NOTE: Kit includes Frt Cover, Reinf Bar

NOTE: Kit includes Impact Absorber, H/Lamps, Fenders

NOTE: Kit includes Hood, Driver Air Bag & SRS Unit

2010 Honda CR-V EX-L Utility

NOTE: Kit includes Driver Pre-Tensioner Seat Belt

NOTE: All Labor Allowances for Front Impact Kit must be selected from included parts headnote section.

1 Impact Kit, Front (h)

2007

USA Built

EX, EX-L Model

Black	7.7 ***9145	\$2,470.73
Ivory	7.7 ***9147	\$2,453.73

LX Model

2WD

Gray	7.7 ***9146	\$2,453.73
Ivory	7.7 ***9147	\$2,453.73

4WD

Black	7.7 ***9145	\$2,470.73
Ivory	7.7 ***9147	\$2,453.73

Japan Built

EX, EX-L Model

Black	7.7 ***9142	\$2,567.22
Ivory	7.7 ***9144	\$2,567.22

LX Model

2WD

Gray	7.7 ***9143	\$2,567.22
Ivory	7.7 ***9144	\$2,567.22

4WD

Black	7.7 ***9142	\$2,567.22
Ivory	7.7 ***9144	\$2,567.22

2008-09

USA Built

EX-L Model

Black	7.7 ***9393	\$2,454.43
Gray	7.7 ***9394	\$2,454.43
Ivory	7.7 ***9395	\$2,431.55

EX, LX Model

Black	7.7 ***9145	\$2,470.73
Gray	7.7 ***9146	\$2,453.73
Ivory	7.7 ***9147	\$2,453.73

Mexico Built

EX, LX Model

Black	7.7 ***9145	\$2,470.73
Gray	7.7 ***9146	\$2,453.73
Ivory	7.7 ***9147	\$2,453.73

Japan Built

2010 Honda CR-V EX-L Utility

EX, LX Model

Black	7.7 ***9142	\$2,567.22
Gray	7.7 ***9143	\$2,567.22
Ivory	7.7 ***9144	\$2,567.22

EX-L Model

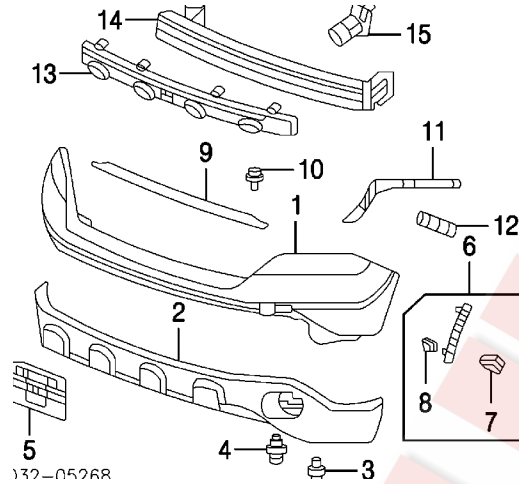
Black	7.7 ***9390	\$2,567.22
Gray	7.7 ***9391	\$2,567.22
Ivory	7.7 ***9392	\$2,567.22

(h) Includes Frt Cover, Reinf Bar, Impact Absorber, Headlamps, Fenders, Hood, Driver Air Bag, SRS Unit and Driver Pre-Tensioner Seat Belt

FRONT BUMPER

Procedures 1 and 28

2007-09



Refinish Front Cover		2.5
Refinish Reinforcement Bar		1.0
Refinish Bumper Stay	R	.5
	L	.5
R&I Bumper Assy		#1.4
#Includes R&I/R&R Upper Cover		
O/H Bumper Assy (Includes R&I)		#2.3
#Includes R&I Grille Assy and R&I/R&R Upper Cover		
Add to R&R or O/H Front Bumper Assy		
w/Fog Lamps		.3
Add to R&R Front Bumper		
To Cut Holes for Installation of Fog Lamps		#.3

#See Manufacturer's Body Repair Manual for Specific Instructions

NOTE 1: All Parts in this section are included in overhaul unless noted otherwise.

NOTE 2: Manufacturer Advises that the Reinforcement Beam is High Strength Steel and should never be repaired.

2010 Honda CR-V EX-L Utility

(h) Included w/Front Impact Kit-listed in Front Impact Kit Section

(P) Paint to Match

#Includes R&I Grille Assy and R&I/R&R Upper Cover

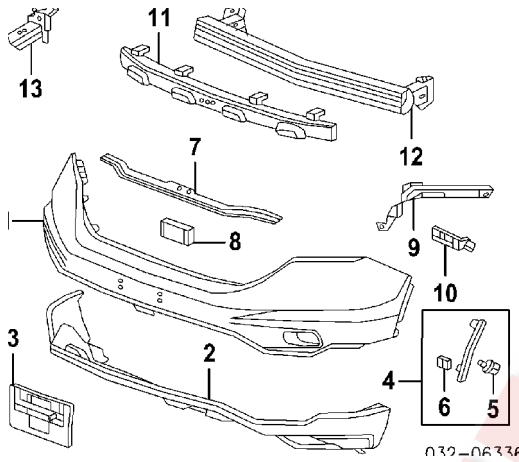
2	Cover, Lower		#.6	04712-SWA-A91	\$249.17
	#w/Bumper Cover Removed				
3	Bolt, Cover (4)			90111-SM4-003	\$2.42
4	Clip, Cover (21)			91505-S9A-003	\$2.12
5	Base, License Plate		.2	71145-SWA-A00	\$23.00
6	Garnish Assy, Side	R	.2	71103-SWA-000	\$9.40
		L	.2	71108-SWA-000	\$9.40
7	Clip, Garnish (2/Side)¶	R		90601-SWA-000	\$2.02
		L		90601-SWA-000	\$2.02
8	Nut, Spring¶	R		90331-SD5-003	\$0.83
		L		90331-SD5-003	\$0.83
	¶Included w/Side Garnish Assy				
9	Beam, Cover Center			71146-SWA-000	\$24.77
10	Bolt, Mounting (2)			93405-06016-08	\$0.72
11	Beam, Cover Side-See Front Lamps Section				
12	Spacer, Side	R		71193-SWA-003	\$2.22
		L		71198-SWA-003	\$2.22
13	Absorber, Impact (h)		IOH	71170-SWA-A01	\$49.67
14	Bar, Reinforcement (h)		#.3	71130-SXS-A00ZZ	\$148.93

(h) Included w/Front Impact Kit-listed in Front Impact Kit Section

#w/Bumper Assy Removed, Not Included in O/H

15	Stay, Bumper	R	.2	71142-SWA-A00ZZ	\$7.67
		L	.2	71147-SWA-A00ZZ	\$7.67

2010 Honda CR-V EX-L Utility



Refinish Front Cover		2.5
Refinish Reinforcement Bar		1.0
Refinish Bumper Stay	R	.5
	L	.5
R&I Bumper Assy		#1.4
#Includes R&I/R&R Upper Cover		
O/H Bumper Assy (Includes R&I)		#2.3
#Includes R&I Grille Assy and R&I/R&R Upper Cover		
Add to R&R or O/H Front Bumper Assy		
w/Fog Lamps		.3
Add to R&R Front Cover		
To Cut Holes for Installation of Fog Lamps		#.3

#See Manufacturer's Body Repair Manual for Specific Instructions

NOTE 1: All Parts in this section are included in overhaul unless noted otherwise.

NOTE 2: Manufacturer Advises that the Reinforcement Beam is High Strength Steel and should never be repaired.

1 Cover, Front (P)	#2.3	04711-SWA-A80ZZ \$170.12
(P) Paint to Match		

#Includes R&I Grille Assy and R&I/R&R Upper Cover

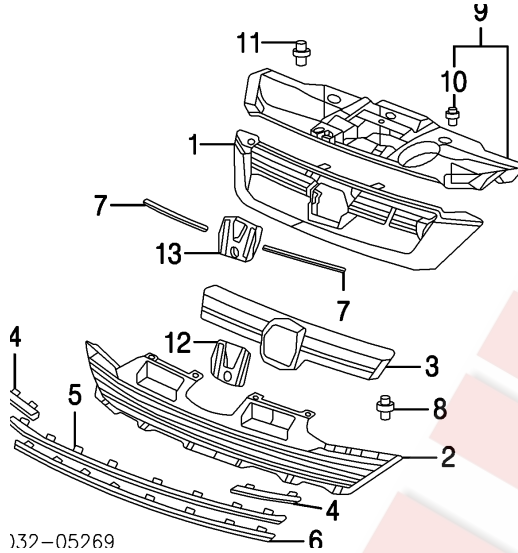
2010 Honda CR-V EX-L Utility

2	Cover, Lower		#.6	04712-SWA-A92	\$242.62
	#w/Bumper Cover Removed				
3	Base, License Plate		.2	71145-SWA-A01	\$4.77
4	Garnish Assy, Side	R	.2	71103-SWA-000	\$9.40
		L	.2	71108-SWA-000	\$9.40
5	Clip, Garnish¶	R		90601-SWA-000	\$2.02
		L		90601-SWA-000	\$2.02
6	Nut, Spring¶	R		90331-SD5-003	\$0.83
		L		90331-SD5-003	\$0.83
	¶Included w/Side Garnish Assy				
7	Beam, Bumper			71146-SWA-010	\$9.17
8	Support, Beam			71148-SWA-000	\$63.90
9	Beam, Cover Side-See Front Lamps Section				
10	Spacer, Side	R		71193-SWA-003	\$2.22
		L		71193-SWA-003	\$2.22
11	Absorber, Impact			71170-SWA-A01	\$49.67
12	Bar, Reinforcement				
	Japan Built		#.3	71130-SXS-A00ZZ	\$148.93
	USA, Mexico Built		#.3	71130-SXS-A00ZZ	\$148.93
	#w/Bumper Assy Removed, Not Included in O/H				
13	Stay, Bumper	R	.2	71142-SWA-A00ZZ	\$7.67
		L	.2	71147-SWA-A00ZZ	\$7.67

2010 Honda CR-V EX-L Utility

GRILLE

2007-09



137-05269

Refinish Upper Grille Assy
R&I Upper Grille

#Includes R&I Upper Cover

1 Grille, Upper
Japan Built

		1.2	
	#.4		
Alabaster Silver, (Code NH700M)	09 #.6	71128-SWA-003ZN	\$146.20
Borrego Beige, (Code YR566M)	#.6	71128-SWA-003ZJ	\$153.97
Crystal Black, (Code NH731P)	09 #.6	71128-SWA-003ZR	\$146.20
Green Tea, (Code G526M)	#.6	71128-SWA-003ZD	\$157.70
Glacier Blue, (Code B538M)	#.6	71128-SWA-003ZB	\$157.70
Nighthawk Black, (Code B92P)	07-0 #.6	71128-SWA-003ZC	\$157.70
Royal Blue, (Code B536P)	#.6	71128-SWA-003ZA	\$153.97
Tafetta White, (Code NH578)	#.6	71128-SWA-003ZE	\$157.70
Tango Red, (Code R525P)	#.6	71128-SWA-003ZH	\$157.70
Whistler Silver, (Code NH711M)	07-0 #.6	71128-SWA-003ZG	\$157.70

USA Built

2010 Honda CR-V EX-L Utility

Alabaster Silver, (Code NH700M)	09 #.6	71128-SXS-A21ZJ	\$97.87
Borrego Beige, (Code YR566M)	#.6	71128-SXS-A21ZH	\$97.87
Crystal Black, (Code G526M)	09 #.6	71128-SXS-A21ZM	\$97.87
Green Tea, (Code G526M)	#.6	71128-SXS-A21ZD	\$97.87
Glacier Blue, (Code B538M)	#.6	71128-SXS-A21ZB	\$97.87
Nighthawk Black, (Code B92P)	07-0 #.6	71128-SXS-A21ZC	\$97.87
Royal Blue, (Code B536P)	#.6	71128-SXS-A21ZA	\$97.87
Tafetta White, (Code NH578)	#.6	71128-SXS-A21ZE	\$97.87
Tango Red, (Code R525P)	#.6	71128-SXS-A21ZG	\$97.87
Urban Titanium, (Code YR578M)	09 #.6	71128-SXS-A21ZL	\$97.87
Whistler Silver, (Code NH711M)	07-0 #.6	71128-SXS-A21ZF	\$97.87
Mexico Built			
Alabaster Silver, (Code NH700M)	09 #.6	71128-SXS-A21ZJ	\$97.87
Borrego Beige, (Code YR566M)	08-0 #.6	71128-SXS-A21ZH	\$97.87
Crystal Black, (Code G526M)	09 #.6	71128-SXS-A21ZM	\$97.87
Green Tea, (Code G526M)	08-0 #.6	71128-SXS-A21ZD	\$97.87
Glacier Blue, (Code B538M)	08-0 #.6	71128-SXS-A21ZB	\$97.87
Nighthawk Black, (Code B92P)	08 #.6	71128-SXS-A21ZC	\$97.87
Royal Blue, (Code B536P)	08-0 #.6	71128-SXS-A21ZA	\$97.87
Tafetta White, (Code NH578)	08-0 #.6	71128-SXS-A21ZE	\$97.87
Tango Red, (Code R525P)	08-0 #.6	71128-SXS-A21ZG	\$97.87
Urban Titanium, (Code YR578M)	09 #.6	71128-SXS-A21ZL	\$97.87

2010 Honda CR-V EX-L Utility

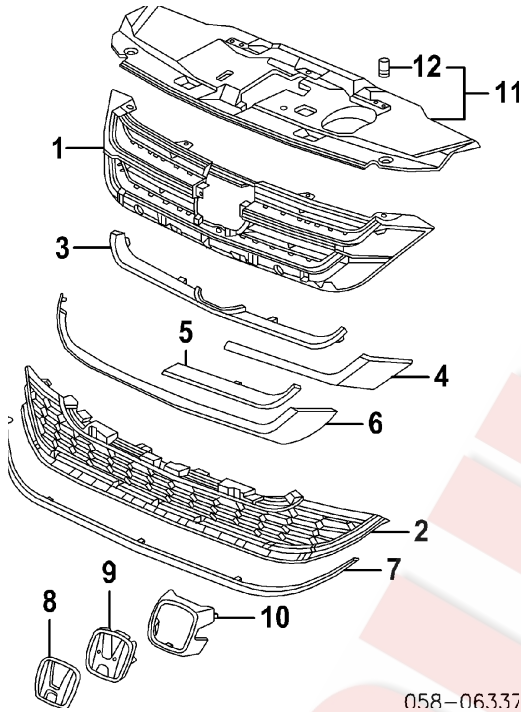
Whistler Silver, (Code NH711M)	08	#.6	71128-SXS-A21ZF	\$97.87
#Includes R&I Upper Cover				
2 Grille, Lower				
Japan Built		#.3	71121-SWA-003	\$112.87
USA Built		#.3	71121-SXS-A21	\$145.72
Mexico Built	08-0	#.3	71121-SXS-A21	\$145.72
#w/Front Bumper Removed				
3 Moulding, Grille				
Japan Built				
EX, EX-L Model		#.6	71122-SWA-003	\$92.55
LX Model		#.6	71122-SWA-A01	\$92.55
USA Built				
EX, EX-L Model		#.6	71122-SXS-A21	\$44.37
LX Model		#.6	71122-SXS-A41	\$44.37
Mexico Built				
EX, EX-L Model	08-0	#.6	71122-SXS-A21	\$44.37
LX Model	08-0	#.6	71122-SXS-A41	\$44.37
#Included in R&R Upper Grille				
4 Moulding, Upper				
Japan Built				
EX, EX-L Model	R	#.3	71124-SWA-003	\$24.67
	L	#.3	71125-SWA-003	\$24.67
LX Model	R	#.3	71124-SWA-J01	\$24.67
	L	#.3	71125-SWA-J01	\$24.67
USA Built				
EX, EX-L Model	R	#.3	71124-SXS-A21	\$3.85
	L	#.3	71125-SXS-A21	\$3.85
LX Model	R	#.3	71124-SXS-A41	\$3.85
	L	#.3	71125-SXS-A41	\$3.85
Mexico Built				
EX, EX-L Model	08-0 R	#.3	71124-SXS-A21	\$3.85
	L	#.3	71125-SXS-A21	\$3.85
LX Model	08-0 R	#.3	71124-SXS-A41	\$3.85
	L	#.3	71125-SXS-A41	\$3.85
5 Moulding, Center				
Japan Built				
EX, EX-L Model		#.3	71126-SWA-003	\$57.10
LX Model		#.3	71126-SWA-J01	\$57.10
USA Built				
EX, EX-L Model		#.3	71126-SXS-A21	\$57.10
LX Model		#.3	71126-SXS-A41	\$3.85
Mexico Built				
EX, EX-L Model	08-0	#.3	71126-SXS-A21	\$57.10
LX Model	08-0	#.3	71126-SXS-A41	\$3.85

2010 Honda CR-V EX-L Utility

6 Moulding, Lower				
Japan Built				
EX, EX-L Model		#.3	71127-SWA-003	\$57.10
LX Model		#.3	71127-SWA-J01	\$57.10
USA Built				
EX, EX-L Model		#.3	71127-SXS-A21	\$57.10
LX Model		#.3	71127-SXS-A41	\$3.85
Mexico Built				
EX, EX-L Model		08-0 #.3	71127-SXS-A21	\$57.10
LX Model		08-0 #.3	71127-SXS-A41	\$3.85
			#R&R Complete, Included in R&R Lower Grille, w/Front Bumper Removed	
7 Spacer, Grille				
Japan Built		R #.1	71162-SWA-003	\$7.83
		L #.1	71167-SWA-003	\$7.83
USA Built		R #.1	71162-SXS-A21	\$3.98
		L #.1	71167-SXS-A21	\$3.98
Mexico Built		08-0 R #.1	71162-SXS-A21	\$3.98
		L #.1	71167-SXS-A21	\$3.98
			#w/Grille Removed	
8 Clip, Grille (6)			91505-S9A-003	\$2.12
9 Cover Assy, Upper		.2	71123-SWA-000	\$22.18
10 Cushion, Hood (2)¶			74175-SJA-000	\$4.30
			¶Included w/Upper Cover Assy	
11 Clip, Cover				
No. 1, (5)			91503-SZ3-003	\$3.03
No. 2, (2)			91506-S9A-003	\$2.12
12 Emblem, "H"		#.2	75700-S9A-G00	\$6.58
			#w/Upper Cover Removed	
13 Base, Emblem				
Japan Built			71129-SWA-003	\$12.95
USA Built			71129-SXS-A21	\$8.78
Mexico Built		08-09	71129-SXS-A21	\$8.78

2010

2010 Honda CR-V EX-L Utility



058-06337

Refinish Grille Moulding

Upper		.5
Center Lower	R	.5
	L	.5

Refinish Emblem Base

R&I Lower Grille Assy		#.4
-----------------------	--	-----

#w/Bumper Cover Removed, Includes R&I Upper Grille, Included in R&R or O/H Front Bumper Cover

R&I Upper Grille		#.2
------------------	--	-----

#w/Bumper Cover Removed, Included in R&R or O/H Front Bumper Cover

1 Grille, Upper			
Japan Built	#.6	71121-SWA-J31	\$111.13
USA, Mexico Built	#.6	71121-SXS-A01	\$25.80

#w/Bumper Cover Removed

2 Grille, Lower			
Japan Built	#.6	71123-SWA-J31	\$104.17
USA, Mexico Built	#.6	71123-SXS-A01	\$112.87

#w/Bumper Cover Removed, Includes R&I Upper Grille

3 Moulding, Grille			
Upper			

2010 Honda CR-V EX-L Utility

Japan Built

Alabaster Silver, (Code NH700M)	#.3	71126-SWA-J31ZG	\$57.10
Crystal Black, (Code NH731P)	#.3	71126-SWA-J31ZH	\$57.10
Glacier Blue, (Code B538M)	#.3	71126-SWA-J31ZC	\$57.10
Opal Sage, (Code G532M)	#.3	71126-SWA-J31ZD	\$57.10
Polished Metal, (Code NH737M)	#.3	71126-SWA-J31ZJ	\$57.10
Royal Blue, (Code B536P)	#.3	71126-SWA-J31ZB	\$57.10
Taffeta White, (Code NH578)	#.3	71126-SWA-J31ZE	\$57.10
Tango Red, (Code R525P)	#.3	71126-SWA-J31ZK	\$57.10
Paint to Match	#.3	71126-SWA-J41	\$48.32

USA Built

Alabaster Silver, (Code NH700M)	#.3	71126-SXS-A01ZE	\$18.17
Crystal Black, (Code NH731P)	#.3	71126-SXS-A01ZF	\$18.17
Glacier Blue, (Code B538M)	#.3	71126-SXS-A01ZB	\$18.17
Opal Sage, (Code G532M)	#.3	71126-SXS-A01ZC	\$18.17
Polished Metal, (Code NH737M)	#.3	71126-SXS-A01ZG	\$18.17
Royal Blue, (Code B536P)	#.3	71126-SXS-A01ZA	\$18.17
Taffeta White, (Code NH578)	#.3	71126-SXS-A01ZD	\$18.17
Tango Red, (Code R525P)	#.3	71126-SXS-A01ZH	\$18.17
Urban Titanium, (Code YR578M)	#.3	71126-SXS-A01ZJ	\$18.17
Paint to Match	#.3	71126-SXS-A11	\$18.17

Mexico Built

Alabaster Silver, (Code NH700M)	#.3	71126-SXS-A01ZE	\$18.17
Crystal Black, (Code NH731P)	#.3	71126-SXS-A01ZF	\$18.17

2010 Honda CR-V EX-L Utility

Glacier Blue, (Code B538M)		#.3	71126-SXS-A01ZB	\$18.17
Opal Sage, (Code G532M)		#.3	71126-SXS-A01ZC	\$18.17
Polished Metal, (Code NH737M)		#.3	71126-SXS-A01ZG	\$18.17
Taffeta White, (Code NH578)		#.3	71126-SXS-A01ZD	\$18.17
Tango Red, (Code R525P)		#.3	71126-SXS-A01ZH	\$18.17
Urban Titanium, (Code YR578M)		#.3	71126-SXS-A01ZJ	\$18.17
Paint to Match		#.3	71126-SXS-A11	\$18.17
4 Center Upper				
Japan Built	R	#.3	71125-SWA-J31	\$40.23
	L	#.3	71175-SWA-J31	\$40.25
USA, Mexico Built	R	#.3	71125-SXS-A01	\$3.00
	L	#.3	71175-SXS-A01	\$65.25
5 Center Lower				
Japan Built				
Alabaster Silver, (Code NH700M)	R	#.3	71124-SWA-J31ZG	\$56.82
	L	#.3	71174-SWA-J31ZG	\$56.82
Crystal Black, (Code NH731P)	R	#.3	71124-SWA-J31ZH	\$56.82
	L	#.3	71174-SWA-J31ZH	\$56.82
Glacier Blue, (Code B538M)	R	#.3	71124-SWA-J31ZC	\$56.82
	L	#.3	71174-SWA-J31ZC	\$56.82
Opal Sage, (Code G532M)	R	#.3	71124-SWA-J31ZD	\$56.82
	L	#.3	71174-SWA-J31ZD	\$56.82
Polished Metal, (Code NH737M)	R	#.3	71124-SWA-J31ZJ	\$56.82
	L	#.3	71174-SWA-J31ZJ	\$56.82
Royal Blue, (Code B536P)	R	#.3	71124-SWA-J31ZB	\$56.82
	L	#.3	71174-SWA-J31ZB	\$56.82
Taffeta White, (Code NH578)	R	#.3	71124-SWA-J31ZE	\$56.82
	L	#.3	71174-SWA-J31ZE	\$56.82
Tango Red, (Code R525P)	R	#.3	71124-SWA-J31ZK	\$56.82
	L	#.3	71174-SWA-J31ZK	\$56.82
Paint to Match	R	#.3	71124-SWA-J41	\$26.37

2010 Honda CR-V EX-L Utility

	L	#.3	71174-SWA-J41	\$26.53
USA, Mexico Built				
	R	#.3	71124-SXS-A01ZE	\$65.25
Alabaster Silver, (Code NH700M)				
	L	#.3	71174-SXS-A01ZE	\$65.25
	R	#.3	71124-SXS-A01ZF	\$65.25
Crystal Black, (Code NH731P)				
	L	#.3	71174-SXS-A01ZF	\$65.25
	R	#.3	71124-SXS-A01ZB	\$65.25
Glacier Blue, (Code B538M)				
	L	#.3	71174-SXS-A01ZB	\$65.25
	R	#.3	71124-SXS-A01ZC	\$65.25
Opal Sage, (Code G532M)				
	L	#.3	71174-SXS-A01ZC	\$65.25
	R	#.3	71124-SXS-A01ZG	\$65.25
Polished Metal, (Code NH737M)				
	L	#.3	71174-SXS-A01ZG	\$65.25
	R	#.3	71124-SXS-A01ZA	\$65.25
Royal Blue, (Code B536P)				
	L	#.3	71174-SXS-A01ZA	\$65.25
	R	#.3	71124-SXS-A01ZD	\$65.25
Taffeta White, (Code NH578)				
	L	#.3	71174-SXS-A01ZD	\$65.25
	R	#.3	71124-SXS-A01ZH	\$9.93
Tango Red, (Code R525P)				
	L	#.3	71174-SXS-A01ZH	\$65.25
	R	#.3	71124-SXS-A01ZJ	\$65.25
Urban Titanium, (Code YR578M)				
	L	#.3	71174-SXS-A01ZJ	\$65.25
Paint to Match				
	R	#.3	71124-SXS-A11	\$5.05
	L	#.3	71174-SXS-A11	\$65.25
6 Lower				
Japan Built		#.3	71127-SWA-J31	\$95.95
USA, Mexico Built		#.3	71127-SXS-A01	\$18.17
#R&R Complete, Included in R&R Upper Grille				
7 Outer				
Japan Built				
EX, EX-L Model		#.2	71129-SWA-J31	\$67.92
LX Model		#.2	71129-SWA-J41	\$61.20
USA, Mexico Built				
EX, EX-L Model		#.2	71129-SXS-A01	\$3.00
LX Model		#.2	71129-SXS-A11	\$11.45

2010 Honda CR-V EX-L Utility

#Included in R&R Lower Grille

8 Emblem, "H" (Adhesive)	.2	75700-TA0-A00	\$31.68
9 Adapter, Emblem			
Japan Built	#.1	71122-SWA-J31	\$15.25
USA, Mexico Built	#.1	71122-SXS-A01	\$49.90
10 Base, Emblem			
Japan Built			
Alabaster Silver, (Code NH700M)	#.1	71128-SWA-J31ZG	\$35.22
Crystal Black, (Code NH731P)	#.1	71128-SWA-J31ZH	\$35.22
Glacier Blue, (Code B538M)	#.1	71128-SWA-J31ZC	\$35.22
Opal Sage, (Code G532M)	#.1	71128-SWA-J31ZD	\$35.22
Polished Metal, (Code NH737M)	#.1	71128-SWA-J31ZJ	\$35.22
Royal Blue, (Code B536P)	#.1	71128-SWA-J31ZB	\$35.22
Taffeta White, (Code NH578)	#.1	71128-SWA-J31ZE	\$35.22
Tango Red, (Code R525P)	#.1	71128-SWA-J31ZK	\$35.22
Paint to Match	#.1	71128-SWA-J41	\$17.10
USA Built			
Alabaster Silver, (Code NH700M)	#.1	71128-SXS-A01ZE	\$135.62
Crystal Black, (Code NH731P)	#.1	71128-SXS-A01ZF	\$135.62
Glacier Blue, (Code B538M)	#.1	71128-SXS-A01ZB	\$135.62
Opal Sage, (Code G532M)	#.1	71128-SXS-A01ZC	\$135.62
Polished Metal, (Code NH737M)	#.1	71128-SXS-A01ZG	\$135.62
Royal Blue, (Code B536P)	#.1	71128-SXS-A01ZA	\$135.62
Taffeta White, (Code NH578)	#.1	71128-SXS-A01ZD	\$135.62
Tango Red, (Code R525P)	#.1	71128-SXS-A01ZH	\$135.62
Urban Titanium, (Code YR578M)	#.1	71128-SXS-A01ZJ	\$135.62
Paint to Match	#.1	71128-SXS-A11	\$4.32

2010 Honda CR-V EX-L Utility

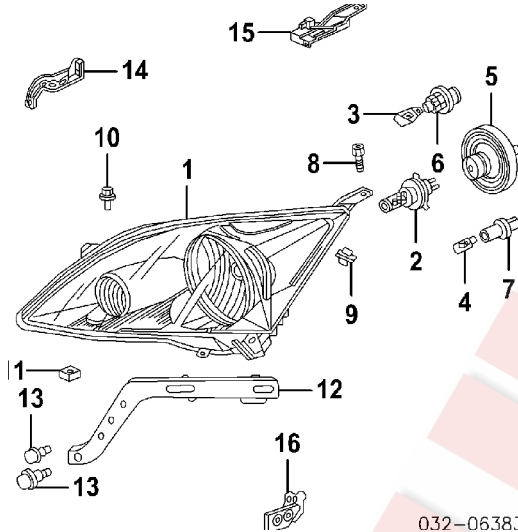
Mexico Built

Alabaster Silver, (Code NH700M)	#.1	71128-SXS-A01ZE	\$135.62
Crystal Black, (Code NH731P)	#.1	71128-SXS-A01ZF	\$135.62
Glacier Blue, (Code B538M)	#.1	71128-SXS-A01ZB	\$135.62
Opal Sage, (Code G532M)	#.1	71128-SXS-A01ZC	\$135.62
Polished Metal, (Code NH737M)	#.1	71128-SXS-A01ZG	\$135.62
Taffeta White, (Code NH578)	#.1	71128-SXS-A01ZD	\$135.62
Tango Red, (Code R525P)	#.1	71128-SXS-A01ZH	\$135.62
Urban Titanium, (Code YR578M)	#.1	71128-SXS-A01ZJ	\$135.62
Paint to Match	#.1	71128-SXS-A11	\$4.32
#R&R Complete, Included in R&R Upper Grille			
11 Cover Assy, Upper	.2	71141-SWA-000	\$19.38
12 Cushion, Hood (2)¶		74175-SJA-000	\$4.30

¶Included w/Upper Cover Assy

FRONT LAMPS

COMBINATION LAMP



Aim Lamps

R&I Combination Lamp Assy

R #1.7

L #1.7

#Includes R&I Front Bumper

NOTE: R&R Does Not include aim lamps.

1 Lamp, Combination (h)	R	#1.7	33101-SWA-A01	\$275.72
	L	#1.7	33151-SWA-A01	\$275.72

(h) Included w/Front Impact Kit-listed in Front Impact Kit Section

#Includes R&I Front Bumper

2 Bulb, Headlamp	R	#.2	33111-SR3-A01	\$10.27
	L	#.2	33111-SR3-A01	\$10.27
3 Bulb, Park Lamp	R	#.2	33303-S2R-003	\$4.65
	L	#.2	33303-S2R-003	\$4.65
4 Bulb, Signal	R	#.2	34901-SB0-671	\$1.42
	L	#.2	34901-SB0-671	\$1.42

#R&R One Side Complete, Included in R&I/R&R Combination Lamp

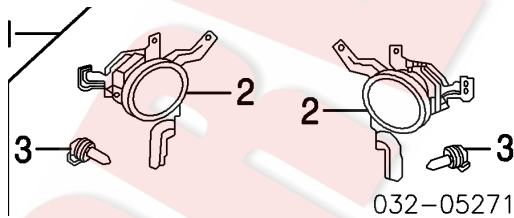
5 Cover, Headlamp Bulb	R		33126-SWA-A01	\$11.00
	L		33126-SWA-A01	\$11.00
6 Socket, Park Lamp	R		33303-SAA-003	\$9.17
	L		33303-SAA-003	\$9.17

2010 Honda CR-V EX-L Utility

7	Socket, Signal	R		33305-S5A-003	\$8.10
		L		33305-S5A-003	\$8.10
8	Screw, Tapping	R		90101-S5A-003	\$1.27
		L		90101-S5A-003	\$1.27
9	Grommet, Screw	R		90682-SDA-A01	\$0.43
		L		90682-SDA-A01	\$0.43
10	Bolt, Lamp (3/Side)	R		90109-SFE-000	\$1.42
		L		90109-SFE-000	\$1.42
11	Nut, Special	R		33105-S5N-C01	\$4.03
		L		33105-S5N-C01	\$4.03
12	Beam, Cover Side	R		71140-SXS-A00	\$23.13
		L		71190-SXS-A00	\$23.13
13	Bolt, Adjusting (2/Side)	R		90111-SM4-003	\$2.42
		L		90111-SM4-003	\$2.42
	Clip, Mounting¶	R		91505-S9A-003	\$2.12
		L		91505-S9A-003	\$2.12
	¶As Required Hardware Kit				
14	Upper Front	R	#.2	06100-SWA-A11	\$12.35
		L	#.2	06150-SWA-A11	\$12.35
15	Upper Rear	R	#.2	06100-SWA-A01	\$10.20
		L	#.2	06150-SWA-A01	\$10.20
16	Lower	R	#.2	06100-SWA-A21	\$13.80
		L	#.2	06150-SWA-A21	\$13.80

#w/Combination Lamp Removed, R&R One Side Complete
.4

**FOG LAMP
DEALER INSTALLED**



Aim Fog Lamps

R&I Fog Lamp

R&R Fog Lamp

				.3
R	#.2			
L	#.2			
R	#.2			
L	#.2			

#w/Engine Under Cover Removed, Included in R&R or O/H Front Bumper Cover

NOTE: R&I/R&R Does Not include aim lamps.

2010 Honda CR-V EX-L Utility

1 Lamp Kit, Fog				
2007-09			#	08V31-SWA-100 \$326.63
		2010		
Self-Activating			#	08V31-SWA-100A \$326.63
Non-Self Activating			#	08V31-SWA-100B \$326.63

#See Headnotes for Labor Time

2 Lamp, Fog¶				
2007-09			R #.2	08V31-SWA-1M001 \$109.55
			L #.2	08V31-SWA-1M002 \$109.55

#w/Engine Under Cover Removed, Included in R&R or O/H Front Bumper Cover

2010-Serviced w/Fog Lamp Kit

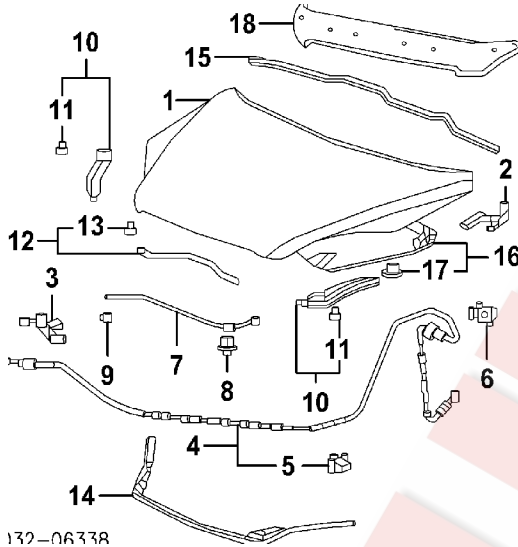
3 Bulb, Lamp¶			R #.2	33165-S5A-003 \$21.78
			L #.2	33165-S5A-003 \$21.78

¶Included w/Fog Lamp Kit

#w/Engine Under Cover Removed, Included in R&I/R&R Fog Lamp

HOOD

Procedures 4 and 28



132-06338

Refinish Hood Outside			2.7	
Add for Underside			1.3	
Refinish Hinge	R		.5	
	L		.5	
R&I Hood Assy			.5	
R&I Hood Protector		#.2		
#Not Included in R&R Hood				
1 Panel, Hood (HSS) (h)	07-0	1.0	60100-SWA-A90ZZ	\$398.80
	10	1.0	60100-SWA-A91ZZ	\$398.80
(h) Included w/Front Impact Kit-listed in Front Impact Kit Section				
2 Hinge, Hood	R	#.2	60120-SWA-000ZZ	\$15.55
	L	#.2	60170-SWA-000ZZ	\$19.43
#w/Hood & Cowl Top Panel Removed				
3 Lock, Hood				
2007-09				
EX, EX-L Model		#.3	74120-SWA-A11	\$65.85
LX Model		#.3	74120-SWA-A01	\$31.10
2010		#.3	74120-SWA-A12	\$52.25
#Includes R&R Upper Cover				
4 Cable Assy, Hood Release	07-0	#.4	74130-SWA-A01	\$9.27
	10	#.4	74130-SWA-A02	\$9.33

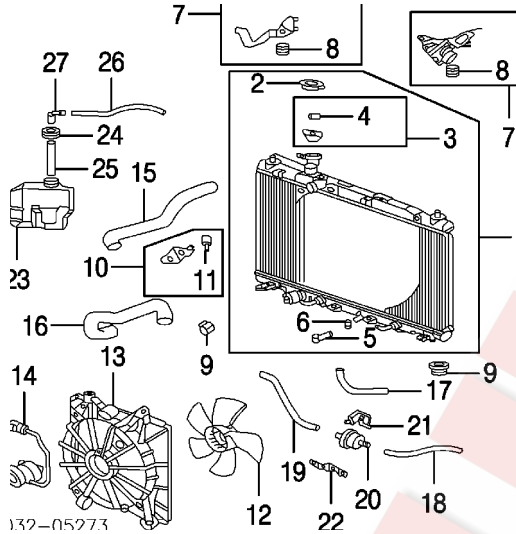
2010 Honda CR-V EX-L Utility

#w/Front Cover & Fender Liner Removed

5	Clip, Cable (5)¶			91504-SDA-003	\$0.88
	¶Included w/Hood Release Cable Assy				
6	Lever, Cable				
	Black	#.2		74135-SWA-A01ZB	\$11.53
	Gray	#.2		74135-SWA-A01ZA	\$11.53
	Ivory	#.2		74135-SWA-A01ZC	\$11.53
	#Included in R&R Cable				
7	Stay, Hood			74145-SWA-A00	\$7.87
8	Holder, Stay			90672-S5A-003	\$0.75
9	Grommet, Hood Stay			91604-S5A-003	\$0.97
10	Seal Assy, Hood Side	07-0 R	.1	74146-SWA-A00	\$15.60
		L	.1	74196-SWA-A00	\$15.60
11	Clip, Side Seal (6/Side) (a)	07-0 R		91518-SM4-003	\$2.47
		L		91518-SM4-003	\$2.47
	(a) Included w/Hood Side Seal Assy				
12	Seal Assy, Front	07-0	.1	74148-SWA-A00	\$31.58
13	Clip, Front Seal (6) (b)	07-09		91530-SP1-003	\$2.47
	(b) Included w/Front Seal Assy				
14	Seal, Hood				
	Japan Built	10	.2	74142-SWA-A00	\$19.58
	USA, Mexico Built	10	.2	74142-SXS-A00	\$10.13
15	Seal, Hood Rear-See Cowl & Dash Section				
16	Insulator Assy, Hood				
	Japan Built	07-0	.3	74141-SWA-A00	\$37.63
		10	.3	74141-SWA-A01	\$98.63
	USA Built	07-0	.3	74141-SXS-A00	\$37.63
		10	.3	74141-SXS-A01	\$111.92
	Mexico Built	08-0	.3	74141-SXS-A00	\$37.63
		10	.3	74141-SXS-A01	\$111.92
17	Clip, Insulator (11) (c)			91501-STK-003	\$0.23
	(c) Included w/Hood Insulator Assy				
18	Protector, Hood				
	Dealer Installed	#.2		08P47-SWA-100	\$152.77
	#Not Included in R&R Hood				

COOLING

Procedures 5 and 28



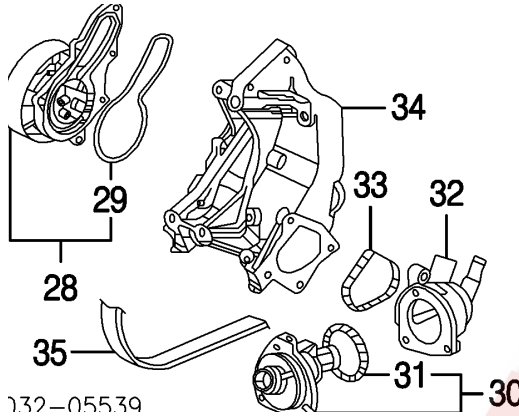
R&I Radiator Assy

Part Number	Description	Quantity	Part Number	Price
1	Radiator Assy	2.2		
	Japan Built	07-0	2.2 19010-RZA-A51	\$498.48
		10	2.2 19010-REZ-A51	\$498.48
	USA Built	07-0	2.2 19010-RZY-A51	\$382.18
		10	2.2 19010-R11-A51	\$498.48
	Mexico Built	08-0	2.2 19010-RZY-A51	\$382.18
		10	2.2 19010-R11-A51	\$498.48
2	Cover, Radiator Cap¶		19047-PLC-003	\$4.85
3	Cap Assy, Radiator¶		19045-RAA-003	\$14.30
4	Label, Radiator Cap (a)¶		19046-RAA-A00	\$2.27
	(a) Included w/Radiator Cap Assy			
5	Drain, Radiator¶		19011-PH1-621	\$5.78
6	Seal, Drain¶		19012-671-300	\$1.83
	¶Included w/Radiator Assy			
7	Bracket Assy, Radiator	07-0 R	74171-SWA-A00	\$13.32
		L	74176-SWA-A00	\$13.32
		10 R	74171-SWA-A01	\$13.50
		L	74176-SWA-A01	\$13.50
8	Cushion, Upper Mounting (b)	R	74173-SJ4-000	\$2.95
		L	74173-SJ4-000	\$2.95
	(b) Included w/Radiator Bracket Assy			
9	Cushion, Lower Mounting	07-0 R	74172-SS0-000	\$12.45
		L	74172-SS0-000	\$12.45

2010 Honda CR-V EX-L Utility

	10 R		74172-SWA-000	\$7.93
	L		74172-SWA-000	\$7.93
10 Sensor Assy, Temperature	#1.2		37870-RZA-007	\$32.78
#w/Radiator Removed Deduct .9				
11 O-Ring (c)			91307-RZA-007	\$1.87
(c) Included w/Temperature Sensor Assy				
12 Fan, Cooling	07-0 #1.5		19020-PNL-G01	\$41.59
	10 #1.5		19020-RSA-G01	\$54.72
13 Shroud, Fan	07-0 #1.5		19015-RZA-A01	\$62.70
	10 #1.5		19015-REZ-A01	\$105.27
14 Motor, Fan	07-0 #1.5		19030-RZA-A01	\$209.02
	10 #1.5		38616-RB0-003	\$182.28
#R&R Complete, Included in R&R Radiator				
15 Hose, Upper Radiator	07-0 #.7		19501-RZA-A01	\$17.80
	10 #.7		19501-REZ-A01	\$17.80
16 Hose, Lower Radiator				
Japan Built	#.9		19502-RZA-A01	\$22.10
USA Built	#.9		19505-RZY-A51	\$22.58
Mexico Built	08-1 #.9		19505-RZY-A51	\$22.58
#R&R Both 1.3				
Hose, Trans Fluid				
17 250mm	#1.1		25213-P24-J01	\$20.67
18 270mm	#1.1		25213-PAA-000	\$15.78
19 400mm	#1.1		25212-P8A-003	\$25.50
#R&R Complete, Includes R&R Filter				
20 Filter, Trans Fluid Hose	.9		25430-PLR-003	\$20.02
21 Bracket, Front Filter			25431-PLR-000	\$4.23
22 Bracket, Rear Filter			25432-RZA-000	\$5.55
23 Tank, Coolant	.5		19101-RZA-A00	\$6.70
24 Cap, Coolant Tank			19102-RNA-A00	\$0.32
25 Hose, Coolant Tank			19103-RZA-A00	\$2.43
26 Tube, Coolant Tank			19104-RZA-A00	\$1.10
27 Joint, Hose			19106-RSA-G00	\$0.57

2010 Honda CR-V EX-L Utility



	137-05539				
28	Pump Assy, Water	07-0	2.4	19200-RAA-A01	\$130.05
		10	2.4	19200-R40-A01	\$81.90
29	Gasket, Water Pump (d)			19222-RAA-A01	\$3.97
	(d) Included w/Water Pump Assy				
30	Thermostat Assy	#1.1		19301-RAF-004	\$43.07
31	Seal, Thermostat (e)				
	Fuji Seiko Brand	#1.1		19305-RAA-A01	\$3.80
	Nippon Brand	#1.1		19305-PNA-003	\$3.80
	(e) Included w/Thermostat Assy				
32	Housing, Thermostat				
	Fuji Seiko Brand	#1.1		19320-RAA-A01	\$37.33
	Nippon Brand	#1.1		19320-RAA-A02	\$37.33
	#R&R Complete				
33	Seal, Housing				
	Fuji Seiko Brand			19322-RAA-A01	\$3.80
	Nippon Brand			19322-PNA-003	\$3.80
34	Passage, Water				
	2007-09			19410-RAA-A00	\$83.52
		2010			
	Japan Built			19410-REZ-A10	\$120.92
	USA, Mexico Built			19410-REZ-A00	\$54.32
35	Belt, Drive	07-0	.7	38920-RBB-E03	\$44.98
		10	.7	56992-REZ-A01	\$37.98

2010 Honda CR-V EX-L Utility

A/C REFRIGERANT CAPACITIES

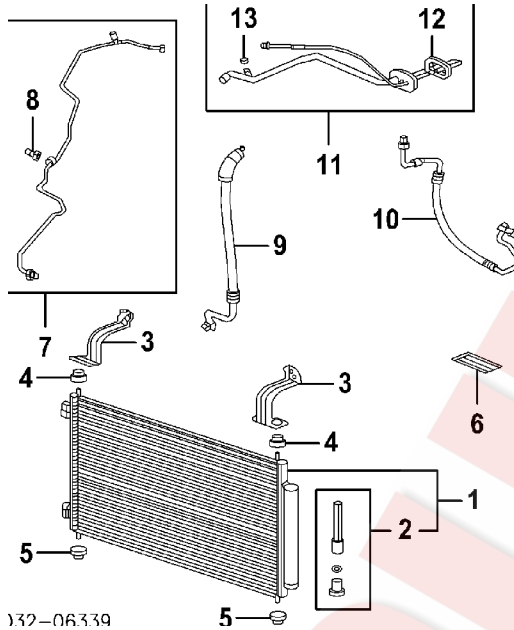
A/C R-134a Refrigerant Capacity

15.5-17.3 Ozs (0.97-1.08 Lbs), 440-490 g

CRVCLUB.RU

A/C HEATER/VENTILATION

Procedure 6



137-06339

R&I Condenser Assy

#1.0

#w/Bumper Assy Removed

Evacuate & Recharge System

1.4

Recover Refrigerant

.3

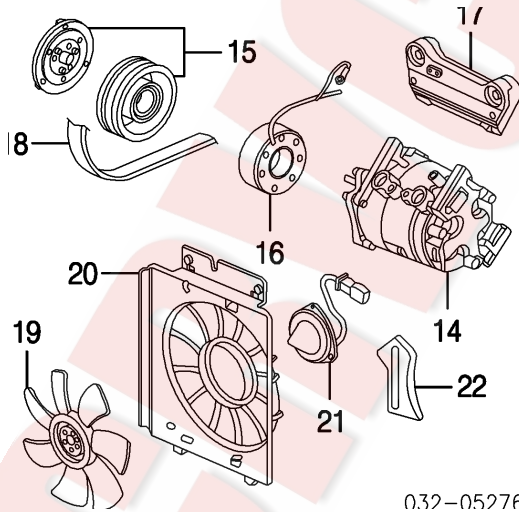
NOTE: R&I/R&R Does Not include recover, evacuate and recharge system.

1	Condenser Assy #w/Bumper Assy Removed	#1.0	80110-SWA-A01	\$524.47
2	Filter, Condenser (g) (g) Included w/Condenser Assy #w/Condenser Removed	#.3	80101-S9A-013	\$55.35
3	Bracket, Condenser	R	80111-SWA-000	\$6.23
		L	80112-SWA-000	\$6.23
4	Mount, Upper Condenser	R	80107-S2X-000	\$2.83
		L	80107-S2X-000	\$2.83
5	Mount, Lower Condenser	R	80175-SE0-000	\$3.45
		L	80175-SE0-000	\$3.45
6	Label, A/C-See Information Labels Section			
7	Pipe Assy, Receiver Japan Built	1.1	80341-SWA-A01	\$109.78
	USA Built	1.1	80341-SXS-A01	\$52.02

2010 Honda CR-V EX-L Utility

Mexico Built	08-1	1.1	80341-SXS-A01	\$52.02
8 Switch, Pressure¶		.5	80450-SFE-003	\$42.30
¶Included w/Receiver Pipe Assy				
9 Hose, Suction				
Japan Built		1.0	80311-SWA-A02	\$87.12
USA Built		1.0	80311-SXS-A01	\$52.30
Mexico Built	08-1	1.0	80311-SXS-A01	\$52.30
10 Hose, Discharge				
Japan Built		.8	80315-SWA-A02	\$101.58
USA Built		.8	80315-SXS-A01	\$101.58
Mexico Built	08-1	.8	80315-SXS-A01	\$101.58
11 Pipe Assy, A/C				
Japan Built		.8	80321-SWA-A01	\$100.97
USA Built		.8	80321-SXS-A01	\$39.58
Mexico Built	08-1	.8	80321-SXS-A01	\$39.58
12 Seal, A/C Pipe (a)			80325-SDA-A00	\$98.90
13 Cap, Valve				
Japan Built (a)			80866-SL0-003	\$8.93
USA Built			80866-SJC-A00	\$4.10
Mexico Built	08-10		80866-SJC-A00	\$4.10

(a) Included w/ A/C Pipe Assy



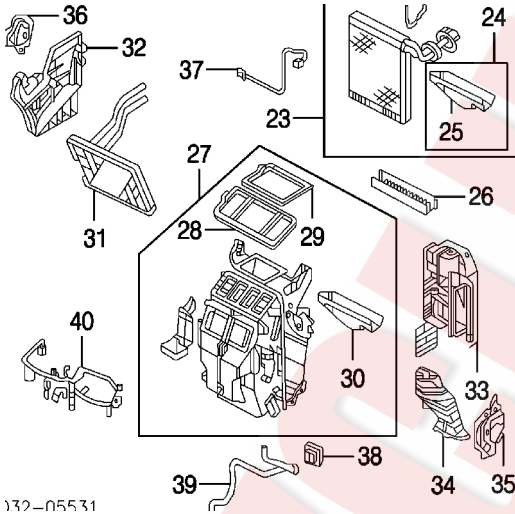
14 Compressor	#2.2	38810-RZY-A01	\$494.97
15 Clutch, Compressor	#2.2	38900-RZA-004	\$195.60
16 Coil, Compressor	#2.2	38924-RWC-A01	\$89.50
#R&R Complete			
17 Bracket, Compressor	#.2	38930-PNA-000	\$31.80
#w/Compressor Removed			

2010 Honda CR-V EX-L Utility

18 Belt, Drive-See Cooling Section

19 Fan, Cooling	#1.5	38611-PNA-003	\$38.07
20 Shroud, Fan	07-0 #1.5	38615-RZA-A01	\$58.92
	10 #1.5	38615-REZ-A01	\$42.22
21 Motor, Fan	07-0 #1.5	38616-RZA-A01	\$189.88
	10 #1.5	38616-REZ-A01	\$175.42
22 Protector, Motor	#1.5	38619-PPD-003	\$12.47

#R&R Complete, Included in R&R Radiator



23 Evaporator Assy	#1.8	80211-SWA-A03	\$312.78
#Includes R&R Blower Motor			
24 Valve Assy, Expansion (b)		80221-SWA-A02	\$70.43
25 Insulator, Evaporator (b) (c)		79109-SNA-A01	\$3.77
(c) Included w/Expansion Valve Assy			
(b) Included w/Evaporator Assy			
26 Plate, Evaporator		79108-SVA-A01	\$2.77
27 Housing Assy, Heater			
Japan Built	#2.1	79106-SWA-A01	\$243.93
USA Built			
EX, LX Model	#2.1	79106-SXS-A01	\$118.17
EX-L Model	#2.1	79106-SXS-A41	\$108.18
Mexico Built	08-1 #2.1	79106-SXS-A41	\$108.18

2010 Honda CR-V EX-L Utility

#w/Instrument Panel Removed, Includes R&R Evaporator Assy

28 Gasket, Vent (d)		79103-SWA-A41	\$4.60
29 Gasket, Housing (d)		79104-SNA-A01	\$0.62
30 Insulator, Lower (d)		79109-SNA-A01	\$3.77

(d) Included w/Heater Housing Assy

31 Core, Heater	#2.6	79110-SNE-A01	\$83.40
-----------------	------	---------------	---------

#w/Instrument Panel Removed

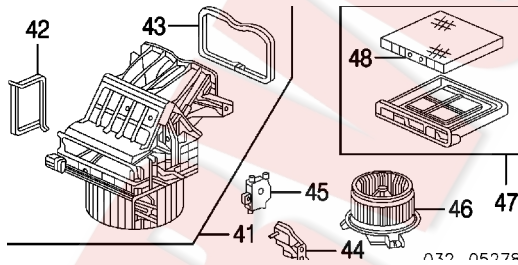
32 Cover, Heater		79107-SWA-A01	\$10.15
33 Joint, Duct		79308-SVA-A01	\$10.30
34 Duct, Heater		79102-SWA-A01	\$12.60
35 Motor, Mode	#.6	79140-SWA-A01	\$67.28
36 Motor, Air Mix	#.6	79160-SNE-A01	\$43.00

#w/Glove Box Removed

37 Thermistor, A/C	#.3	80560-SWA-A01	\$21.28
38 Transistor, Power	#.4	79330-SNA-A01	\$42.23

#w/Instrument Panel Removed

39 Hose, Drain		80271-SWA-A00	\$18.23
40 Harness, A/C			
EX, LX Model		80650-SWA-A00	\$68.92
EX-L Model		80650-SWA-A40	\$72.35



41 Blower Assy			
EX, LX Model	#1.3	79305-SWA-A01	\$63.20
EX-L Model	#1.3	79305-SWA-A41	\$180.30

#w/Glove Box Removed

42 Seal, Blower (e)		79306-SNA-A01	\$1.12
43 Gasket, Air Intake (e)		79307-STK-A41	\$0.87

(e) Included w/Blower Assy

44 Bracket, Blower		79021-SWA-A00	\$5.87
45 Motor, Recirculating	#.4	79350-SNA-A01	\$70.85
46 Motor, Blower	#.6	79310-STK-A41	\$41.97

#w/Glove Box Removed

2010 Honda CR-V EX-L Utility

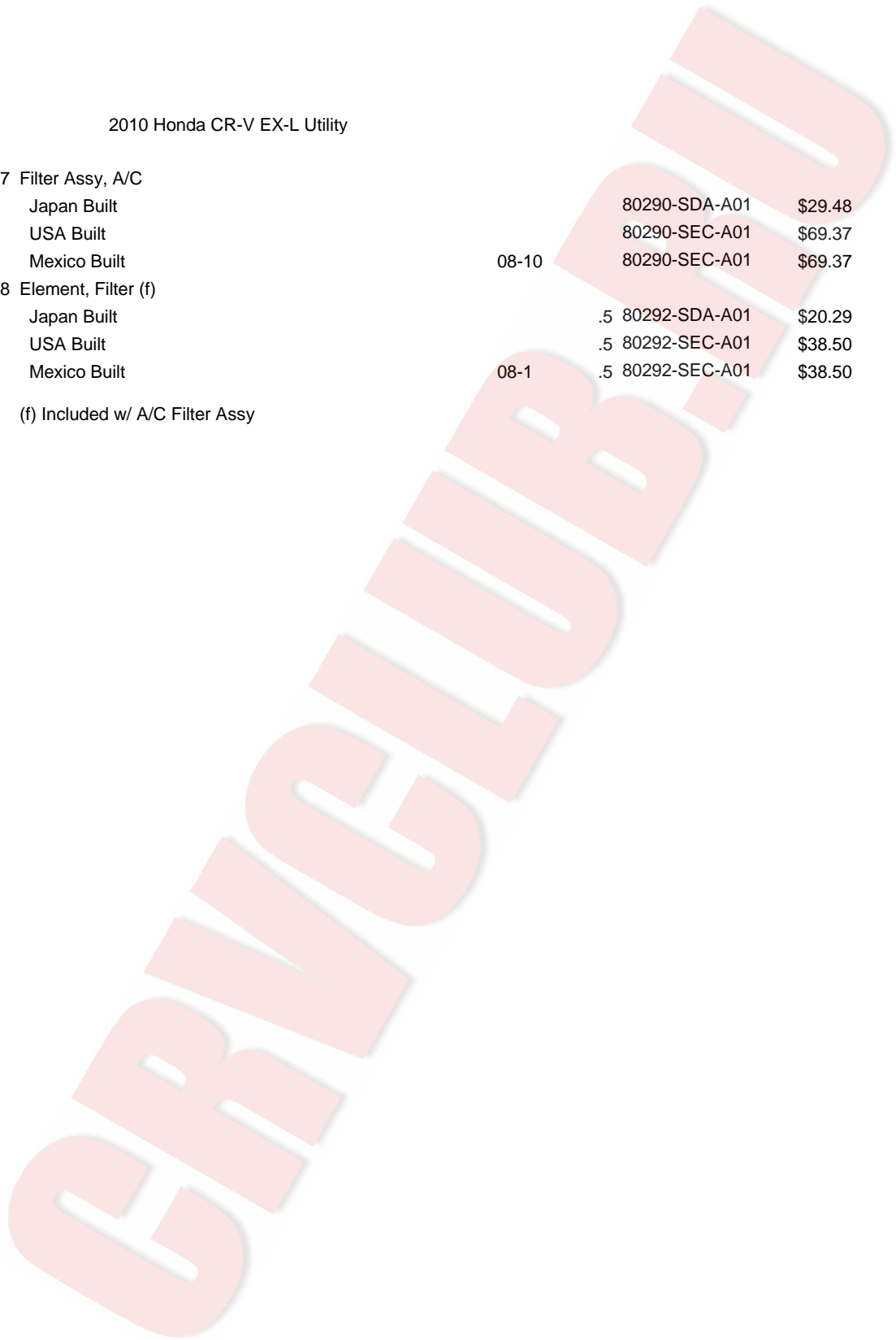
47 Filter Assy, A/C

Japan Built		80290-SDA-A01	\$29.48
USA Built		80290-SEC-A01	\$69.37
Mexico Built	08-10	80290-SEC-A01	\$69.37

48 Element, Filter (f)

Japan Built		.5 80292-SDA-A01	\$20.29
USA Built		.5 80292-SEC-A01	\$38.50
Mexico Built	08-1	.5 80292-SEC-A01	\$38.50

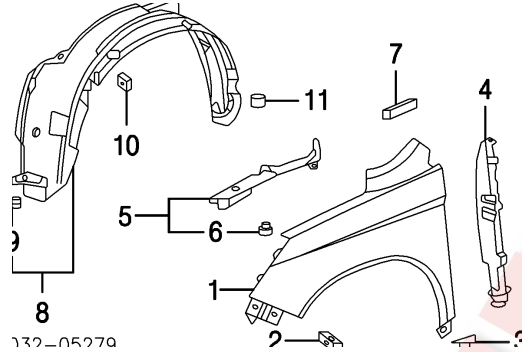
(f) Included w/ A/C Filter Assy



FRONT FENDER

Procedures 7 and 28

SHEET METAL



Refinish Fender Outside

R 2.1

L 2.1

Add to Edge

R .5

L .5

R&I Fender Assy

R #2.5

L #2.5

#Includes R&I Front Bumper & R&I/R&R Combination Lamp & Wheel Opening Midg Assy

Add to R&I/R&R Fender
w/Mudguards

R .2

L .2

1 Fender (h)

R #2.7 60211-SWA-A91ZZ \$285.53

L #2.7 60261-SWA-A91ZZ \$285.53

(h) Included w/Front Impact Kit-listed in Front Impact Kit Section

#Includes R&I Front Bumper & R&I/R&R Combination Lamp & Wheel Opening Midg Assy

2 Stay, Front Fender R 60212-SWA-A00ZZ \$7.65

L 60262-SWA-A00ZZ \$7.65

3 Stay, Rear Fender R 60213-SWA-A00ZZ \$7.65

L 60263-SWA-A00ZZ \$7.65

4 Panel, Closure R 74105-SWA-A00 \$10.45

L 74155-SWA-A00 \$10.45

5 Garnish Assy, Fender R #.1 74206-SWA-A00 \$6.38

L #.1 74207-SWA-A00 \$7.25

#Included in R&I/R&R Fender

6 Clip, Garnish (2/Side)¶ R 91560-S04-003 \$2.23

L 91560-S04-003 \$2.23

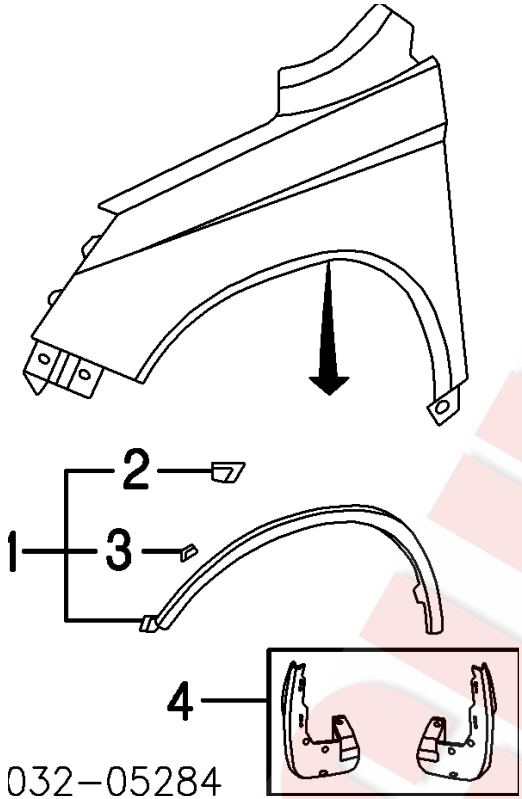
2010 Honda CR-V EX-L Utility

¶ Included w/Fender Garnish Assy

7 Seal, Upper Fender	R		91617-SLJ-000	\$3.73
	L		91617-SLJ-000	\$3.73
8 Liner Assy, Fender				
Japan Built	07-0	R	.4 74100-SXS-A00	\$39.88
		L	.4 74150-SXS-A00	\$39.88
	10	R	.4 74100-SWA-A01	\$76.78
		L	.4 74150-SWA-A01	\$76.78
USA Built	07-0	R	.4 74100-SXS-A00	\$39.88
		L	.4 74150-SXS-A00	\$39.88
	10	R	.4 74100-SXS-A10	\$36.72
		L	.4 74150-SXS-A10	\$25.42
Mexico Built	08-0	R	.4 74100-SXS-A00	\$39.88
		L	.4 74150-SXS-A00	\$39.88
	10	R	.4 74100-SXS-A10	\$36.72
		L	.4 74150-SXS-A10	\$25.42
9 Nut, Clip (a)	R		90305-SM4-003	\$2.30
	L		90305-SM4-003	\$2.30
(a) Included w/Fender Liner Assy				
10 Clip, Fender (6/Side)	R		91501-S04-003	\$1.33
	L		91501-S04-003	\$1.33
11 Grommet, Liner (2/Side)	R		90682-SB0-003	\$0.22
	L		90682-SB0-003	\$0.22

EXTERIOR TRIM

2010 Honda CR-V EX-L Utility



032-05284

R&I Wheel Opening Moulding Assy	R	.2		
	L	.2		
R&I Mudguard	R	.2		
	L	.2		
R&R Mudguard	R	.2		
	L	.2		
1 Moulding Assy, Wheel Opening				
Japan Built	R	.2	74115-SXS-A00	\$25.05
	L	.2	74165-SXS-A00	\$25.05
USA Built	R	.2	74115-SXS-A00	\$25.05
	L	.2	74165-SXS-A00	\$25.05
Mexico Built	08-1 R	.2	74115-SWW-G00	\$127.11
	L	.2	74165-SWW-G00	\$127.11
			74118-SWA-000	
2 Spacer, Wheel Opening Mldg (b)	R			\$1.65
	L		74118-SWA-000	\$1.65
3 Clip, Moulding (6/Side) (b)	R		91513-SMG-E11	\$2.00
	L		91513-SMG-E11	\$2.00

2010 Honda CR-V EX-L Utility

(b) Included w/Wheel Opening Moulding Assy

4 Mudguard Set (c)

Dealer Installed

08P08-SWA-100 \$64.32

(c) Includes Right & Left Side

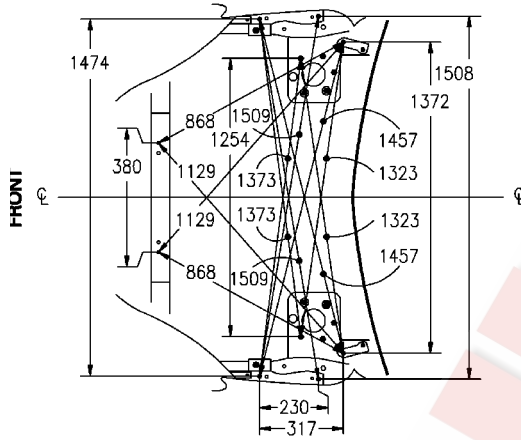
#See Headnotes for Labor Time

CRV CLUB BRU

2010 Honda CR-V EX-L Utility

UNDERHOOD DIMENSIONS

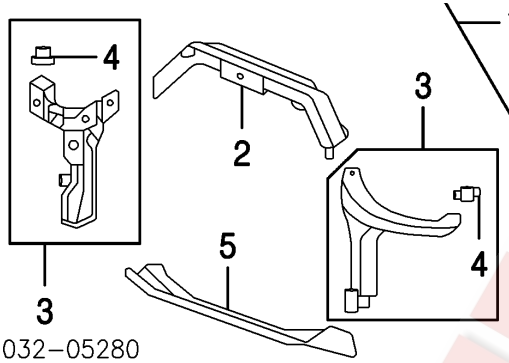
061-40316



FRONT INNER STRUCTURE

Procedures 8 and 28

FRONT



032-05280

Refinish Radiator Support Assy		1.5	
Refinish Upper Tie Bar		.5	
Refinish Side Support Panel	R	.5	
	L	.5	
Refinish Lower Tie Bar		.5	
Add to R&R Radiator Support Assy			
To R&I/R&R Base Model Mechanical Components		#1.0	
#Includes R&I/R&R A/C Condenser & Air Bag Front Sensors			
To Aim Lamps		.4	
Evacuate & Recharge System		1.4	
Recover Refrigerant		.3	
1 Support Assy, Radiator	07-0 #9.0	60400-SXS-A00ZZ	\$330.78
	10 #9.0	60400-SWA-A01ZZ	\$328.53
#Includes R&I/R&R Combination Lamps, R&R Hood Lock, Horns, Radiator, Lower Fluid Tank Assy, Front Air Intake Tube, Engine Under Cover, Cooling Fan, Motor & Shroud as an Assembly & Disconnect & Connect Hood Release Cable Wiring &/or Harness as Necessary			
2 Bar, Upper Tie			
2007-09			
Japan Built		.4	04602-SWA-A00ZZ \$97.32
USA, Mexico Built		.4	04602-SXS-A00ZZ \$116.50
		.4	04602-SWA-A01ZZ \$113.52

2010 Honda CR-V EX-L Utility

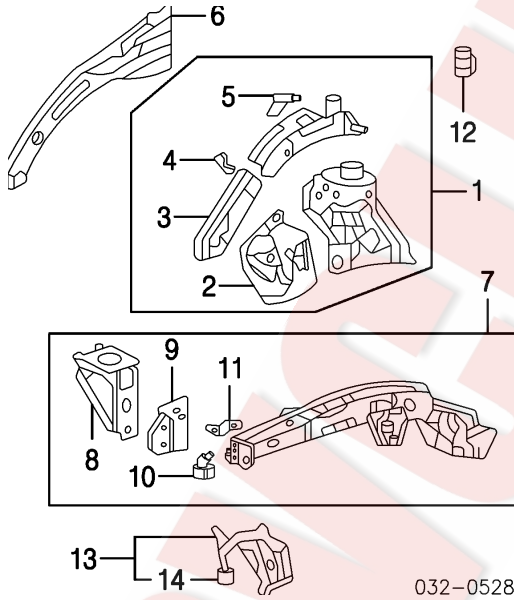
3 Panel Assy, Side Support¶	07-0 R	2.0	04601-SWA-A01ZZ	\$97.03
	L	2.0	04611-SWA-A01ZZ	\$97.03
4 Bracket, Fender (a)¶	10 R	2.0	04601-SWA-A01ZZ	\$97.03
	L	2.0	04611-SWA-A01ZZ	\$97.03
4 Bracket, Fender (a)¶	R	.3	60438-SWA-A00ZZ	\$7.75
	L	.3	60488-SWA-A00ZZ	\$7.75

(a) Included w/Side Support Panel Assy

5 Bar, Lower Tie (HSS)¶	3.0	04603-SWA-A00ZZ	\$88.02
-------------------------	-----	-----------------	---------

¶Included w/Radiator Support Assy

SIDE



Refinish Apron & Sidemember Assy	R	1.5		
	L	1.5		
Refinish Apron Panel Assy	R	1.0		
	L	1.0		
Refinish Front Apron Panel	R	.5		
	L	.5		
Refinish Sidemember Assy	R	1.0		
	L	1.0		
1 Panel Assy, Apron Japan Built	R	6.0	60650-SWA-305ZZ	\$281.08
	L	6.0	60750-SWA-305ZZ	\$236.68

2010 Honda CR-V EX-L Utility

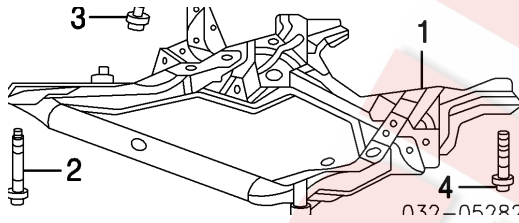
USA Built	R	6.0	60650-SXS-305ZZ	\$183.88
	L	6.0	60750-SXS-305ZZ	\$153.40
Mexico Built	08-1 R	6.0	60650-SXS-305ZZ	\$183.88
	L	6.0	60750-SXS-305ZZ	\$153.40
2 Panel, Front Apron¶				
Japan Built	R	#3.5	04642-SWA-A00ZZ	\$73.97
	L	#3.5	04652-SWA-A00ZZ	\$73.97
USA Built	R	#3.5	04642-SXS-A00ZZ	\$49.33
	L	#3.5	04652-SXS-A00ZZ	\$51.00
Mexico Built	08-1 R	#3.5	04642-SXS-A00ZZ	\$49.33
	L	#3.5	04652-SXS-A00ZZ	\$51.00
#w/Apron Extension Removed				
3 Extension, Apron¶	R	1.5	60613-SWA-A00ZZ	\$25.07
	L	1.5	60713-SWA-A00ZZ	\$25.07
4 Bulkhead, Front¶	R	.5	60615-STK-A00ZZ	\$5.07
	L	.5	60715-STK-A00ZZ	\$5.07
5 Bracket, Fender¶	R	.3	60655-SWA-A00ZZ	\$7.75
	L	.3	60755-SWA-A00ZZ	\$7.75
¶Included w/Apron Panel Assy				
6 Reinforcement, Apron				
Japan Built	R	3.0	60614-SWA-A00ZZ	\$56.51
	L	3.0	60714-SWA-A00ZZ	\$56.51
USA Built	R	3.0	60614-SXS-A00ZZ	\$33.91
	L	3.0	60714-SXS-A00ZZ	\$33.42
Mexico Built	08-1 R	3.0	60614-SXS-A00ZZ	\$33.91
	L	3.0	60714-SXS-A00ZZ	\$33.42
7 Sidemember Assy (HSS)				
Japan Built	R	#8.0	60810-SWA-A00ZZ	\$449.07
	L	#8.0	60910-SXS-A00ZZ	\$495.87
USA Built	R	#8.0	60810-SWA-A00ZZ	\$449.07
	L	#8.0	60910-SXS-A00ZZ	\$495.87
Mexico Built	08-1 R	#8.0	60810-SWA-A00ZZ	\$449.07
	L	#8.0	60910-SXS-A00ZZ	\$495.87
#w/Radiator Support Assy Removed Deduct .5, w/Apron Panel Assy Removed Deduct 2.0				
8 Extension, Front Sidemember (a)	R	2.5	04608-SWA-A00ZZ	\$36.75
	L	2.5	04609-SWA-A00ZZ	\$36.75
9 Bracket, Sub-Frame (a)	R	.5	04606-SWA-A00ZZ	\$40.68
	L	.5	04616-SWA-A00ZZ	\$40.68
10 Bracket, Bumper Reinforcement (a)	R	.3	60819-SWA-A00ZZ	\$10.33
	L	.3	60919-SWA-A00ZZ	\$10.33

2010 Honda CR-V EX-L Utility

11	Stiffener, Sidemember (a)	R	.3	60825-SWA-A00ZZ	\$6.87
		L	.3	60925-SWA-A00ZZ	\$7.10
	(a) Included w/Sidemember Assy				
12	Gusset, Apron	R	.2	60659-SWA-A01	\$7.67
		L	.2	60759-SWA-A01	\$7.67
13	Support Assy, Battery				
	Japan Built	L	#.5	60630-SWA-A01ZZ	\$64.03
	USA Built	L	#.5	60630-SXS-A01ZZ	\$17.12
	Mexico Built	L	#.5	60630-SXS-A01ZZ	\$17.12
	#w/Battery Removed				
14	Clip, Retainer (b)	L		70546-634-310ZZ	\$2.85

(b) Included w/Battery Support Assy

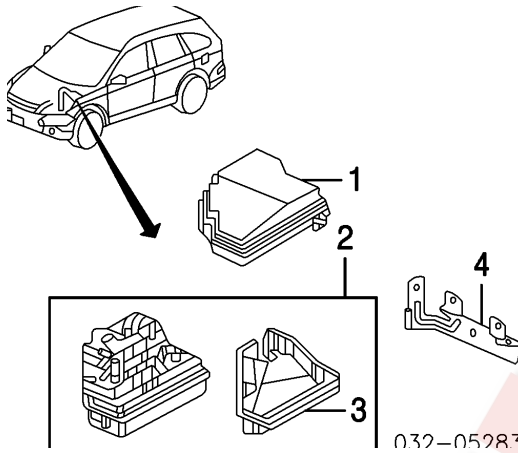
SUB-FRAME



1	Sub-Frame				
	2007-09			4.7	50200-SWA-A70 \$771.80
					2010
	Japan Built			4.7	50200-SWA-A61 \$780.53
	USA, Mexico Built			4.7	50200-SXS-A70 \$783.70
	Bolt, Sub-Frame				
2	No. 1, (2/Side)	R		90175-S5A-000	\$6.80
		L		90175-S5A-000	\$6.80
3	No. 2				
	Japan Built	R		90168-S5A-000	\$1.10
		L		90168-S5A-000	\$1.10
	USA Built	R		90182-S2H-000	\$1.88
		L		90182-S2H-000	\$1.88
	Mexico Built	08-1 R		90182-S2H-000	\$1.88
		L		90182-S2H-000	\$1.88
4	No. 3	07 R		90181-SMJ-E00	\$4.88
		L		90181-SMJ-E00	\$4.88
		08-1 R		90163-SWE-T00	\$7.32
		L		90163-SWE-T00	\$7.32

ELECTRICAL COMPONENTS

2010 Honda CR-V EX-L Utility



1	Cover, Upper Relay Box	38256-SWA-A01	\$8.37
2	Box Assy, Relay	38250-SWA-013	\$75.82
3	Cover, Lower [¶]	38257-SNA-A02	\$4.10
	[¶] Included w/Relay Box Assy		
4	Bracket, Relay Box	38251-SWA-000	\$5.30
	Harness, Front Wiring		
	EX, EX-L Model	32100-SWA-A10	\$127.05
	LX Model	32100-SWA-A00	\$58.52
	Wiring, Lamp-Serviced w/Front Wiring Harness		

AIR BAG SYSTEM

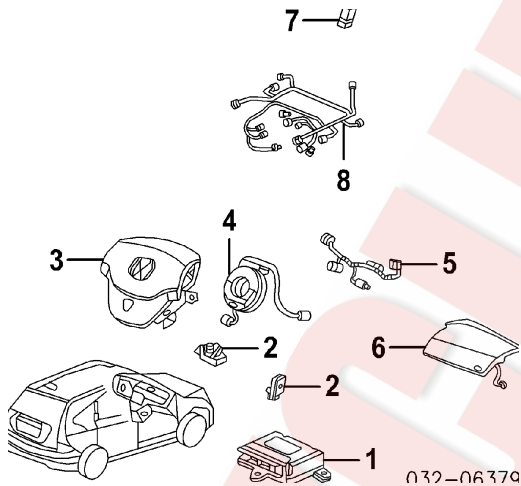
Procedure 30

NOTE 1: R&R Does Not include disable and enable or diagnose Air Bag System.

NOTE 2: Refer to Procedural Explanation 30 for Supplemental Restraint/Air Bag System Component Inspection and Replacement Information.

NOTE 3: For Air Bag System Service procedures, refer to Manufacturer's Service Repair Manual or Mitchell's Air Bag Service and Repair Manual.

FRONT



Disable & Enable Air Bag System

.3

Diagnose Air Bag System (If Required)

#.5

#Includes Disconnect & Connect Scan Tool & Retrieve/Clear Trouble Codes

1 Control Unit, SRS (h)	07-0	.5	77960-SWA-A21	\$631.80
	10	.5	77960-SWA-A22	\$724.35

(h) Included w/Front Impact Kit-listed in Front Impact Kit Section

2 Sensor, Front Air Bag	R	#.5	77930-SWA-A11	\$78.93
	L	#.5	77930-SWA-A11	\$78.93

#w/Bumper Cover Assy Removed, R&R Both .8

3 Module, Driver Air Bag (h)	07-0	.4	77810-SWA-A81ZA	\$734.66
	10	.4	77810-SWA-A70ZA	\$734.66

4 Reel, Cable

2010 Honda CR-V EX-L Utility

Japan Built			
w/Navigation System		1.0 77900-STK-A02	\$56.08
w/o Navigation System		1.0 77900-SWA-A62	\$176.35
USA Built			
w/Navigation System	07-0	1.0 77900-STK-A02	\$56.08
	09-1	1.0 77900-SWA-A81	\$40.00
w/o Navigation System		1.0 77900-SWA-A81	\$40.00
Mexico Built	08-1	1.0 77900-SWA-A81	\$40.00

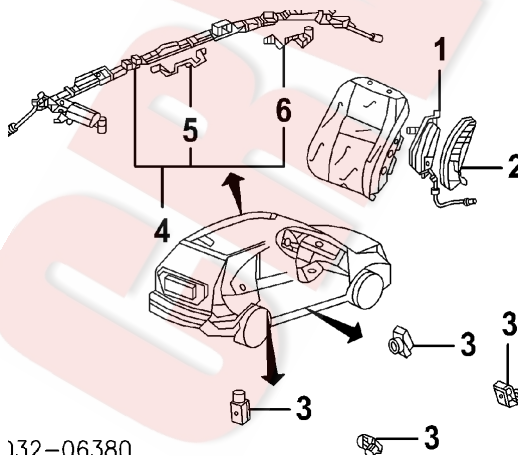
(h) Included w/Front Impact Kit-listed in Front Impact Kit Section

5 Harness, Cable Reel			
EX Model		77901-SWA-A10	\$3.00
EX-L Model			
w/Navigation System	07-09	77901-SWA-A20	\$30.87
	10	77901-SWA-G20	\$43.38
w/o Navigation System		77901-SWA-A10	\$3.00
LX Model		77901-SWA-A00	\$13.70
6 Module, Passenger Air Bag		.8 77820-SWA-A80ZA	\$951.51
7 Sensor, OPDS			
Passenger Side	#.6	81169-SWA-A01	\$162.07
8 Harness, OPDS			
Passenger Side	#.6	81162-SWA-A01	\$65.80

#R&R Complete, w/Front Seat Assy Removed

Pretensioner, Seat Belt-See Seat Belts Section

SIDE



2010 Honda CR-V EX-L Utility

Diagnose Air Bag System (If Required)

#.5

#Includes Disconnect & Connect Scan Tool & Retrieve/Clear Trouble Codes

Add to Initialize Occupant Detection ECU

.3

1 Module, Seat Air Bag

Man Seats

Passenger Side	#.5	78050-SWA-A70	\$296.15
Driver Side	#.5	78055-SWA-A70	\$296.15
Pwr Seats			
Passenger Side	#.5	78050-SWA-A70	\$296.15
Driver Side	#.5	78055-SWA-A80	\$296.15

#w/Front Seat Assy Removed

2 Holder, Module

R		81160-SNA-A01	\$24.02
L		81560-SNA-A01	\$24.02

3 Sensor, Side Impact

Front	R	#.4	77970-SWA-A11	\$78.93
	L	#.4	77970-SWA-A11	\$78.93

#w/Seat & Center Pillar Lower Trim Panel Removed

Rear	R	#.4	77970-SWA-A11	\$78.93
	L	#.4	77970-SWA-A11	\$78.93

#w/Lower Quarter Trim Removed

4 Module Assy, Side Curtain Air Bag

Japan Built

EX, EX-L Model	R	#.8	78870-SWA-A90	\$537.11
	L	#.8	78875-SWA-A90	\$537.11
LX Model	R	#.8	78870-SWA-A80	\$537.11
	L	#.8	78875-SWA-A80	\$537.11

USA Built

EX, EX-L Model	R	#.8	78870-SWA-L90	\$537.11
	L	#.8	78875-SWA-L90	\$537.11
LX Model	R	#.8	78870-SWA-L80	\$537.11
	L	#.8	78875-SWA-L80	\$537.11

Mexico Built

EX Model	08-1 R	#.8	78870-SWA-L90	\$537.11
	L	#.8	78875-SWA-L90	\$537.11
LX Model	08-1 R	#.8	78870-SWA-L80	\$537.11
	L	#.8	78875-SWA-L80	\$537.11

#w/Headliner Removed

2010 Honda CR-V EX-L Utility

5 Bracket, Assist Grip Front¶

EX, EX-L Model

R 83241-SWA-A80 \$8.85

L 83241-SWA-A80 \$8.85

LX Model

R 83241-SWA-A30 \$8.85

L 83241-SWA-A30 \$8.85

6 Bracket, Assist Grip Rear¶

EX, EX-L Model

R 83242-SWA-A80 \$8.85

L 83242-SWA-A80 \$8.85

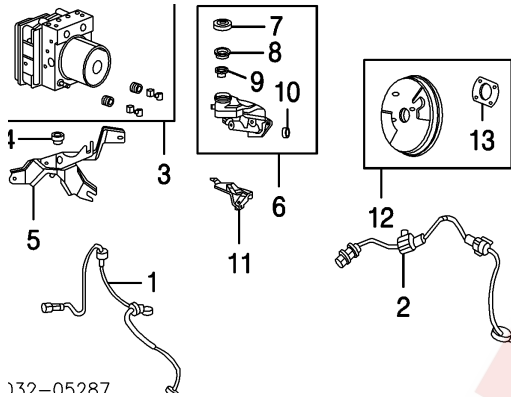
LX Model

R 83242-SWA-A30 \$8.85

L 83242-SWA-A30 \$8.85

¶Included w/Side Curtain Air Bag Module Assy

ABS/BRAKES



132-05287

Bleed Brake System

.6

NOTE: R&R Does Not include bleed brake system.

1 Sensor, Front ABS					
Japan Built	07-0	R	#.7	57450-SWA-013	\$92.42
		L	#.7	57455-SWA-013	\$92.42
	10	R	#.7	57450-SWA-013	\$92.42
		L	#.7	57455-SWA-013	\$92.42
USA Built		R	#.7	57450-SXS-003	\$24.92
		L	#.7	57455-SXS-003	\$24.92
Mexico Built	08-1	R	#.7	57450-SXS-003	\$24.92
		L	#.7	57455-SXS-003	\$24.92
#R&R Both 1.2					
2 Sensor, Rear ABS					
Japan Built	07-0	R	.8	57470-SWA-003	\$92.42
		L	.8	57475-SWA-003	\$120.77
	10	R	.8	57470-SWA-013	\$92.42
		L	.8	57475-SWA-013	\$120.77
USA Built		R	.8	57470-SXS-003	\$26.02
		L	.8	57475-SXS-003	\$31.05
Mexico Built	08-1	R	.8	57470-SXS-003	\$26.02
		L	.8	57475-SXS-003	\$31.05
3 Modulator, ABS					
Japan Built					
2WD	07-0		1.1	57111-SWB-A00	\$1,680.20
	10		1.1	57111-SWB-A60	\$1,680.20
4WD	07-0		1.1	57111-SWA-A00	\$1,680.20
	10		1.1	57111-SWA-A60	\$1,680.20
USA Built					
2WD	07-0		1.1	57111-SXT-A00	\$1,680.20
	10		1.1	57111-SXT-A60	\$1,680.20
4WD	07-0		1.1	57111-SXS-A00	\$1,680.20

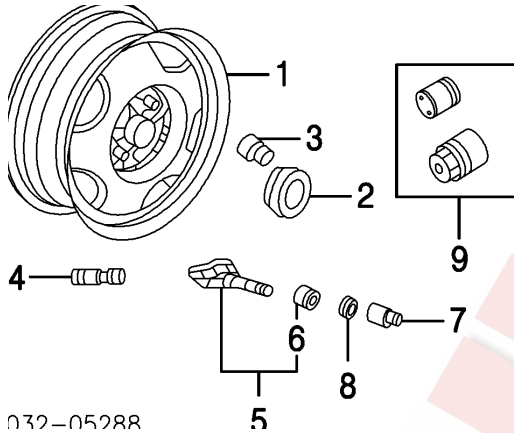
2010 Honda CR-V EX-L Utility

	10	1.1	57111-SXS-A60	\$1,680.20
Mexico Built				
2WD	08-0	1.1	57111-SXT-A00	\$1,680.20
	10	1.1	57111-SXT-A60	\$1,680.20
4WD	08-0	1.1	57111-SXS-A00	\$1,680.20
	10	1.1	57111-SXS-A60	\$1,680.20
4 Damper, Bushing			57101-STK-A01	\$4.97
5 Bracket, Modulator	#.3		57115-SWA-A00	\$17.77
#w/Modulator Removed				
6 Cylinder Assy, Brake Master		.9	46100-SWA-A01	\$311.79
			46662-S9A-003	
7 Cap, Brake Master Cylinder (a)				\$14.28
8 Diaphragm (a)			46669-S5A-003	\$6.52
9 Filter, Cylinder (a)			46666-S2K-003	\$4.93
10 Seal, Rod (a)			46185-SE0-003	\$4.67
(a) Included w/Brake Master Cylinder Assy				
11 Bracket, Master Cylinder			46674-SWA-A00	\$8.85
12 Booster Assy, Brake	#1.3		01469-SWA-A00	\$401.45
#Includes R&R Brake Master Cylinder				
13 Gasket, Booster (b)			46191-SDA-A00	\$1.15
(b) Included w/Brake Booster Assy				

WHEEL

Procedure 10

STEEL WHEEL



032-05288

Refinish Wheel

.5

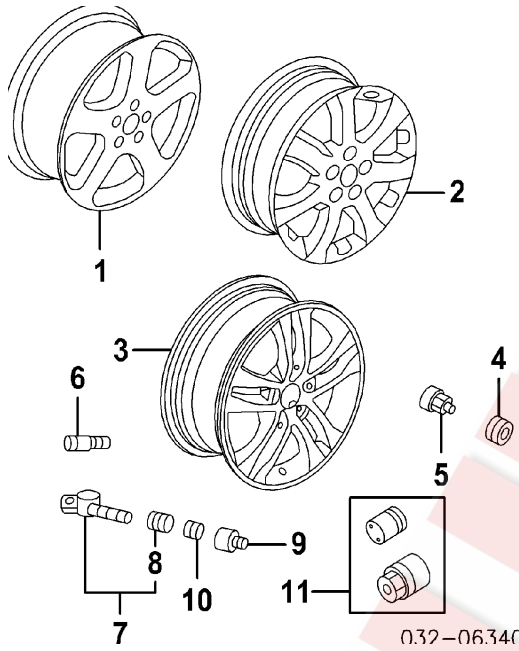
Add to R&I Spare Wheel & Tire Assy

.2

1 Wheel, Steel	.3	42700-SWA-A01	\$205.92
2 Cap, Wheel Center		44732-S9A-000	\$35.85
3 Nut, Lug		90304-SA5-013	\$6.83
4 Stem, Valve		42753-SB8-661	\$1.03
5 Sensor Assy, Tire Pressure	07-09	42753-SWA-305	\$32.93
	10	42753-SWA-315	\$32.93
6 Grommet, Sensor¶		42756-STK-A01	\$1.42
¶Included w/Tire Pressure Sensor Assy			
7 Nut, Sensor		42754-STK-A01	\$1.28
8 Washer, Nut		42755-STK-A01	\$0.77
9 Lock Kit, Wheel Dealer Installed		08W42-SCV-101	\$55.28

ALLOY WHEEL

2010 Honda CR-V EX-L Utility



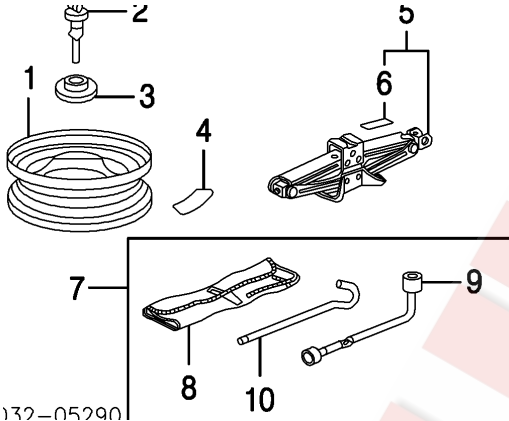
Add to R&I Spare Wheel & Tire Assy

		.2	
Wheel, Alloy			
1 Dealer Installed	.3	08W17-SWA-100	\$427.00
Factory Installed			
2 2007-09			
Enkei Brand	.3	42700-SWA-A81	\$314.28
Kosei Brand	.3	42700-SWA-A83	\$548.55
3			
		2010	
Enkei Brand	.3	42700-SWA-A71	\$218.42
Hitachi Brand	.3	42700-SWA-A73	\$386.17
Hayes Lemmerz Brand	.3	42700-SYE-A71	\$291.55
4 Cap, Wheel Center			
Dealer Installed		08W16-SCV-100R1	\$11.00
Factory Installed		44732-S9A-A00	\$33.25
5 Nut, Lug			
Japan Built		90304-SF0-751	\$8.12
USA Built		90381-SV7-A01	\$3.60
Mexico Built	08-10	90381-SV7-A01	\$3.60
6 Stem, Valve		42753-SB8-661	\$1.03
		42753-SWA-316	
7 Sensor Assy, Tire Pressure			\$28.73
8 Grommet, Sensor¶		42756-STK-A01	\$1.42
¶Included w/Tire Pressure Sensor Assy			
9 Nut, Sensor		42754-STK-A01	\$1.28

2010 Honda CR-V EX-L Utility

10 Washer, Nut	42755-STK-A01	\$0.77
11 Lock Kit, Wheel		
Dealer Installed	08W42-SCV-101	\$55.28

SPARE WHEEL & HARDWARE



132-05290			
1 Wheel, Spare			
Japan Built	42700-SWA-J51	\$206.92	
USA Built	42700-SXS-A51	\$48.30	
Mexico Built	08-10 42700-SWA-J51	\$206.92	
2 Hold-Down, Spare	74652-SDA-003	\$3.30	
3 Adapter, Spare Wheel	74651-S2X-003	\$3.88	
4 Label, Spare Tire Caution-See Information Labels Section			
5 Jack Assy			
Japan Built	89310-SWA-003	\$76.12	
USA Built	89310-S3V-A03	\$36.78	
Mexico Built	08-10 89310-S3V-A03	\$36.78	
6 Plate, Jack Caution¶	89311-SWA-003	\$2.48	
¶Included w/Jack Assy			
7 Tool Set			
Japan Built	89000-SWA-A00	\$53.68	
USA Built	89000-SXS-A00	\$17.42	
Mexico Built	08-10 89000-SXS-A00	\$17.42	
8 Bag, Tool (a)	89101-SMG-E01	\$103.99	
9 Wrench, Nut (a)			
Japan Built	89211-S05-003	\$16.00	
USA Built	89211-S3V-A11	\$7.63	
Mexico Built	08-10 89211-S3V-A11	\$7.63	
10 Bar, Jack (a)			
Japan Built	89320-S2G-003	\$18.18	
USA Built	89320-SL0-003	\$23.12	
Mexico Built	08-10 89320-SL0-003	\$23.12	

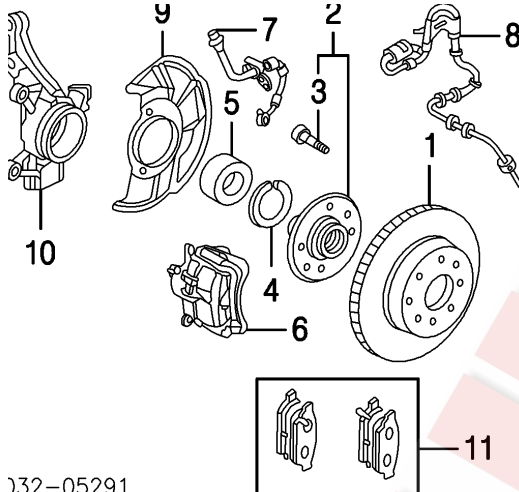
2010 Honda CR-V EX-L Utility

(a) Included w/Tool Set

CRVCLUB.RU

FRONT SUSPENSION

Procedure 11



132-05291

R&I Suspension (One Side)

R	2.0
L	2.0

O/H Suspension (Includes R&I)

O/H One Side (Includes R&I)

R	3.8
L	3.8

O/H Both Sides (Includes R&I)

7.2

Adjust Four Wheel Alignment

2.0

Adjust Front Wheel Alignment

1.6

Bleed Brake System

.6

NOTE 1: R&I/R&R or O/H Does Not include alignment or bleed brake system.

NOTE 2: All Parts in this section are included in overhaul unless noted otherwise.

Nut, Axle-See Front Drive Axle Section

1 Rotor, Brake

2007-09

R	#.6	45251-SWA-A00	\$99.17
L	#.6	45251-SWA-A00	\$99.17

2010

Japan Built

R	#.6	45251-SWA-A20	\$99.17
L	#.6	45251-SWA-A20	\$99.17

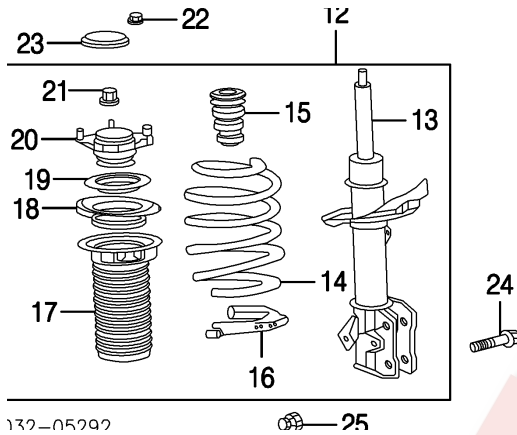
USA, Mexico Built

R	#.6	45251-SXS-A00	\$99.17
L	#.6	45251-SXS-A00	\$99.17

2010 Honda CR-V EX-L Utility

#R&R Both Sides 1.0				
2	Hub Assy, Wheel	R	#1.8	44600-SJK-J00 \$44.28
		L	#1.8	44600-SJK-J00 \$44.28
3 Bolt, Hub (5/Side)¶				
		R		90113-SD4-902 \$4.37
		L		90113-SD4-902 \$4.37
¶Included w/Wheel Hub Assy				
4 Circlip				
		R	#1.8	90681-SJK-000 \$8.75
		L	#1.8	90681-SJK-000 \$8.75
5 Bearing, Hub				
		R	#1.8	44300-STK-951 \$82.05
		L	#1.8	44300-STK-951 \$82.05
#R&R One Side Complete, Includes R&R Brake Rotor, R&R Both Sides 3.4				
6 Caliper, Brake				
	New	R	#.5	45018-SHJ-A01 \$210.65
		L	#.5	45019-SHJ-A01 \$210.65
	Remanufactured	R	#.5	45018-SHJ-A01RM \$101.00
		L	#.5	45019-SHJ-A01RM \$101.00
#R&R Both Sides .8				
7 Hose, Brake				
		R	#.3	01464-SWA-000 \$40.90
		L	#.3	01465-SWA-000 \$40.90
#w/Caliper Removed Deduct .2				
8 Sensor, Front ABS-See ABS/Brakes Section				
9 Shield, Splash				
		R	#1.8	45255-STK-A00 \$11.18
		L	#1.8	45255-STK-A00 \$11.18
10 Knuckle, Steering				
		07-0 R	#1.8	51211-SWA-A00 \$181.05
		L	#1.8	51216-SWA-A00 \$181.05
		10 R	#1.8	51211-SWA-A10 \$72.77
		L	#1.8	51216-SWA-A10 \$72.77
#Includes R&R Hub, Rotor & Splash Shield, R&R Both Sides 3.4				
11 Pad Set, Brake				
			#1.0	45022-SHJ-A50 \$73.33
#Deduct .5 for Each Caliper Removed				

2010 Honda CR-V EX-L Utility



139-05997

12 Strut Assy

Japan Built

07-0	R	#1.2	51601-SWA-A05	\$397.07
	L	#1.2	51602-SWA-A05	\$397.07
10	R	#1.2	51601-SWA-A21	\$403.93
	L	#1.2	51602-SWA-A21	\$403.93

USA Built

07-0	R	#1.2	51601-SXS-A02	\$440.42
	L	#1.2	51602-SXS-A02	\$397.07
10	R	#1.2	51601-SXS-A21	\$218.35
	L	#1.2	51602-SXS-A21	\$218.35

Mexico Built

08-0	R	#1.2	51601-SXS-A02	\$440.42
	L	#1.2	51602-SXS-A02	\$397.07
10	R	#1.2	51601-SXS-A21	\$218.35
	L	#1.2	51602-SXS-A21	\$218.35

#R&R Both Sides 2.2, w/Knuckle Removed Deduct .8

13 Strut (a)

2007-09

R	#1.7	51605-SXS-A02	\$126.82
L	#1.7	51606-SXS-A02	\$126.82

2010

Japan Built

R	#1.7	51605-SWA-A21	\$225.83
L	#1.7	51606-SWA-A21	\$225.83

USA, Mexico Built

R	#1.7	51605-SXS-A21	\$126.82
L	#1.7	51606-SXS-A21	\$126.82

14 Spring, Coil (a)

R	#1.7	51401-SWA-A03	\$82.07
L	#1.7	51406-SWA-A03	\$82.07

15 Bumper, Stop (a)

R	#1.7	51722-SWE-T01	\$14.70
L	#1.7	51722-SWE-T01	\$14.70

16 Rubber, Mount (a)

R	#1.7	51684-STK-A02	\$1.33
L	#1.7	51694-STK-A02	\$1.33

17 Cover, Dust (a)

R	#1.7	51402-STK-A02	\$8.45
L	#1.7	51403-STK-A01	\$8.45

18 Seat, Spring Upper (a)

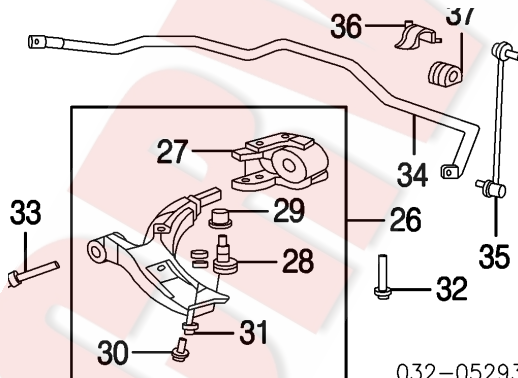
2010 Honda CR-V EX-L Utility

Japan Built	07-0	R	#1.7	51688-SWA-A02	\$19.62
		L	#1.7	51688-SWA-A02	\$19.62
	10	R	#1.7	51688-SWA-A11	\$19.32
		L	#1.7	51688-SWA-A11	\$19.32
USA Built		R	#1.7	51688-STK-A01	\$6.17
		L	#1.7	51688-STK-A01	\$6.17
Mexico Built	08-1	R	#1.7	51688-STK-A01	\$6.17
		L	#1.7	51688-STK-A01	\$6.17
19 Bearing, Mount (a)		R	#1.7	51726-STK-A01	\$11.57
		L	#1.7	51726-STK-A01	\$11.57
20 Base, Strut Mount (a)		R	#1.7	51920-SWA-A01	\$38.73
		L	#1.7	51920-SWA-A01	\$38.73
21 Nut, Self-Lock (a)		R	#1.7	90213-SJ6-004	\$3.08
		L	#1.7	90213-SJ6-004	\$3.08

(a) Included w/Strut Assy

#R&R One Side Complete. w/Knuckle Removed Deduct .8, R&R Both Sides 3.2

22 Nut, Flange (10/Side)		R		90002-S10-000	\$2.38	
		L		90002-S10-000	\$2.38	
23 Cap, Mounting		R		51608-SNA-000	\$5.80	
		L		51608-SNA-000	\$5.80	
24 Bolt, Strut (2/Side) Type 1		R		90120-STK-000	\$8.45	
		L		90120-STK-000	\$8.45	
	Type 2		R		90119-S6M-Z01	\$5.22
			L		90119-S6M-Z01	\$5.22
25 Nut, Strut Bolt (2/Side)		R		90382-STK-A01	\$1.82	
		L		90382-STK-A01	\$1.82	



26 Arm Assy, Lower	07-0	R	#1.3	51350-SWA-A01	\$227.03
		L	#1.3	51360-SWA-A01	\$227.03
	10	R	#1.3	51350-SWA-A20	\$194.77
		L	#1.3	51360-SWA-A20	\$192.27

2010 Honda CR-V EX-L Utility

#w/Knuckle Removed Deduct .5, R&R Both Sides 2.4

27 Bracket, Arm (b)	07-0 R	#.3	51395-SWA-A01	\$56.85
	L	#.3	51396-SWA-A01	\$56.85
	10 R	#.3	51395-SWA-A02	\$56.85
	L	#.3	51396-SWA-A02	\$56.85

#w/Lower Arm Assy Removed

28 Joint, Ball (b)	07-0 R	#.8	51220-STK-A01	\$20.88
	L	#.8	51220-STK-A01	\$20.88
	10 R	#.8	51220-SWA-A01	\$33.92
	L	#.8	51230-SWA-A01	\$33.92

#w/Knuckle Removed Deduct .4

29 Boot, Dust (b)	R		51225-SNA-A01	\$2.48
	L		51225-SNA-A01	\$2.48
30 Bolt, Flange (b)	R		90018-SNA-010	\$1.70
	L		90018-SNA-010	\$1.70
31 Nut, Bolt (b)	R		90215-SB0-003	\$1.02
	L		90215-SB0-003	\$1.02

(b) Included w/Lower Arm Assy

32 Bolt, Bracket (2/Side)	R		90118-SNA-000	\$2.43
	L		90118-SNA-000	\$2.43
33 Bolt, Lower Arm	R		90116-SNA-010	\$4.17
	L		90116-SNA-010	\$4.17
34 Bar, Stabilizer		#1.6	51300-SWA-A01	\$38.67

#Includes R&R Stabilizer Links, Brackets & Bushings, Not Included in O/H

35 Link, Stabilizer Bar	R	#.4	51320-STK-A01	\$17.33
	L	#.4	51320-STK-A01	\$17.33

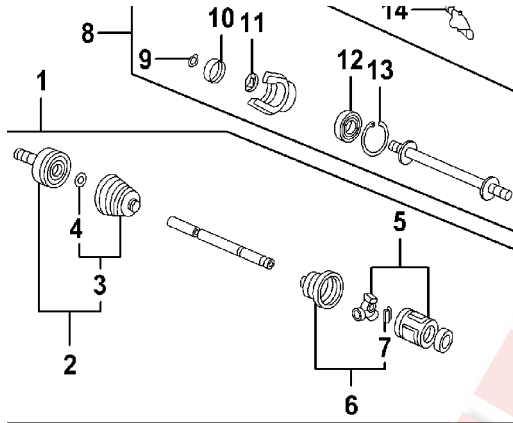
#Not Included in O/H

36 Bracket, Stabilizer Bar	R	#	51308-SAA-000	\$5.82
	L	#	51308-SAA-000	\$5.82
37 Bushing, Stabilizer Bar	R	#	51306-SWA-A01	\$2.33
	L	#	51306-SWA-A01	\$2.33

#Not Included in O/H

2010 Honda CR-V EX-L Utility

FRONT DRIVE AXLE



137-06381

R&I Axle Shaft Assy

R #.4
L #.4

O/H Axle Shaft Assy (Includes R&I)

R #1.2
L #1.2

#w/Necessary Suspension Components Removed

Nut, Axle	R		90305-S3V-A11	\$3.50	
	L		90305-S3V-A11	\$3.50	
1 Shaft Assy, Axle					
Japan Built	07-0	R	#.4	44305-SWA-901	\$460.63
		L	#.4	44306-SWA-900	\$460.63
	10	R	#.4	44305-SWA-901	\$460.63
		L	#.4	44306-SWA-900	\$460.63
USA Built	07-0	R	#.4	44305-SXS-A10	\$460.63
		L	#.4	44306-SXS-A10	\$460.63
	10	R	#.4	44305-SXS-A11	\$460.63
		L	#.4	44306-SXS-A10	\$460.63
Mexico Built	08-0	R	#.4	44305-SXS-A10	\$460.63
		L	#.4	44306-SXS-A10	\$460.63
	10	R	#.4	44305-SXS-A11	\$460.63
		L	#.4	44306-SXS-A10	\$460.63

#w/Necessary Suspension Components Removed

2 Joint Assy, Outer					
Japan Built	07-0	R	#.5	44014-SWA-010	\$278.97
		L	#.5	44014-SWA-010	\$278.97
	10	R	#.5	44014-SWA-010	\$278.97
		L	#.5	44014-SWA-010	\$278.97

2010 Honda CR-V EX-L Utility

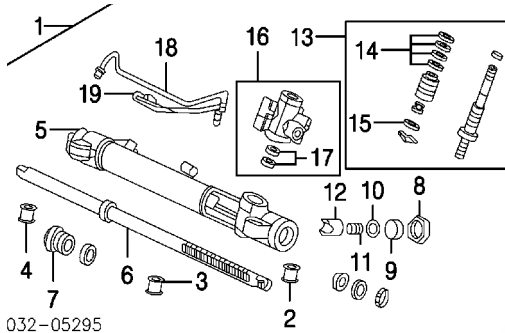
USA Built	R	#.5	44014-SXS-A01	\$176.60
	L	#.5	44014-SXS-A01	\$176.60
Mexico Built	08-1 R	#.5	44014-SXS-A01	\$176.60
	L	#.5	44014-SXS-A01	\$176.60
#w/Axle Shaft Assy Removed				
3 Boot Assy, Outer (a)¶				
Japan Built	07-0 R	#.4	44018-SJM-000	\$29.60
	L	#.4	44018-SJM-000	\$29.60
	10 R	#.4	44018-SJM-010	\$29.60
	L	#.4	44018-SJM-010	\$29.60
USA Built	R	#.4	44018-SXS-A01	\$29.60
	L	#.4	44018-SXS-A01	\$29.60
Mexico Built	08-1 R	#.4	44018-SXS-A01	\$29.60
	L	#.4	44018-SXS-A01	\$29.60
#w/Axle Shaft Assy Removed				
4 Ring, Stopper (a) (b)¶				
Japan Built	R		44337-SB0-300	\$1.88
	L		44337-SB0-300	\$1.88
USA Built	R		44337-SM1-300	\$0.30
	L		44337-SM1-300	\$0.30
Mexico Built	08-1 R		44337-SM1-300	\$0.30
	L		44337-SM1-300	\$0.30
(b) Included w/Outer Boot Assy				
(a) Included w/Outer Joint Assy				
5 Joint Set, Inner¶				
Japan Built	R	#.5	44310-S9A-300	\$330.12
	L	#.5	44310-S9A-300	\$330.12
USA Built	07-0 R	#.5	44310-S84-A50	\$330.12
	L	#.5	44310-S84-A50	\$330.12
	10 R	#.5	44310-TA0-A50	\$110.33
	L	#.5	44310-TA0-A60	\$110.33
Mexico Built	08-0 R	#.5	44310-S84-A50	\$330.12
	L	#.5	44310-S84-A50	\$330.12
	10 R	#.5	44310-TA0-A50	\$110.33
	L	#.5	44310-TA0-A60	\$110.33
#w/Axle Shaft Assy Removed				
6 Boot Assy, Inner¶				
Japan Built	R	#.4	44017-SJM-000	\$29.60
	L	#.4	44017-SJM-000	\$29.60
USA Built	R	#.4	44017-SXS-A00	\$29.60

2010 Honda CR-V EX-L Utility

Mexico Built	L	#.4	44017-SXS-A00	\$29.60
	08-1 R	#.4	44017-SXS-A00	\$29.60
	L	#.4	44017-SXS-A00	\$29.60
7 Circlip (c)¶	R	#.4	44338-SM1-300	\$0.43
	L	#.4	44338-SM1-300	\$0.43
(c) Included w/Inner Boot Assy				
¶Included w/Axle Shaft Assy				
#w/Axle Shaft Assy Removed				
8 Shaft Assy, Half	R	#.6	44500-SWA-A00	\$301.87
9 Seal, Outer (d)	R	#.6	44319-S84-300	\$2.17
10 Bearing, Half Shaft (d)	R	#.6	91057-SR3-008	\$33.40
11 Circlip, Outer (d)	R	#.6	90681-SR3-000	\$4.02
12 Seal, Half Shaft (d)	R	#.6	91260-SWA-A01	\$6.77
13 Circlip, Inner (d)	R	#.6	94520-55000	\$1.82
(d) Included w/Half Shaft Assy				
#R&R Complete, w/Axle Shaft Assy Removed, Not Included in O/H				
14 Cover, Heat	R		44517-SWA-A00	\$10.48

2010 Honda CR-V EX-L Utility

FRONT STEERING LINKAGE/GEAR



R&I Steering Gear Assy

#3.0

#w/Sub-Frame Removed Deduct 2.4

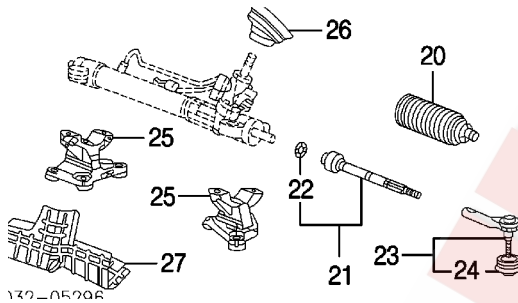
NOTE: R&I/R&R Does Not include adjust wheel alignment.

1	Gear Assy, Steering				
	2007-09		#3.3	53601-SXS-A01	\$1,001.62
		2010			
	Japan Built		#3.3	53601-SWA-A03	\$1,034.15
	USA, Mexico Built		#3.3	53601-SXS-A03	\$1,001.62
	#w/Sub-Frame Removed Deduct 2.4				
	Bushing, Gear Box				
2	No. 1			53685-SEP-A01	\$7.63
3	No. 2			53685-STK-A01	\$4.18
4	No. 3			53685-STK-A11	\$4.78
5	Housing, Steering Rack			53608-SWA-A01	\$414.22
6	Rack, Steering			53626-SWA-A01	\$133.13
7	End, Cylinder			53630-STK-A01	\$7.57
8	Nut, Lock			53458-S84-A01	\$2.63
9	Screw, Rack Guide			53414-S84-A01	\$13.38
10	Washer, Disc			53418-S5A-003	\$2.85
11	Spring, Guide	07-09		53413-SZ3-A01	\$2.77
		10		53413-SD4-951	\$3.62
12	Guide, Rack	07-09		53416-SWA-A01	\$16.53
		10		53416-STK-A02	\$13.72
13	Pinion Assy	07-09		53641-SWA-A01	\$257.57
		10		53641-SWA-A03	\$55.08
14	Ring, Seal (a)			06535-S50-003	\$5.72
15	Seal, Oil (a)			53660-S50-003	\$5.07
	(a) Included w/Pinion Assy				
16	Housing Assy, Pinion	07-09		53645-SWA-A01	\$117.57
		10		53645-SWA-A02	\$118.22

2010 Honda CR-V EX-L Utility

17 Seal Set (d)¶			06532-S50-003	\$13.19
(d) Included w/Pinion Housing Assy				
18 Tube, Upper Oil Feed¶			53670-STK-A01	\$4.68
19 Tube, Lower Oil Feed¶			53671-STK-A01	\$4.68

¶Included w/Steering Gear Assy



20 Boot, Rack				
Japan Built	R	#.6	53534-SXS-A01	\$8.52
	L	#.6	53534-SXS-A01	\$8.52
USA Built	R	#.6	53534-STK-A01	\$5.37
	L	#.6	53534-STK-A01	\$5.37
Mexico Built	08-1 R	#.6	53534-STK-A01	\$5.37
	L	#.6	53534-STK-A01	\$5.37

#Includes R&R Tie Rod End Assy

21 Rod Assy, Inner Tie				
2007-09	R	#3.4	53010-SWA-A01	\$51.80
	L	#3.4	53010-SWA-A01	\$51.80
				2010
Japan Built	R	#3.4	53010-SWA-A01	\$51.80
	L	#3.4	53010-SWA-A01	\$51.80
USA, Mexico Built	R	#3.4	53010-SXS-A02	\$46.82
	L	#3.4	53010-SXS-A02	\$46.82

#Includes R&I Steering Gear Assy, R&R Both Sides 3.8

22 Washer, Tie Rod (b)	R		53536-SJK-003	\$2.63
	L		53536-SJK-003	\$2.63

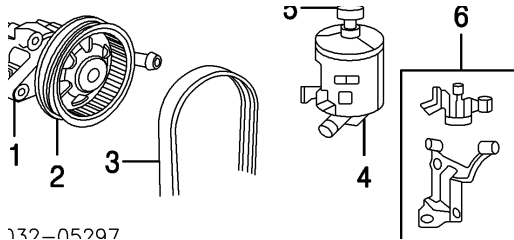
(b) Included w/Inner Tie Rod Assy

23 End Assy, Tie Rod				
Japan Built	07-0 R	#.3	53540-SWA-A02	\$37.40
	L	#.3	53540-SWA-A02	\$37.40
	10 R	#.3	53540-SWA-A02	\$37.40
	L	#.3	53540-SWA-A02	\$37.40

2010 Honda CR-V EX-L Utility

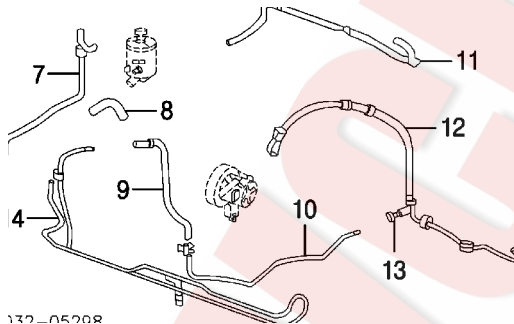
USA Built	07-0 R	#.3	53540-SXS-A01	\$29.55
	L	#.3	53540-SXS-A01	\$29.55
	10 R	#.3	53540-SXS-A02	\$29.55
	L	#.3	53540-SXS-A02	\$29.55
Mexico Built	08-0 R	#.3	53540-SXS-A01	\$29.55
	L	#.3	53540-SXS-A01	\$29.55
	10 R	#.3	53540-SXS-A02	\$29.55
	L	#.3	53540-SXS-A02	\$29.55
24 Boot, Tie Rod (c)	R	#.3	52362-S30-003	\$12.97
	L	#.3	52362-S30-003	\$12.97
(c) Included w/Tie Rod End Assy				
#R&R One Side Complete, Included in R&R Inner Tie Rod				
25 Bracket, Steering Gear	07-0 R		53434-SWA-013	\$97.67
	L		53438-SWA-013	\$97.67
	10 R		53434-SWA-023	\$98.77
	L		53438-SWA-013	\$97.67
26 Grommet, Steering			53502-SWA-A00	\$12.55
27 Plate, Heat Baffle			53692-SWA-A00	\$23.70

STEERING PUMP



137-05207

1 Pump, Steering			
New	#1.1	56110-RTA-003	\$657.37
Remanufactured	#1.1	56100-RTA-003RM	\$335.00
2 Pulley, Pump	#1.1	56483-PNC-004	\$34.80
#R&R Complete			
3 Belt, Drive-See Cooling Section			
4 Reservoir, Fluid	.6	53701-SWA-A01	\$15.12
5 Cap, Reservoir		53697-SB3-952	\$0.98
6 Bracket, Reservoir		53711-SWA-000	\$14.62



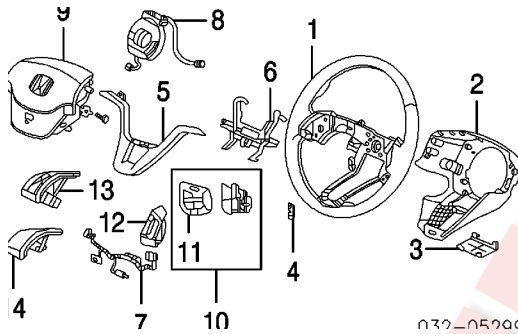
137-05208

7 Hose, Reservoir	.7	53733-SXS-A01	\$13.92
8 Tube, Suction	.4	53731-SWA-000	\$5.70
9 Hose, Oil Cooler			
Japan Built	.7	53735-SWA-003	\$15.72
USA Built	.7	53735-SXS-A01	\$8.40
Mexico Built	08-1 .7	53735-SXS-A01	\$8.40
10 Pipe, Power Steering	.8	53730-SWA-A00	\$7.88
11 Hose, Return			
Japan Built	#.8	53732-SWA-A02	\$40.22
USA Built	#.8	53732-SXS-A01	\$18.73
Mexico Built	08-1 #.8	53732-SXS-A01	\$18.73
12 Hose, Feed	07-0 #.8	53713-SWA-A03	\$91.17
	10 #.8	53713-SWA-A03	\$91.17
#R&R Both	1.2		
13 Switch, Pressure	.5	56490-PNA-003	\$48.32
14 Cooler, Power Steering	07-0	1.2 53765-SWA-000	\$81.90
	10	1.2 53765-SWA-010	\$22.42

STEERING WHEEL/COLUMN

NOTE: All Parts in this section are included in overhaul unless noted otherwise.

WHEEL & TRIM

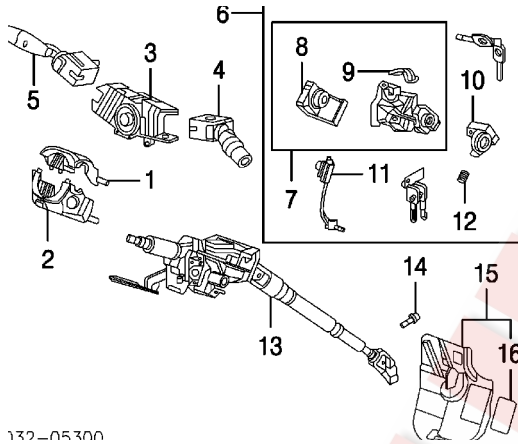


1	Wheel, Steering w/Leather	.8	78501-SWA-N71ZA	\$259.35
	w/o Leather	.8	78501-SWA-J61ZA	\$159.25
2	Cover, Body w/Navigation System		78518-SWA-C41ZA	\$27.28
	w/o Navigation System		78518-SWA-J61ZA	\$61.35
3	Cap, Body Cover		78512-SWA-A81ZA	\$20.18
4	Plate, Cover	L	78518-SWA-N81	\$6.12
5	Garnish, Center EX, EX-L Model 2007-09 Gray		78540-SWA-J61ZB	\$63.70
	Silver		78540-SWA-J61ZA	\$63.70
	LX Model	2010	78540-SWA-J61ZE	\$42.03
			78540-SWA-U61ZA	\$42.03
6	Guide, Harness		78525-STK-A81	\$35.08
7	Harness, Cable Reel-See Air Bag System Section			
8	Cable, Reel-See Air Bag System Section			
9	Module, Driver Air Bag-See Air Bag System Section			
10	Switch Assy, Navigation	07-0	.4 35890-SWA-A01	\$29.95
		10	.4 35890-SWA-E11	\$40.43
11	Housing, Switch¶	07-09	35891-SWA-A01	\$5.05
		10	35891-SWA-J01	\$4.22
	¶Included w/Navigation Switch Assy			
12	Switch, Cruise Control		.4 36770-SWA-A01	\$56.53

2010 Honda CR-V EX-L Utility

13 Switch, Radio Remote	.4	35880-SWA-A01	\$36.82
14 Cover, Left Side			
LX Model	L	78541-SWA-J61ZA	\$39.13

COLUMN TILT



132-05300

R&I Steering Column	1.3		
O/H Steering Column (Includes R&I)	2.8		

NOTE: All Parts in this section are included in O/H unless noted otherwise.

1 Cover, Upper Column	07-0 #.5	77350-SWA-A02ZA	\$4.62
	10 #.5	77350-SWA-A02ZA	\$4.62
2 Cover, Lower Column	07-0 #.5	77360-SWA-A01ZA	\$9.93
	10 #.5	77360-SWA-A02ZA	\$9.93
#R&R Complete			
3 Body, Combination Switch	07	1.2 35251-SWA-E41	\$47.93
	08-1	1.2 35251-TA0-B11	\$45.67
4 Switch, Wiper			
EX, EX-L Model	07	1.0 35256-SWA-F01	\$30.67
	08-1	1.0 35256-SWA-A11	\$32.13
LX Model	07	1.0 35256-SWA-A01	\$86.48
	08-1	1.0 35256-SWA-A02	\$22.43
5 Switch, Combination (c)	07	1.0 35255-SNA-A01	\$24.18
	08-1	1.0 35255-TA0-A02	\$29.40
(c) Order by Application			
6 Lock Set, Complete	#	06350-SWA-A01	\$394.88
#Not Included in O/H			
7 Lock Assy, Steering†	1.1	35100-SWA-911	\$421.42
8 Switch, Steering (a)†	.9	35130-SAA-J51	\$51.57
9 Holder, Column (a)†		35108-S30-003	\$2.63
(a) Included w/Steering Lock Assy			
10 Immobilization Unit†	1.0	39730-SWA-A01	\$122.58

2010 Honda CR-V EX-L Utility

11 Cylinder Assy, Door Lock-See Front Door Section¶

12 Cylinder, Glove Box-See Instrument Panel Section¶

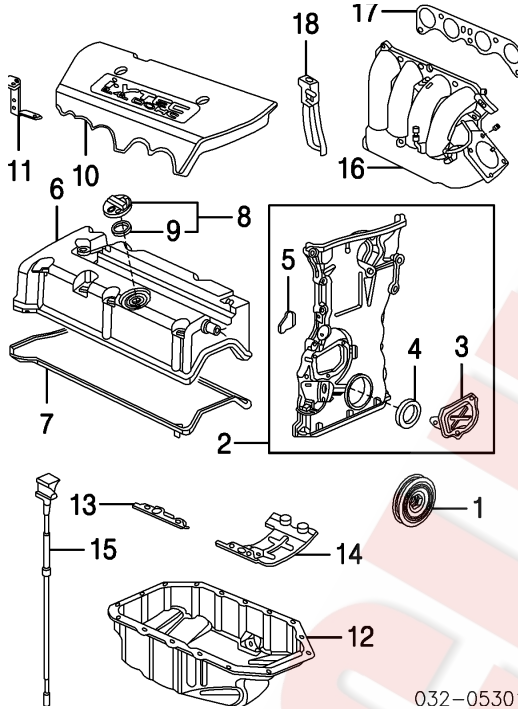
¶Included w/Complete Lock Set

13 Column, Steering	2.4	53200-SWA-A03	\$301.70
14 Bolt, Steering Column		90135-SDA-000	\$1.53
15 Cover Assy, Steering Joint		53320-STK-A01	\$4.27
16 Label, SRS Notice (b)		77873-SP0-A80	\$4.65

(b) Included w/Steering Joint Cover Assy

ENGINE/TRANSMISSION

Procedure 12



032-0530

R&I Engine/Trans Assy

#8.7

#w/Sub-Frame Removed Deduct 3.0

1 Pulley, Crankshaft Japan Built	07-0	.8	13810-RZA-008	\$81.40
	10	.8	13810-R40-A02	\$118.65
USA Built	07-0	.8	13810-RZA-A01	\$51.50
	10	.8	13810-R40-A01	\$57.78
Mexico Built	08-0	.8	13810-RZA-A01	\$51.50
	10	.8	13810-R40-A01	\$57.78
2 Cover Assy, Timing	07-0 #2.0		11410-RZA-010	\$115.78
	10 #2.0		11410-REZ-A00	\$77.48
#Includes R&R Crankshaft Pulley				
3 Plate, Cover	07-09		11412-PNA-000	\$5.52
	10		11412-R40-A00	\$6.58
4 Seal, Cover (b)				
2007-09			91212-RNA-A01	\$13.08
	2010			
Japan Built			91212-RTA-003	\$12.05
USA, Mexico Built			91212-R11-A01	\$6.22

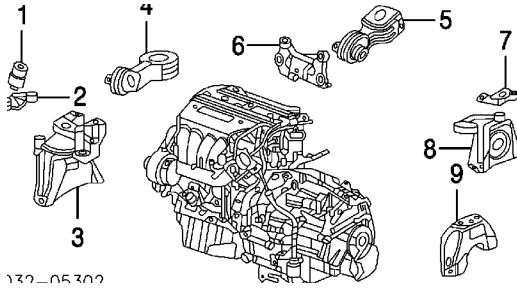
(b) Order by Application

2010 Honda CR-V EX-L Utility

5 O-Ring, Cover¶			91302-PNA-004	\$3.92
¶Included w/Timing Cover Assy				
6 Cover, Valve	07-0	1.7	12310-RAA-A00	\$141.40
	10	1.7	12310-R40-A00	\$125.63
7 Gasket, Cover 2007-09				
Japan Built			12030-RTA-000	\$58.87
USA Built			12030-RAA-A01	\$60.88
Mexico Built	08-09		12030-RAA-A01	\$60.88
	2010		12030-R44-A00	\$50.07
8 Cap Assy, Oil Filler	07-09		15610-RAA-A01	\$10.47
	10		15610-REZ-A00	\$4.22
9 Gasket, Cap (a)			15613-PC6-000	\$3.85
(a) Included w/Oil Filler Cap Assy				
10 Cover, Engine	07-0	.3	17121-RAA-A00	\$28.08
	10	.3	N.A.	
11 Bracket, Cover			17123-RAA-A00	\$3.95
12 Pan, Eng Oil	07-0	#1.3	11200-RZA-000	\$140.45
	10	#1.3	11200-REZ-A00	\$111.27
#w/Sub-Frame Removed				
13 Plate, Retainer			11222-RAA-A00	\$4.70
14 Plate, Baffle	07-09		11221-RZA-000	\$16.03
	10		11221-R40-A00	\$2.77
15 Dipstick, Eng Oil			15650-RZA-004	\$9.15
16 Manifold, Intake		2.7	17110-RTB-000	\$182.20
17 Gasket, Manifold			17115-RAA-A01	\$25.50
18 Bracket, Int Manifold			17132-RTB-000	\$18.97

2010 Honda CR-V EX-L Utility

ENGINE/TRANSMISSION MOUNTS

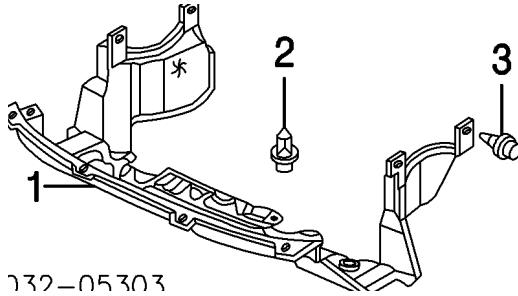


132-05302

1 Mount, Eng Front		#1.2	50451-SWA-A00	\$13.20
2 Stay, Front Mount		#1.2	50625-STK-A00	\$3.45
3 Mount, Left Eng Mount				
Japan Built	L	#1.2	50820-SXS-A01	\$240.12
USA Built	L	#1.2	50820-SXS-A01	\$240.12
Mexico Built	L	#1.2	50820-SXS-A01	\$240.12
#R&R Complete				
4 Rod, Torque Upper		.6	50880-SWA-A81	\$78.43
5 Rod, Lower Torque		1.0	50890-SWA-A81	\$78.43
6 Bracket, Torque Rod		#.3	50690-SWA-A00	\$37.10
#w/Torque Rod Removed				
7 Bracket, Trans Mount			50855-SWA-A80	\$7.18
8 Mount, Trans				
Japan Built		.8	50850-SWA-J82	\$181.52
USA Built		.8	50850-SWA-A81	\$111.00
Mexico Built	08-1	.8	50850-SWA-A81	\$111.00
9 Stay, Trans			50655-SWA-A80	\$72.07

2010 Honda CR-V EX-L Utility

ENGINE UNDER COVER



732-05303

1 Cover, Engine Under

07-0 .4 74111-SWA-A00 \$93.63

10 .4 74111-SWA-A01 \$37.07

2 Clip, Under Cover (3)

91505-S9A-003 \$2.12

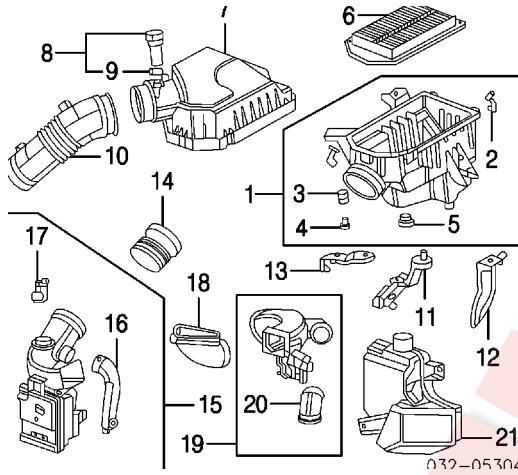
3 Clip, Side Under Cover (2/Side)

R 91506-S9A-003 \$2.12

L 91506-S9A-003 \$2.12

2010 Honda CR-V EX-L Utility

AIR CLEANER

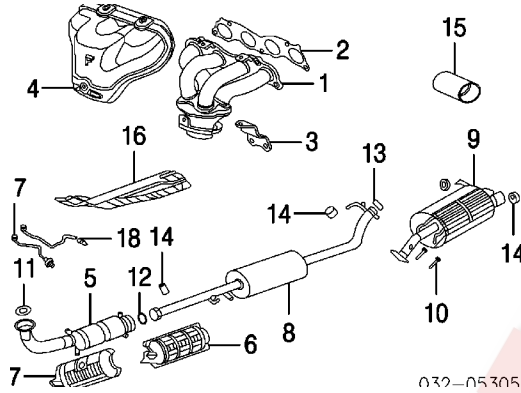


				.5		
1	Case Assy, Air Cleaner	07-0	.5	17201-RZA-000	\$40.48	
		10	.5	17201-REZ-A00	\$23.88	
2	Clip, Air Cleaner (6)¶			17217-P2J-300	\$2.07	
3	Cushion, Mounting (2)¶			17212-PN3-000	\$2.15	
4	Collar, Cushion Mtg (2)¶			17216-PN3-000	\$3.27	
5	Rubber, Mount¶			17212-P2J-000	\$2.77	
	¶Included w/Air Cleaner Case Assy					
6	Element, Air Cleaner	07-0	.3	17220-RZA-000	\$26.38	
		10	.3	17220-REZ-A00	\$24.46	
7	Cover, Air Cleaner	07-0	.2	17210-RZA-000	\$30.02	
		10	.2	17210-REZ-A00	\$17.27	
8	Meter Assy, Air Flow					
	2007-09		.3	37980-RTA-003	\$104.78	
	2010					
	Japan Built		.3	37980-RLF-003	\$124.05	
	USA Built		.3	37980-R11-A01	\$89.28	
	Mexico Built		.3	37980-R11-A01	\$89.28	
9	O-Ring (a)			37985-RTA-003	\$2.00	
	(a) Included w/Air Flow Meter Assy					
10	Tube, Air Flow	07-0	.2	17228-RZA-000	\$22.60	
		10	.2	17228-REZ-A00	\$19.40	
	Stay, Air Cleaner					
11	No. 1	07-09		17262-RZA-000	\$10.18	
12	No. 2	07-09		17263-RZA-910	\$14.18	
13	Bracket, Air Cleaner	07-09		17261-RZA-000	\$7.75	
		10		17261-REZ-A00	\$7.90	
14	Hose, Air Intake	07-0	.2	17251-RZA-000	\$9.45	

2010 Honda CR-V EX-L Utility

	10	.2	17251-REZ-A00	\$13.90
15 Chamber Assy, Air Flow	07-0	.3	17232-RZA-000	\$120.02
	10	.3	17232-REZ-A00	\$33.82
16 Duct, Side Air (b)			17233-RZA-000	\$6.55
17 Stay, Air Intake Duct (b)	07-09		17256-RZA-000	\$6.28
	10		17256-REZ-A00	\$14.72
(b) Included w/Air Flow Chamber Assy				
18 Tube, Air Intake			17255-RZA-000	\$8.47
19 Tube Assy, Air Intake	07-0	.3	17253-RZA-000	\$13.80
	10	.3	17253-REZ-A00	\$11.37
20 Tube, Resonator (c)	07-09		17237-RZA-000	\$3.50
	10		17237-REZ-A00	\$2.95
(c) Included w/Air Intake Tube Assy				
21 Chamber, Resonator	07-0	.4	17230-RZA-000	\$72.32
	10	.4	17230-REZ-A00	\$33.82

EXHAUST



R&I Exhaust System Complete

#1.2

R&R Exhaust System Complete

#1.8

#Does Not Include R&R Exhaust Manifold, Upper Catalytic Converter & Heat Shields

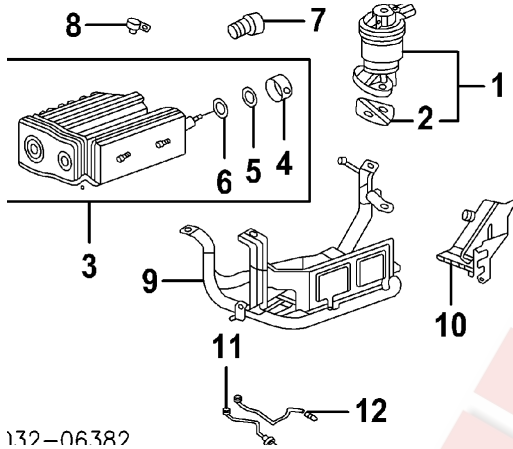
1	Manifold, Exhaust	07-0	#1.1	18100-RZA-000	\$333.01
		10	#1.1	N.A.	
#w/Exhaust System Removed					
2	Gasket, Manifold	07-09		18115-PRB-A01	\$13.47
		10		N.A.	
3	Stay, Manifold	07-09		11942-RZA-000	\$9.43
		10		N.A.	
4	Cover, Manifold	07-0	#.4	18120-RZA-A00	\$68.87
		10	#.4	N.A.	
#Included in R&R Exhaust Manifold					
5	Converter/Front Pipe	07-0	1.0	18160-RZA-A00	\$737.77
		10	1.0	18150-REZ-A01	\$226.74
Cover, Catalytic Converter					
6	Upper	07-09		18182-RZA-000	\$32.98
7	Lower	07-09		18181-RZA-000	\$32.98
8	Pipe, Intermediate				
	Japan Built	07-0	.9	18220-SWA-J01	\$347.87
		10	.9	18220-SWA-A11	\$297.52
	USA Built	07-0	.9	18220-SXS-A01	\$297.52
		10	.9	18220-SXS-A11	\$297.52
	Mexico Built	08-0	.9	18220-SXS-A01	\$297.52
		10	.9	18220-SXS-A11	\$297.52
9	Muffler				
	2007-09	.7		18307-SXS-A01	\$303.45

2010 Honda CR-V EX-L Utility

2010

	Japan Built		.7	18307-SWA-A11	\$303.45
	USA, Mexico Built		.7	18307-SXS-A11	\$303.45
10	Bolt, Joint			18231-S10-003	\$25.23
11	Gasket, Front Pipe			18229-SLJ-033	\$27.43
12	Gasket, Intermediate Pipe			18393-SS0-J30	\$9.28
13	Gasket, Rear Muffler	07-09		18229-SNE-A01	\$13.40
		10		18229-S7S-003	\$22.82
14	Rubber, Support				
	No. 1	07-09		18215-SWA-J01	\$5.07
		10		18215-STK-A11	\$5.73
	No. 2, (3)			18215-SNA-A01	\$5.47
	No. 3			18215-SMG-E11	\$6.15
15	Finisher, Pipe				
	Dealer Installed		.3	08F53-SWA-100	\$51.26
16	Plate, Heat Baffle				
	Japan Built		#.3	74601-SWA-A00	\$30.87
	USA Built		#.3	74601-SXS-A01	\$59.70
	Mexico Built	08-1	#.3	74601-SXS-A01	\$59.70
	#w/Exhaust System Removed				
17	Sensor, Front Oxygen-See Emission System Section				
18	Sensor, Rear Oxygen-See Emission System Section				

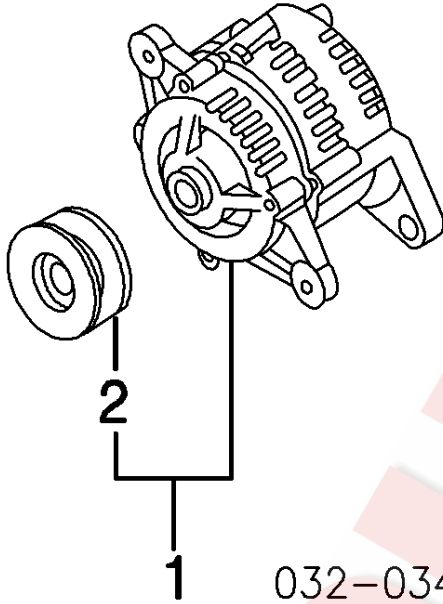
EMISSION SYSTEM



132-06382				
1	Valve Assy, EGR	07-0	1.0	18011-RRA-A00 \$118.33
		10	1.0	N.A.
2	Gasket, EGR Valve¶	07-09		18715-PB2-000 \$6.23
		10		N.A.
	¶Included w/EGR Valve Assy			
3	Canister Assy, Vapor		.8	17011-SWA-A01 \$195.27
4	Cap, Valve (a)			17321-SWA-A01 \$11.83
	O-Ring (a)			
5	Outer			91392-SNA-A01 \$2.40
6	Inner			91391-SNA-A01 \$2.40
	(a) Included w/Vapor Canister Assy			
7	Valve, Shut-Off		.4	17311-SWA-A01 \$99.25
8	Sensor, Vent Pressure		.4	37940-SNA-A01 \$75.88
9	Bracket, Canister			17358-SWA-A00 \$97.67
10	Plate, Mounting			17579-SWA-A00 \$6.17
11	Sensor, Front Oxygen	07-0 #.6		36531-RZA-013 \$165.90
		10 #.6		36531-R40-A01 \$158.75
12	Sensor, Rear Oxygen			
	2007-09			
	Japan Built		#.8	36532-RZA-004 \$89.57
	USA Built		#.8	36532-RZA-014 \$89.57
	Mexico Built	08-0	#.8	36532-RZA-014 \$89.57
		2010	#.8	36532-REZ-A01 \$89.57
	#R&R Both 1.0			

2010 Honda CR-V EX-L Utility

ELECTRICAL
ALTERNATOR



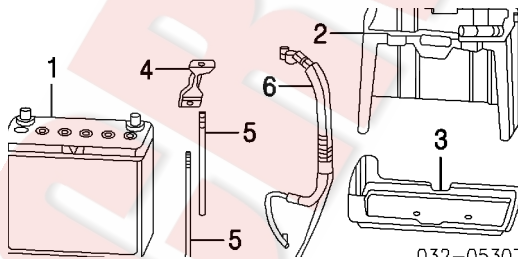
1	Alternator Assy	07-0	1.1	31100-RTA-023	\$300.47
		10	1.1	31100-RTA-033	\$300.47
2	Pulley, Alternator†	#.2		31141-RAA-A01	\$48.97

†Included w/Alternator Assy

#w/Alternator Assy Removed

Belt, Drive-See Cooling Section

BATTERY



1	Battery		.3	N.A.	
2	Cover, Battery			31531-SNA-000	\$6.65
3	Tray, Battery		#.5	31521-SWA-A00	\$8.35
	#Includes R&R Battery				
4	Plate, Battery Setting			31512-SA5-000	\$15.48
5	Bolt, Battery (2)			31513-SDA-A00	\$3.22

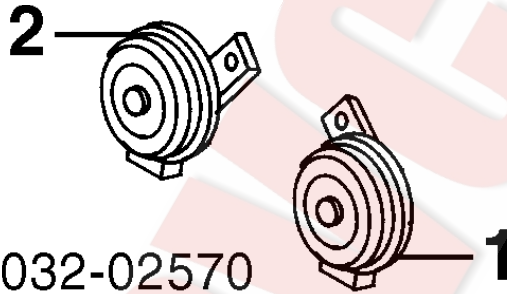
2010 Honda CR-V EX-L Utility

Cable, Positive-Serviced w/Engine Room Wire Harness

Harness, Engine Room Wire

EX, LX Model				
Japan Built	07-09	32200-SWA-A00	\$1,128.35	
	10	32200-SWA-A02	\$915.68	
USA Built	07-09	32200-SXS-A20	\$1,128.35	
	10	32200-SXS-A21	\$380.47	
Mexico Built	08-09	32200-SXS-A20	\$1,128.35	
	10	32200-SXS-A21	\$380.47	
EX-L Model				
Japan Built	07	32200-SWA-A10	\$1,128.35	
	08-09	32200-SWA-A11	\$891.02	
	10	32200-SWA-A12	\$915.68	
USA Built	07	32200-SXS-A30	\$1,128.35	
	08-09	32200-SXS-A31	\$359.25	
	10	32200-SXS-A32	\$3.43	
6 Cable, Negative	07-0	.5 32600-SWA-A00	\$26.73	
	10	.5 32600-SWA-A10	\$36.77	

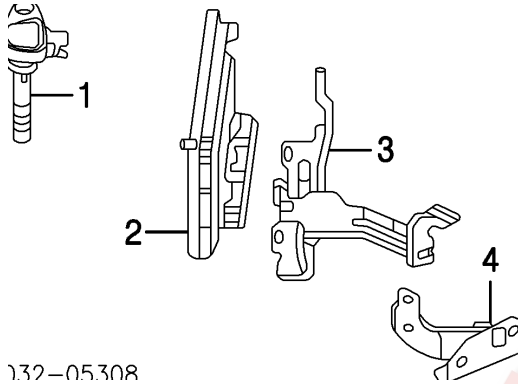
HORN



1 Horn, High Note	#.2	38150-SWA-A02	\$34.47
2 Horn, Low Note	#.2	38100-SWA-A02	\$34.47
#Both .3			

IGNITION

2010 Honda CR-V EX-L Utility

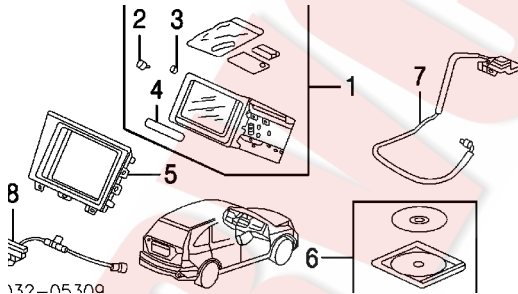


132-05308

R&R Ignition Coils Complete

		.6	
1 Coil, Ignition (4)		.4	30520-RRA-007 \$64.07
2 Module, Engine Control			
2WD	07	.7	37820-RZA-A57 \$474.70
	08-0	.7	37820-RZA-A57 \$474.70
	10	.7	37820-REZ-A53 \$672.85
4WD	07-0	.7	37820-RZA-A77 \$474.70
	10	.7	37820-REZ-A73 \$673.10
Bracket, Module			
3 No. 1			37821-RZA-900 \$17.77
4 No. 2			37822-RZA-000 \$6.23

NAVIGATION SYSTEM



132-05309

1 Display Assy, Navigation	2007	1.0	39540-SWA-305ZA \$4,089.32
	2008	1.0	39540-SWA-306ZA \$3,647.18
	2009		
		1.0	39540-SWA-305ZA \$4,089.32
		1.0	39540-SWA-316ZA \$3,647.18
	2010	1.0	39540-SWA-326ZA \$3,255.37
2 Knob, Volume			39543-SWA-A01 \$7.95
3 Knob, Navigation Display Unit			39544-SNA-A01ZD \$18.80
4 Cover, Display			39545-SNA-A01 \$15.63

¶ Included w/Navigation Display Assy

2010 Honda CR-V EX-L Utility

5 Panel, Center Cluster-See Instrument Panel Section

6 Navigation Unit

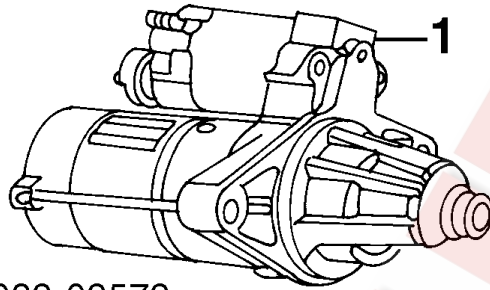
N.A.

7 Antenna, GPS

1.4 39835-SWA-A01 \$27.25

8 Camera, Rear View-See Liftgate Section

STARTER



032-02572

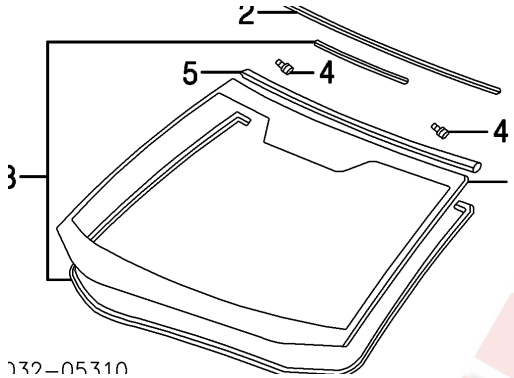
1 Starter

1.4 31200-RZA-A01 \$774.98

2010 Honda CR-V EX-L Utility

WINDSHIELD

Procedure 13



732-05310

R&I Windshield Glass Assy

#2.4

#Includes Clean Up Old Adhesive as Necessary

1 Glass, Windshield

Honda

Japan Built

#2.0

73111-SWA-A00

\$588.60

USA Built

#2.0

73111-SXS-A00

\$588.60

Mexico Built

08-10

73111-SXS-K00

\$588.60

NAGS

#2.0

FW02707GTN

\$273.35

#Includes Clean Up Old Adhesive as Necessary

Adhesive, Glass

N.A.

2 Seal, Upper

73125-SWA-000

\$8.48

3 Dam, Windshield

04731-SWA-000

\$19.25

4 Clip, Glass Upper

R

91568-SWA-A01

\$3.28

L

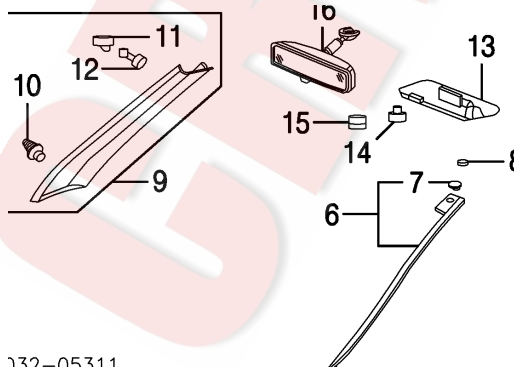
91568-SWA-A01

\$3.28

5 Moulding, Upper Reveal

73150-SWA-003

\$18.50



732-05311

6 Moulding Assy, Side Reveal

2010 Honda CR-V EX-L Utility

Japan Built	R	.3	73152-SXS-A01	\$39.07
	L	.3	73162-SXS-A01	\$39.07
USA Built	R	.3	73152-SXS-A01	\$39.07
	L	.3	73162-SXS-A01	\$39.07
Mexico Built	08-1 R	.3	73152-SXS-A01	\$39.07
	L	.3	73162-SXS-A01	\$39.07
7 Cap, Nut¶	R		73153-SWA-003	\$2.00
	L		73163-SWA-003	\$2.00
¶Included w/Side Reveal Moulding Assy				
8 Nut, Cap	R		90301-SV7-000	\$2.68
	L		90301-SV7-000	\$2.68
9 Moulding Assy, Pillar Garnish				
Gray	R	.3	84101-SWA-A01ZB	\$13.45
	L	.3	84151-SWA-A01ZB	\$13.45
Ivory	R	.3	84101-SWA-A01ZC	\$13.45
	L	.3	84151-SWA-A01ZC	\$13.45
Quartz	R	.3	84101-SWA-A01ZA	\$13.45
	L	.3	84151-SWA-A01ZA	\$13.45
10 Clip, No. 1 (a)	R		91560-SLJ-J01	\$0.28
	L		91560-S6A-003	\$2.10
11 Clip, No. 2 (a)	R		91561-SJK-J01	\$1.77
	L		91561-SJK-J01	\$1.77
12 Pin, Locator (a)	R		91562-SJK-003	\$4.67
	L		91562-SJK-003	\$4.67
(a) Included w/Pillar Garnish Moulding Assy				
13 Visor, Sun				
2007-08				
Gray	R	.2	83230-SWA-A82ZB	\$69.13
	L	.2	83280-SWA-A83ZB	\$67.25
Ivory	R	.2	83230-SWA-A82ZC	\$69.13
	L	.2	83280-SWA-A82ZC	\$67.25
Quartz	R	.2	83230-SWA-A82ZA	\$69.13
	L	.2	83280-SWA-A83ZA	\$67.25
			2009	
Japan Built				
Gray	R	.2	83230-SWA-A82ZB	\$69.13
	L	.2	83280-SWA-A83ZB	\$67.25
Ivory	R	.2	83230-SWA-A82ZC	\$69.13
	L	.2	83280-SWA-A82ZC	\$67.25
Quartz	R	.2	83230-SWA-A82ZA	\$69.13
	L	.2	83280-SWA-A83ZA	\$67.25
USA, Mexico Built				

2010 Honda CR-V EX-L Utility

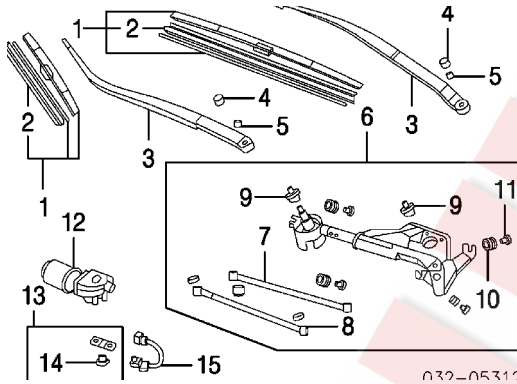
Gray	R	.2	83230-SWA-A83ZB	\$69.13
	L	.2	83280-SWA-A83ZB	\$67.25
Ivory	R	.2	83230-SWA-A83ZC	\$69.13
	L	.2	83280-SWA-A83ZC	\$67.25
Quartz	R	.2	83230-SWA-A83ZA	\$69.13
	L	.2	83280-SWA-A83ZA	\$67.25
2010				
Japan Built				
Gray	R	.2	83230-SWA-A91ZB	\$70.32
	L	.2	83280-SWA-A91ZB	\$78.38
Ivory	R	.2	83230-SWA-A91ZC	\$70.32
	L	.2	83280-SWA-A91ZC	\$78.38
Quartz	R	.2	83230-SWA-A91ZA	\$70.32
	L	.2	83280-SWA-A91ZA	\$78.47
USA, Mexico Built				
Gray	R	.2	83230-SWA-A83ZB	\$69.13
	L	.2	83280-SWA-A83ZB	\$67.25
Ivory	R	.2	83230-SWA-A83ZC	\$69.13
	L	.2	83280-SWA-A83ZC	\$67.25
Quartz	R	.2	83230-SWA-A83ZA	\$69.13
	L	.2	83280-SWA-A83ZA	\$67.25
14 Cap, Sun Visor				
Gray	R		83236-SEA-003ZR	\$0.60
	L		83236-SEA-003ZR	\$0.60
Ivory	R		83236-SEA-003ZP	\$0.60
	L		83236-SEA-003ZP	\$0.60
Quartz	R		83236-SEA-003ZQ	\$0.60
	L		83236-SEA-003ZQ	\$0.60
15 Holder, Sun Visor				
Japan Built				
Gray	R		88217-SDB-A01ZU	\$2.42
	L		88217-SDB-A01ZU	\$2.42
Ivory	R		88217-SDB-A01ZS	\$1.82
	L		88217-SDB-A01ZS	\$1.82
Quartz	R		88217-SDB-A01ZH	\$1.50
	L		88217-SDB-A01ZH	\$1.50
USA Built				
Gray	R		88217-S01-A01ZS	\$1.17
	L		88217-S01-A01ZS	\$1.17
Ivory	R		88217-S01-A01ZQ	\$1.18
	L		88217-S01-A01ZQ	\$1.18
Quartz	R		88217-S01-A01ZD	\$2.98
	L		88217-S01-A01ZD	\$2.98
Mexico Built				
Gray	08-0 R		88217-S01-A01ZS	\$1.17
	L		88217-S01-A01ZS	\$1.17

2010 Honda CR-V EX-L Utility

Ivory	08-0 R	88217-S01-A01ZQ	\$1.18
	L	88217-S01-A01ZQ	\$1.18
Quartz	08-0 R	88217-S01-A01ZD	\$2.98
	L	88217-S01-A01ZD	\$2.98

16 Mirror, Rear View			
Factory Installed		.2 76400-SEA-305	\$17.12
Dealer Installed		.2 08V03-S9A-100B	\$235.17

WIPER SYSTEM



1 Blade Assy, Wiper	R	.1	76630-SWA-A01	\$21.30
	L	.1	76620-SWA-A01	\$26.65
2 Insert, Blade¶	R	.1	76632-SWA-J01	\$4.95
	L		76622-STK-A01	\$5.37
¶Included w/Wiper Blade Assy				
3 Arm, Wiper	07-0 R	#.2	76610-SWA-A01	\$58.83
	L	#.2	76600-SWA-A01	\$53.27
	10 R	#.2	76610-SWA-A11	\$58.83
	L	#.2	76600-SWA-A11	\$58.83
#Includes R&R Wiper Blade Assy or Insert				
4 Cap, Wiper Arm	R		91611-SDA-A00	\$0.73
	L		91611-SDA-A00	\$0.73
5 Nut, Wiper Arm Cap	R		94001-12080-0S	\$0.68
	L		94001-12080-0S	\$0.68
6 Link Assy, Wiper		#.7	76530-SWA-A01	\$103.55
#Includes R&L/R&R Cowl Top Panel & Wiper Arms				
7 Rod, No. 1 Link (a)			76540-SWA-003	\$12.60
8 Rod, No. 2 Link (a)			76550-SWA-A01	\$12.60
9 Cap, Pivot (a)	R		76561-SEA-003	\$5.07
	L		76561-SEA-003	\$5.07
10 Rubber, Mount (3) (a)			76516-SR3-003	\$3.47
11 Collar, Rubber (a)			76517-SM4-003	\$2.70

2010 Honda CR-V EX-L Utility

(a) Included w/Wiper Link Assy

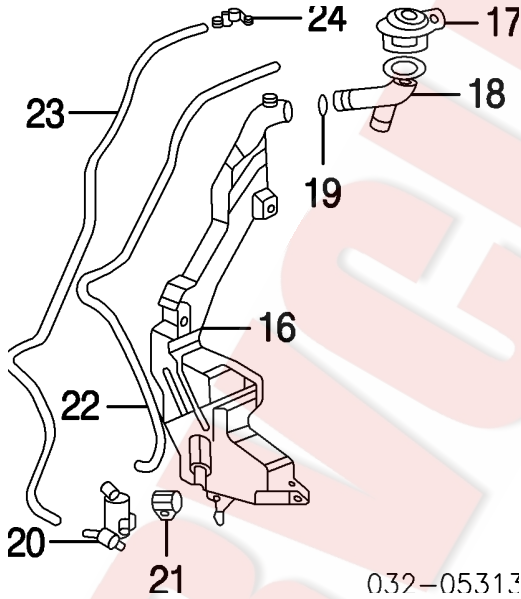
12 Motor, Wiper				
2007-09		#.8	76505-SWA-A02	\$71.57
	2010			
Japan Built		#.8	76505-SWA-A02	\$71.57
USA, Mexico Built		#.8	76505-TK4-A01	\$107.93
13 Link Assy, Motor		#.8	76520-SWA-003	\$9.62

#Includes R&I/R&R Cowl Top Panel & Wiper Arms

14 Seal, Dust (b)			76524-SL0-A01	\$7.18
-------------------	--	--	---------------	--------

(b) Included w/Motor Link Assy

15 Harness, Wiper Motor			76510-SWA-003	\$19.62
-------------------------	--	--	---------------	---------



16 Tank, Fluid				
Japan Built	07-0	#.3	76841-SWA-305	\$47.43
	10	#.3	76841-SWA-013	\$45.80
USA Built		#.3	76841-SXS-A01	\$18.48
Mexico Built	08-1	#.3	76841-SXS-A01	\$18.48

#w/Right Fender Liner Removed

17 Cap, Tank				
Japan Built			76802-SJD-003	\$4.27
USA Built			76802-S9V-A01	\$10.17
Mexico Built	08-10		76802-S9V-A01	\$10.17
18 Hose, Tank				
Japan Built	07-09		76805-SWA-003	\$12.58

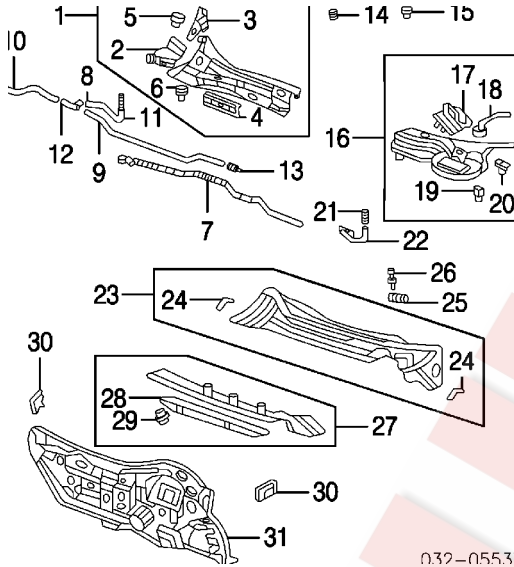
2010 Honda CR-V EX-L Utility

		10	76805-SWA-305	\$12.58
	USA Built		76805-SXS-A01	\$5.52
	Mexico Built	08-10	76805-SXS-A01	\$5.52
19	Gasket, Tank			
	Japan Built		76809-SWA-003	\$2.62
	USA Built		76809-SXS-A01	\$3.02
	Mexico Built	08-10	76809-SXS-A01	\$3.02
20	Motor, Washer			
	Japan Built	#.2	76806-SMA-J01	\$50.22
	USA Built	#.2	76806-STK-A01	\$25.10
	Mexico Built	08-1 #.2	76806-STK-A01	\$25.10
	#w/Right Fender Liner Removed, Included in R&R Fluid Tank			
21	Bushing, Washer Tank			
	Japan Built		76842-S2K-J11	\$3.27
	USA Built		76842-SHJ-A01	\$2.83
	Mexico Built	08-10	76842-SHJ-A01	\$2.83
	Tube, Washer			
22	No. 1			
	Japan Built		76834-SWA-003	\$4.52
	USA Built		76828-SXS-A01	\$9.80
	Mexico Built	08-10	76828-SXS-A01	\$9.80
23	No. 2			
	Japan Built		76837-SWA-003	\$5.02
	USA Built		76827-SXS-A01	\$78.03
	Mexico Built	08-10	76827-SXS-A01	\$78.03
24	Joint, Tube			
	Japan Built		38562-SA0-003	\$5.07
	USA Built		76828-SH0-A02	\$1.45
	Mexico Built	08-10	76828-SH0-A02	\$1.45

Nozzle, Washer-See Cowl & Dash Section

COWL & DASH

Procedures 14 and 28



Refinish Dash Panel

Refinish Cowl Top Panel

			1.5		
			1.0		
1	Grille Assy, Right Cowl Top	R	#.4	74228-SXS-A00	\$66.83
	#R&R Complete Right & Left				
2	Lid, Cowl Top¶	R		74225-SWA-A00	\$12.38
3	Cover, Hood Hinge¶	R		74222-SWA-A00	\$5.47
4	Cover, Center¶	R		74226-SWA-A00	\$3.28
	Clip, Cowl Top¶				
5	No. 1	R		90602-SLJ-003	\$1.82
6	No. 2, (4)	R		90603-SLJ-003	\$2.07
	¶Included w/Right Cowl Top Grille Assy				
7	Seal, Hood Rear		.2	74143-SWA-A00	\$36.57
8	Nozzle, Washer				
	Japan Built	R	.2	76810-SWA-003	\$11.77
	USA Built	R	.2	76810-SXS-A01	\$12.17
	Mexico Built	08-1 R	.2	76810-SXS-A01	\$12.17
	Tube, W/S Washer				
9	No. 1				
	Japan Built	R		76837-SJA-C01	\$3.98
	USA Built	R		76837-SXS-A01	\$11.00
	Mexico Built	08-1 R		76837-SXS-A01	\$11.00
10	No. 2				
	Japan Built	R		76832-SWA-003	\$1.93
	USA Built	R		76868-SHJ-A01	\$12.85
	Mexico Built	08-1 R		76868-SHJ-A01	\$12.85

2010 Honda CR-V EX-L Utility

11	No. 3				
	Japan Built		R	76870-SWA-N01	\$1.58
	USA Built		R	76832-S3V-A00	\$11.63
	Mexico Built		08-1 R	76832-S3V-A00	\$11.63
12	Joint, "Y"				
	Japan Built		R	76830-SL0-003	\$7.62
	USA Built		R	76830-SR0-004	\$5.98
	Mexico Built		08-1 R	76830-SR0-004	\$5.98
13	Joint, Tube				
	Japan Built		R	38562-663-920	\$4.63
	USA Built		R	76829-SM1-004	\$4.75
	Mexico Built		08-1 R	76829-SM1-004	\$4.75
	Clip, Cowl				
14	No. 1, (3)				
	Japan Built			91501-SEA-003	\$2.05
	USA Built			91501-SNA-003	\$0.28
	Mexico Built		08-10	91501-SNA-003	\$0.28
15	No. 2			91501-SL4-003	\$2.42
16	Grille Assy, Left Cowl Top				
	Japan Built		L #.4	74218-SXS-A00	\$46.05
	USA Built		L #.4	74218-SXS-A00	\$46.05
	Mexico Built		L #.4	74218-SXS-A00	\$46.05
	#Includes R&R Wiper Arm				
17	Lid, Cowl Top (b)		L	74215-SWA-A00	\$12.38
18	Cover, Hood Hinge (b)		L	74212-SWA-A00	\$5.47
	Clip, Cowl Top (b)				
19	No. 1, (4)		L	90603-SLJ-003	\$2.07
20	No. 2		L	90602-SLJ-003	\$1.82
	(b) Included w/Left Cowl Top Grille Assy				
21	Nozzle, Washer				
	Japan Built		L	76815-SWA-003	\$11.77
	USA Built		L	76815-SXS-A01	\$15.58
	Mexico Built		L	76815-SXS-A01	\$15.58
22	Tube, Washer				
	Japan Built		L	76870-SWA-N01	\$1.58
	USA Built		L	76868-S9V-A01	\$11.83
	Mexico Built		L	76868-S9V-A01	\$11.83
23	Panel Assy, Cowl Top				
	Japan Built		07-0	7.5 61100-SWA-A00ZZ	\$414.22
			09-1	7.5 61100-SWA-A01ZZ	\$430.87
	USA Built			7.5 61100-SXS-A01ZZ	\$194.55
	Mexico Built		08-1	7.5 61100-SXS-A01ZZ	\$194.55
24	Bracket, Fender (d)		R	61131-SWA-A00ZZ	\$6.35
			L	61131-SWA-A00ZZ	\$6.35

2010 Honda CR-V EX-L Utility

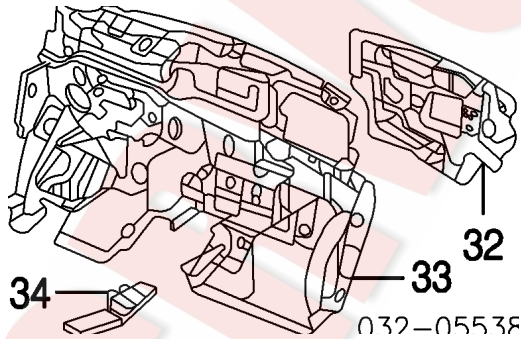
(d) Included w/Cowl Top Panel Assy

25	Plate, VIN		74250-SNA-A00	\$1.20
26	Rivet, Plate	07	90671-SHJ-A01	\$0.42
		08-10	90671-SHJ-A02	\$0.42
			74500-SXS-A00	
27	Extension Assy, Cowl Top Panel			\$90.83
28	Insulator, Cowl (e)		74252-SWA-A00	\$16.20
29	Clip, Insulator (5) (e)		91517-SE0-003	\$3.12

(e) Included w/Cowl Top Panel Extension Assy

30	Gusset, Pillar	R	74420-SWA-A00ZZ	\$0.73
		L	74470-SWA-A00ZZ	\$0.73
31	Panel, Dash			
	2007-09			
	Japan Built	#14.0	61500-SWA-A00ZZ	\$473.40
	USA Built	#14.0	61500-SXS-A00ZZ	\$302.35
	Mexico Built	08-0 #14.0	61500-SXS-A00ZZ	\$302.35
		2010		
	Japan Built			
	EX, EX-L	#14.0	61500-SWA-K00ZZ	\$478.77
	LX Model	#14.0	61500-SWA-A00ZZ	\$473.40
	USA, Mexico Built	#14.0	61500-SXS-A01ZZ	\$302.35

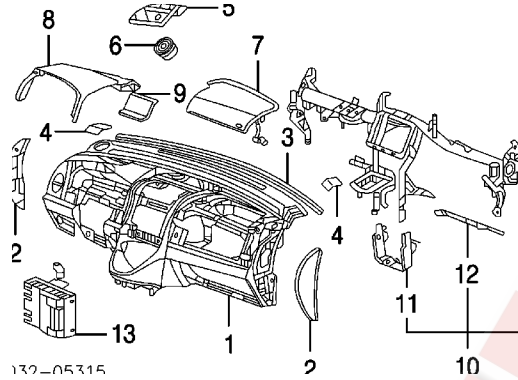
#w/Cowl Top Panel Assy Removed Deduct 2.5



32	Insulator, Dash Outer			
	Japan Built		74251-SWA-A00	\$33.85
	USA Built		74251-SXS-A00	\$53.95
	Mexico Built	08-10	74251-SXS-A00	\$53.95
33	Insulator, Dash Inner	07-09	74260-SWA-A00	\$116.92
		10	74260-SWA-A01	\$127.30
34	Bracket, Footrest		74255-SWA-A00	\$12.05

INSTRUMENT PANEL

Procedure 14



132-05315

R&I Instrument Panel Assy

#5.8

#Includes R&I Steering Column & Center Console

NOTE: All Parts in this section are included in R&I Instrument Panel Assy unless noted otherwise.

1 Panel, Instrument

Black

Japan Built

07-0 #7.2

77100-SWA-A10ZB \$562.03

10 #7.2

77100-SWA-A12ZB \$523.63

USA Built

07-0 #7.2

77100-SWA-A00ZB \$269.55

10 #7.2

77100-SWA-A02ZB \$269.55

Mexico Built

08-0 #7.2

77100-SWA-A00ZB \$269.55

10 #7.2

77100-SWA-A02ZB \$269.55

Gray

Japan Built

07-0 #7.2

77100-SWA-A10ZA \$562.03

10 #7.2

77100-SWA-A12ZA \$523.63

USA Built

07-0 #7.2

77100-SWA-A00ZA \$269.55

10 #7.2

77100-SWA-A02ZA \$269.55

Mexico Built

08-0 #7.2

77100-SWA-A00ZA \$269.55

10 #7.2

77100-SWA-A02ZA \$269.55

Ivory

Japan Built

07-0 #7.2

77100-SWA-A10ZC \$562.03

10 #7.2

77100-SWA-A12ZC \$523.63

USA Built

07-0 #7.2

77100-SWA-A02ZC \$269.55

10 #7.2

77100-SWA-A02ZC \$269.55

Mexico Built

08-0 #7.2

77100-SWA-A02ZC \$269.55

10 #7.2

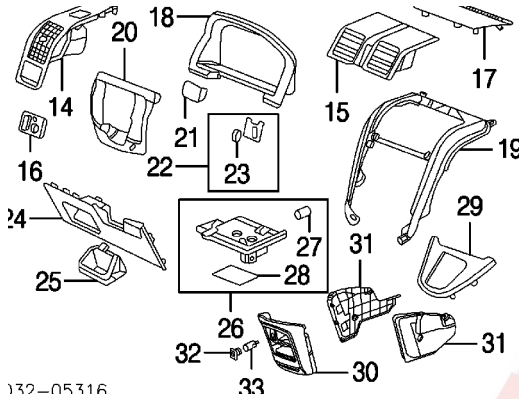
77100-SWA-A12ZC \$523.63

#Includes R&I Steering Column & Center Console

2010 Honda CR-V EX-L Utility

	L	.2	77215-SWA-A02ZA	\$12.67
	10 R	.2	77210-SWA-A02ZA	\$12.67
	L	.2	77215-SWA-A02ZA	\$12.67
3 Seal, Instrument Panel			77466-SEA-010	\$8.47
4 Lid, Tweeter				
LX Model	R	.2	77131-SWA-A01ZA	\$3.97
	L	.2	77136-SWA-A01ZA	\$3.97
5 Grille, Speaker	R	.3	39122-SWA-A01ZA	\$11.27
	L	.3	39127-SWA-A01ZA	\$11.27
6 Speaker, Tweeter				
Matsushita Brand	R	#.4	39120-SED-E11	\$54.02
	L	#.4	39120-SED-E11	\$54.02
Pioneer Brand	R	#.4	39120-SJC-A11	\$26.42
	L	#.4	39120-SJC-A11	\$26.42
#R&R Both Sides		.6		
7 Module, Passenger Air Bag-See Air Bag System Section				
8 Visor, Meter Outer		.5	77220-SWA-A02ZA	\$56.35
9 Insulator, Panel			77107-SWA-A00	\$6.92
10 Reinforcement Assy, Instrument Panel				
2007-09				
Japan Built		#.8	61300-SWA-A00ZZ	\$295.88
USA Built		#.8	61300-SXS-A00ZZ	\$132.45
Mexico Built	08-0	#.8	61300-SXS-A00ZZ	\$132.45
2010				
Japan Built				
EX, EX-L Model		#.8	61300-SWA-A20ZZ	\$300.70
LX Model		#.8	61300-SWA-A01ZZ	\$293.35
USA Built				
EX, EX-L Model		#.8	61300-SXS-A20ZZ	\$132.45
LX Model		#.8	61300-SXS-A01ZZ	\$132.45
Mexico Built				
EX Model		#.8	61300-SXS-A20ZZ	\$132.45
LX Model		#.8	61300-SXS-A01ZZ	\$132.45
#w/Instrument Panel Removed, Not Included in R&R Instrument Panel				
11 Bracket, Reinforcement (a)			77150-SWA-A00	\$17.75
12 Frame, Glove Box (a)			77550-SWA-A00	\$29.02
(a) Included w/Instrument Panel Reinforcement Assy				
13 Amplifier, Radio		.7	39186-SWA-A01	\$436.48

2010 Honda CR-V EX-L Utility



132-05316

14 Outlet, Side					
2007-09					
Japan Built					
Gray		R	.4	77630-SWA-A01ZA	\$48.18
		L	.4	77625-SWA-G01ZA	\$62.15
Titanium		R	.4	77630-SWA-A01ZB	\$48.18
		L	.4	77625-SWA-G01ZB	\$62.15
USA Built					
Gray		R	.4	77630-SWA-A01ZA	\$48.18
		L	.4	77625-SWA-A01ZA	\$46.07
Titanium		R	.4	77630-SWA-A01ZB	\$48.18
		L	.4	77625-SWA-A01ZB	\$46.07
Mexico Built					
Gray	08-0	R	.4	77630-SWA-A01ZA	\$48.18
		L	.4	77625-SWA-A01ZA	\$46.07
Titanium	08-0	R	.4	77630-SWA-A01ZB	\$48.18
		L	.4	77625-SWA-A01ZB	\$46.07
	2010				
Japan Built		R	.4	77630-SWA-A12ZA	\$47.68
		L	.4	77625-SWA-G12ZA	\$61.28
USA, Mexico Built		R	.4	77630-SWA-A12ZA	\$47.68
		L	.4	77625-SWA-A11ZA	\$52.02
15 Outlet, Center	07-0		.5	77610-SWA-A01ZA	\$85.82
	10		.5	77610-SWA-A12ZA	\$56.35
16 Garnish, Switch		L		77226-SWA-A01ZA	\$27.72
17 Lid, Upper Inst Pnl	07-0		.3	77260-SWA-A02ZA	\$16.88
	10		.3	77260-SWA-A02ZA	\$16.88
18 Bezel, Meter Cluster	07-0		.4	77200-SWA-A01ZA	\$21.68
	10		.4	77200-SWA-A02ZA	\$21.68
19 Panel, Center Trim					
2007-09					
Japan Built					
Gray			.5	77250-SWA-A11ZA	\$42.92
Titanium			.5	77250-SWA-A11ZB	\$42.92

2010 Honda CR-V EX-L Utility

USA Built			
Gray		.5 77250-SWA-A01ZA	\$25.58
Titanium		.5 77250-SWA-A01ZB	\$25.58
Mexico Built			
Gray	08-0	.5 77250-SWA-A01ZA	\$25.58
Titanium	08-0	.5 77250-SWA-A01ZB	\$25.58
2010			
Japan Built		.5 77250-SWA-A12ZC	\$43.65
USA, Mexico Built		.5 77250-SWA-A01ZC	\$26.02
20 Cover, Column	07-0	.5 77370-SWA-A01ZA	\$16.27
	10	.5 77370-SWA-A02ZA	\$16.27
21 Cover, Outer	L	77310-SWA-A01ZA	\$3.83
22 Cover Assy, Inner	L	77315-SWA-A02ZA	\$60.58
	L	77315-SWA-A02ZA	\$60.58
23 Cover, Hole (b)	L	77316-SWA-A01ZA	\$0.73
(b) Included w/Inner Cover Assy			
24 Cover, Lower			
Black	L	.3 77301-SWA-A01ZB	\$46.17
	L	.3 77301-SWA-A02ZB	\$46.17
Gray	L	.3 77301-SWA-A02ZA	\$46.17
	L	.3 77301-SWA-A02ZA	\$46.17
Ivory	L	.3 77301-SWA-A01ZC	\$46.17
	L	.3 77301-SWA-A02ZC	\$46.17
25 Pocket, Driver Side			
2007-09			
EX, EX-L Model			
Black	L	.2 77302-SWA-A51ZB	\$29.83
Gray	L	.2 77302-SWA-A51ZA	\$29.83
Ivory	L	.2 77302-SWA-A51ZC	\$29.83
LX Model			
Black	L	.2 77302-SWA-A01ZB	\$29.83
Gray	L	.2 77302-SWA-A01ZA	\$29.83
Ivory	L	.2 77302-SWA-A01ZC	\$29.83
2010			
Black	L	.2 77302-SWA-A01ZB	\$29.83
Gray	L	.2 77302-SWA-A01ZA	\$29.83
Ivory	L	.2 77302-SWA-A01ZC	\$29.83
26 Cover Assy, Under	L	.4 77340-SWA-A01ZA	\$11.20
	L	.4 77340-SWA-A04ZA	\$23.55
27 Cap, Cover (c)	L	66844-SA7-000	\$4.47
28 Label, Fuse (c)	L	38205-SWA-A00	\$0.62

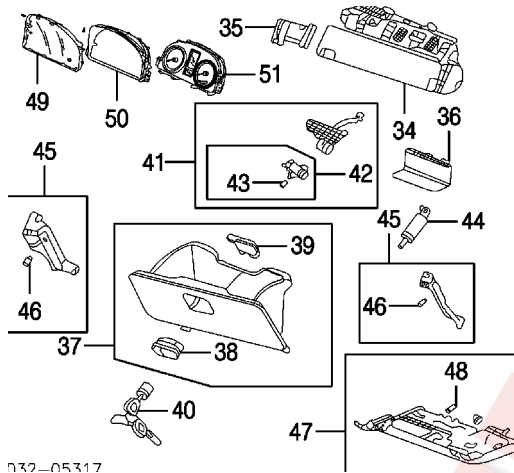
(c) Included w/Under Cover Assy

29 Plate, Shifter Trim

2010 Honda CR-V EX-L Utility

2007-09			
EX, LX Model			
Gray		.4	77270-SWA-A01ZA \$16.88
Titanium		.4	77270-SWA-A02ZB \$16.88
EX-L Model			
Gray		.4	77271-SWA-E01ZA \$17.17
Titanium		.4	77271-SWA-E01ZB \$17.17
2010			
EX, EX-L Model		.4	77271-SWA-E01ZC \$17.33
LX Model		.4	77270-SWA-A02ZC \$16.88
30 Cover, Center Lower			
Black	07-0	.3	77291-SWA-A01ZB \$77.47
	10	.3	77291-SWA-A11ZB \$90.67
Gray	07-0	.3	77291-SWA-A01ZA \$77.47
	10	.3	77291-SWA-A11ZB \$90.67
Ivory	07-0	.3	77291-SWA-A01ZC \$77.47
	10	.3	77291-SWA-A11ZC \$90.67
31 Cover, Lower Side			
Black	07-0 R	.2	77295-SWA-A01ZB \$11.32
	L	.2	77296-SWA-A01ZB \$12.27
	10 R	.2	77295-SWW-G03ZB\$137.27
Gray	L	.2	77296-SWW-G03ZB\$109.82
	07-0 R	.2	77295-SWA-A02ZA \$11.32
	L	.2	77296-SWA-A02ZA \$12.27
Ivory	10 R	.2	77295-SWW-G03ZA\$137.27
	L	.2	77296-SWW-G03ZA\$109.82
	07-0 R	.2	77295-SWA-A01ZC \$13.67
	L	.2	77296-SWA-A01ZC \$13.55
	10 R	.2	77295-SWW-G03ZC\$149.92
	L	.2	77296-SWW-G03ZC\$109.82
32 Cap, Socket			39620-SNA-003 \$5.97
33 Socket, Lighter			39624-SZ3-L01 \$9.38

2010 Honda CR-V EX-L Utility



032-05317

34 Tray, Passenger Side				
2007-09				
Gray		.5	77330-SWA-A01ZA	\$74.53
Titanium		.5	77330-SWA-A01ZB	\$74.53
	2010	.5	77330-SWA-A12ZA	\$69.35
35 Lid, Side Garnish			77335-SWA-A01	\$3.15
36 Lid, Maintenance				
2007-09			77333-SWA-A01	\$12.62
	2010			
EX, EX-L Model			77336-SWA-A01	\$16.88
LX Model			77333-SWA-A01	\$12.62
37 Box Assy, Glove				
Black	07-0	.5	77500-SWA-A01ZB	\$86.70
	10	.5	77500-SWA-A03ZB	\$86.70
Gray	07-0	.5	77500-SWA-A01ZA	\$86.70
	10	.5	77500-SWA-A03ZA	\$86.70
Titanium	07-0	.5	77500-SWA-A01ZC	\$86.70
	10	.5	77500-SWA-A03ZC	\$86.70
38 Lock, Glove Box (d)				
Black		.2	77540-SWA-A01ZB	\$21.88
Gray		.2	77540-SWA-A01ZA	\$21.88
Titanium		.2	77540-SWA-A01ZC	\$21.88
39 Cover, Access (d)			77504-SWA-A01ZA	\$2.15
(d) Included w/Glove Box Assy				
40 Cylinder, Glove Box¶		.3	77520-SDA-A01	\$21.23
¶Included w/Complete Lock Set-listed in Steering Wheel/Column Section				
41 Striker Assy, Glove Box	07-09		77541-SWA-A00	\$23.55
	10		77541-SWA-A20	\$11.10
42 Lamp Assy, Glove Box (e)	07-09		34254-SWA-003	\$12.18

2010 Honda CR-V EX-L Utility

	10	N.A.	
43 Bulb, Lamp (e) () (f)	07-09	34253-SNA-003	\$3.65
	10	N.A.	

(f) Included w/Glove Box Lamp Assy

(e) Included w/Glove Box Striker Assy

44 Damper, Glove Box		.3 77530-SWA-A01	\$10.75
45 Cover Assy, Glove Box			
Black	R	.3 77510-SWA-A01ZB	\$6.72
	L	.3 77515-SWA-A01ZB	\$5.42
Gray	R	.3 77510-SWA-A01ZA	\$6.72
	L	.3 77515-SWA-A01ZA	\$5.42
Titanium	R	.3 77510-SWA-A01ZC	\$6.72
	L	.3 77515-SWA-A01ZC	\$5.42
46 Clip, Cover (g)	R	77509-SLJ-003	\$1.73
	L	77509-SLJ-003	\$1.73

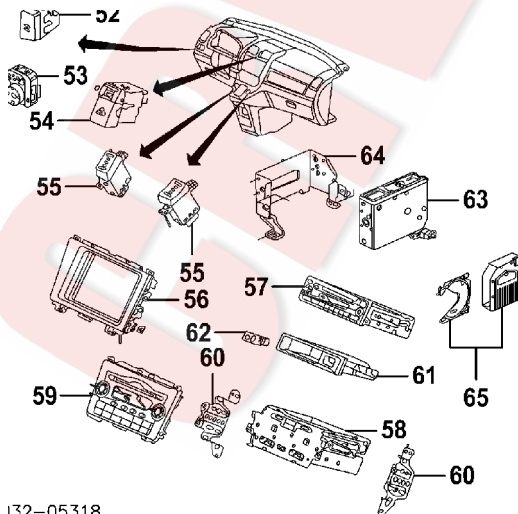
(g) Included w/Glove Box Cover Assy

47 Cover Assy, Under	R	.4 77345-SWA-A03ZA	\$15.97
48 Cap, Cover (2) (h)	R	66844-SA7-000	\$4.47

(h) Included w/Under Cover Assy

49 Lens, Meter	#1.0	78156-SWA-J01	\$5.70
50 Visor, Meter	#1.0	78155-SWA-J01	\$8.63
51 Meter			
2WD	#1.0	78120-SWA-A03	\$424.30
4WD	#1.0	78120-SWA-A23	\$424.30

#R&R Complete

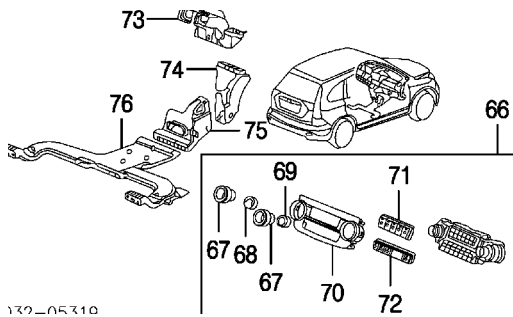


2010 Honda CR-V EX-L Utility

52	Switch, Vehicle Stability	07-0	.3	35300-SMA-003	\$30.35
		10	.3	35300-TK6-003	\$28.67
53	Switch, Mirror Control		.2	35190-SWA-A02	\$19.80
54	Switch, Hazard		.2	35510-SWA-A01	\$19.98
55	Switch, Heated Seat				
	2007-09				
	Gray	R	.2	35600-SWA-A01ZA	\$23.55
		L	.2	35650-SWA-A01ZA	\$23.55
	Titanium	R	.2	35600-SWA-A01ZB	\$23.55
		L	.2	35650-SWA-A01ZB	\$23.55
		2010			
		R	.2	35600-SWA-A01ZC	\$20.68
		L	.2	35650-SWA-A01ZC	\$20.68
56	Panel, Center Cluster		.9	39811-SWA-A01ZA	\$23.66
	Radio				
57	Clarion Brand				
	LX Model		.7	39100-SWA-305	\$828.53
58	Matsushita Brand				
	EX Model		.7	39107-SWA-A01	\$1,951.60
		10	.7	39107-SWA-A02	\$2,109.00
	EX-L Model	07	.7	39107-SWA-A21	\$1,951.60
		08-0	.7	39107-SWA-A11	\$1,947.40
		10	.7	39107-SWA-A12	\$3,274.66
59	Panel, Radio Finish				
	EX Model	07-0	.6	39106-SWA-305	\$872.74
		10	.6	39106-SWA-315	\$907.90
	EX-L Model	07	.6	39106-SWA-306	\$872.74
		08-0	.6	39106-SWA-307	\$538.96
		10	.6	39106-SWA-316	\$907.90
60	Bracket, Radio	R		77255-SWA-A00	\$7.47
		L		77256-SWA-A00	\$7.47
61	Pocket, Radio			39116-SWA-003	\$29.60
62	Jack, Aux Audio			39112-SMA-003	\$50.86
63	Changer, CD		.7	39115-SWA-A01	\$584.48
64	Bracket, Changer			39111-SWA-000	\$37.13
65	Magazine, CD	#		39119-S2X-003	\$54.54

#Not Included in R&R Instrument Panel

2010 Honda CR-V EX-L Utility



132-05310

66 Control Assy, Heater

		2007		
EX, LX Model				
	Japan Built	.6	79500-SWA-A01ZA	\$481.67
	USA Built	.6	79500-SWA-A11ZA	\$376.62
EX-L Model				
	Japan Built	.6	79500-SWA-C01ZA	\$481.67
	USA Built	.6	79500-SWA-C11ZA	\$488.73
		2008		
EX, LX Model				
	Japan Built	.6	79500-SWA-A01ZA	\$481.67
	USA, Mexico Built	.6	79500-SWA-A11ZA	\$376.62
EX-L Model				
		.6	79600-SWA-A41ZA	\$619.77
		2009		
EX, LX Model				
	Japan Built	.6	79500-SWA-A01ZA	\$481.67
	USA, Mexico Built	.6	79500-SWA-A11ZA	\$376.62
EX-L Model				
	Japan Built	.6	79600-SWA-A41ZA	\$619.77
	USA, Mexico Built	.6	79600-SWA-A51ZA	\$590.48
		2010		
EX, LX Model				
	Japan Built	.6	79500-SWA-A02ZA	\$475.02
	USA, Mexico Built	.6	79500-SWA-A12ZA	\$453.40
EX-L Model				
	Japan Built	.6	79600-SWA-A42ZA	\$682.85
	USA Built	.6	79600-SWA-A52ZA	\$574.97
67	Knob, Dial (2) (i)			
EX, LX Model				
	Japan Model		79504-SWA-A01ZA	\$12.50
	USA Model		79504-SWA-A11ZA	\$13.00
	Mexico Built	08-10	79504-SWA-A11ZA	\$13.00
EX-L Model				
	2007-09		79611-SWA-A41ZA	\$8.15
		2010		
	Japan Built		79611-SWA-A41ZA	\$8.15

2010 Honda CR-V EX-L Utility

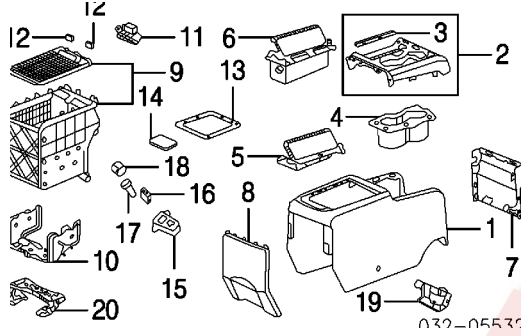
	USA Built		79611-SWA-A51ZA	\$8.15
	Bezel, Knob (i)			
68	Fan			
	EX, LX Model			
	Japan Built		79506-SWA-A01ZA	\$12.50
	USA Built		79506-SWA-A11ZA	\$13.00
	Mexico Built	08-10	79506-SWA-A11ZA	\$13.00
	EX-L Model		N.A.	
69	Temperature			
	EX, LX Model			
	Japan Built		79505-SWA-A01ZA	\$12.50
	USA Built		79505-SWA-A11ZA	\$13.00
	Mexico Built	08-10	79505-SWA-A11ZA	\$13.00
	EX-L Model			
	2007-09		79604-SWA-A41ZA	\$12.35
		2010		
	Japan Built		79604-SWA-A41ZA	\$12.35
	USA Built		79604-SWA-A51ZA	\$56.98
70	Panel, Face (i)			
	EX, LX Model			
	Japan Built	07-09	79501-SWA-A01ZA	\$39.88
		10	79501-SWA-A02ZA	\$39.63
	USA Built	07-09	79501-SWA-A11ZA	\$41.52
		10	79501-SWA-A12ZA	\$86.67
	Mexico Built	08-09	79501-SWA-A11ZA	\$41.52
		10	79501-SWA-A12ZA	\$86.67
	EX-L Model			
	2007-09		79601-SWA-A41ZA	\$48.25
		2010		
	Japan Built		79601-SWA-A42ZA	\$48.62
	USA Built		79601-SWA-G41ZA	\$49.83
	Knob Set, Control (i)			
71	Upper			
	EX, LX Model			
	Japan Built	07-09	79502-SWA-A01ZA	\$39.12
		10	79502-SWA-A02ZA	\$40.43
	USA Built	07-09	79502-SWA-A11ZA	\$108.80
		10	79502-SWA-A12ZA	\$97.50
	Mexico Built	08-09	79502-SWA-A11ZA	\$108.80
		10	79502-SWA-A12ZA	\$97.50
	EX-L Model			
	2007-09		79602-SWA-A41ZA	\$38.63
		2010		
	Japan Built		79602-SWA-A42ZA	\$40.43
	USA Built		79602-SWA-A52ZA	\$82.73
72	Lower			

2010 Honda CR-V EX-L Utility

EX, LX Model			
Japan Built	07-09	79503-SWA-A01ZA	\$39.12
	10	79503-SWA-A02ZA	\$38.92
USA Built			
	07-09	79503-SWA-A11ZA	\$38.38
	10	79503-SWA-A12ZA	\$91.25
Mexico Built			
	08-09	79503-SWA-A11ZA	\$38.38
	10	79503-SWA-A12ZA	\$91.25
EX-L Model			
2007-09		79603-SWA-A41ZA	\$4.23
	2010		
Japan Built		79603-SWA-A42ZA	\$52.33
USA Built		79603-SWA-A52ZA	\$90.47
(i) Included w/Heater Control Assy			
73 Duct, Center	#.3	77410-SWA-A02	\$46.38
74 Duct, Heater Front	07-0 #.2	83333-SWA-A01	\$26.58
	10 #.2	83333-SWA-A02	\$26.38
75 Joint, Air Duct	#.1	83332-SWA-A01	\$22.18
76 Duct, Heater Rear	#.5	83331-SWA-A01	\$78.43
#w/Instrument Panel Removed, Not Included in R&R Instrument Panel			
Harness, Instrument Panel			
EX Model			
	07-0 #	32117-SWA-A00	\$345.12
	10 #	32117-SWA-A02	\$256.83
EX-L Model			
w/Navigation System			
	07 #	32117-SWA-A20	\$536.17
	08-0 #	32117-SWA-A21	\$365.55
	10 #	32117-SWA-A22	\$490.45
w/o Navigation System			
	07 #	32117-SWA-A10	\$703.18
	08-0 #	32117-SWA-A11	\$313.48
	10 #	32117-SWA-A12	\$411.20
LX Model			
	07-0 #	32117-SWA-A30	\$636.90
	10 #	32117-SWA-A31	\$308.50
#Not Included in R&R Instrument Panel			

CENTER CONSOLE

Procedure 14



R&I Center Console Assy

.5

NOTE: All Parts in this section are included in R&R Console Box unless noted otherwise.

1 Console, Center			
Black	.8	83401-SWA-J01ZB	\$26.60
Gray	.8	83401-SWA-J01ZA	\$26.60
Ivory	.8	83401-SWA-J01ZC	\$26.60
2 Panel Assy, Console Finish			
2007-09			
Gray			
w/Navigation System	.3	83454-SWA-A11ZA	\$63.10
w/o Navigation System	.3	83454-SWA-A01ZA	\$32.05
Titanium			
w/Navigation System	.3	83454-SWA-A11ZB	\$63.10
w/o Navigation System	.3	83454-SWA-A01ZB	\$32.05
		2010	
w/Navigation System	.3	83454-SWA-A11ZC	\$91.93
w/o Navigation System	.3	83454-SWA-A01ZC	\$91.93
3 Cushion, Stopper¶			
w/Navigation System		83401-SWA-A11	\$2.33
w/o Navigation System		83469-SWA-A01	\$2.33
¶Included w/Console Finish Panel Assy			
4 Holder, Cup	.2	83404-SWA-A01	\$10.65
Pocket, Console			
5 w/Navigation System			
2007-09			
Gray	.3	83451-SWA-A11ZB	\$54.73
Titanium	.3	83451-SWA-A11ZC	\$54.73
		2010	
w/o Navigation System	.3	83451-SWA-A11ZD	\$69.53
6 w/o Navigation System			
2007-09			
Gray	.3	83451-SWA-A01ZB	\$45.80

2010 Honda CR-V EX-L Utility

	Titanium		.3	83451-SWA-A01ZC	\$45.80
		2010	.3	83451-SWA-A01ZD	\$46.38
	Cover, Console End				
7	Front				
	Black		.5	83431-SWA-J01ZB	\$2.47
	Gray		.5	83431-SWA-J01ZA	\$2.47
	Ivory		.5	83431-SWA-J01ZC	\$7.11
8	Rear				
	Black		.5	83457-SWA-J01ZB	\$5.65
	Gray		.5	83457-SWA-J01ZA	\$5.65
	Ivory		.5	83457-SWA-J01ZC	\$5.65
9	Box, Center Console				
	w/Navigation System				
	Black		.4	83456-SWA-A11ZB	\$52.57
	Gray		.4	83456-SWA-A11ZA	\$52.57
	Ivory		.4	83456-SWA-A11ZC	\$52.57
	w/o Navigation System				
	Black		.4	83456-SWA-A01ZB	\$56.78
	Gray		.4	83456-SWA-A01ZA	\$56.78
	Ivory		.4	83456-SWA-A01ZC	\$56.78
10	Bracket, Box			83419-SWA-J01	\$24.20
11	Knob, Console Lid			83453-SWA-A01	\$20.65
12	Cushion, Box Lid (2)			83470-SWA-A01	\$1.98
13	Mat, Console Box				
	w/Navigation System			83432-SWA-A01	\$17.42
	w/o Navigation System			83432-SWA-J01	\$19.37
14	Lid, Maintenance			83417-SWA-J01	\$4.52
15	Base, Socket				
	w/Navigation System			83416-SWA-A01	\$3.55
	w/o Navigation System			83416-SWA-U31	\$3.55
16	Jack, Auxiliary			39112-SMA-003	\$50.86
17	Socket, Lighter			39624-SZ3-L01	\$9.38
18	Cap, Socket			39620-SNA-003	\$5.97
19	Bracket, Front Console		#.3	83422-SWA-000	\$8.85
20	Bracket, Rear Console		#.2	83421-SWA-000	\$9.53

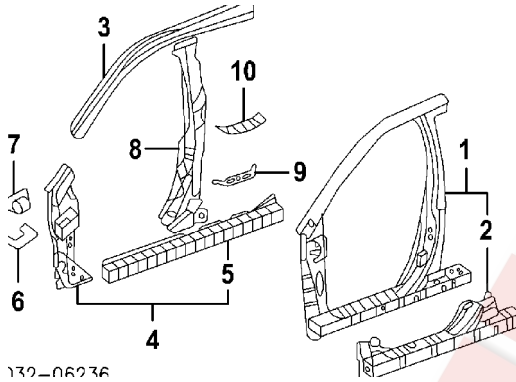
#w/Center Console Removed, Not Included in R&R Center Console

2010 Honda CR-V EX-L Utility

ROCKER/PILLARS/FLOOR

Procedures 14, 15 and 28

SHEET METAL



132-06236

Refinish Outer Side Panel	R	2.8
	L	2.8
Add for Inside	R	.8
	L	.8
Refinish Hinge Pillar	R	1.0
	L	1.0
Refinish Rocker Panel & Center Pillar	R	2.4
	L	2.4
Refinish Center Pillar	R	1.0
	L	1.0
Refinish Rocker Panel	R	2.0
	L	2.0
Refinish Roof Rail	R	1.6
	L	1.6
Refinish Floor		2.0
Add for Underside		.8
Section Hinge Pillar	R	6.5
	L	6.5
Section Rocker Panel & Center Pillar	R	#14.0
	L	#14.0
Section Center Pillar	R	#7.2
	L	#7.2

#Section Below Roof Line & at Base of Door Opening

Add to R&I/R&R Side Curtain Air Bag	R	#.8
	L	#.8

2010 Honda CR-V EX-L Utility

#w/Headliner Removed

Add to R&I/R&R Side Impact Sensor

	R	.4		
	L	.4		
1 Frame Assy, Door Opening				
Japan Built	R	17.0	04635-SYE-A00ZZ	\$472.40
	L	17.0	04645-SWA-A00ZZ	\$472.40
USA Built	R	17.0	04635-SXS-A00ZZ	\$487.30
	L	17.0	04645-SXS-A00ZZ	\$487.30
Mexico Built	08-1 R	17.0	04635-SYE-A00ZZ	\$472.40
	L	17.0	04645-SWA-A00ZZ	\$472.40
2 Panel, Rocker Outer (b)	R	#7.5	04631-SYE-A00ZZ	\$134.83
	L	#7.5	04641-SWA-A00ZZ	\$150.37

(b) Included w/Door Opening Frame Assy

#w/Quarter Panel Removed Deduct 2.0

Striker, Latch-See Front Door Section

			63120-SWA-A00ZZ	
3 Reinforcement, Hinge Pillar (HSS)	R	3.0		\$127.20
	L	3.0	63520-SWA-A00ZZ	\$147.12
			63130-SWA-305ZZ	
4 Reinforcement Assy, Lower (HSS)	R	4.5		\$370.82
	L	4.5	63530-SWA-305ZZ	\$370.82
			63220-SWA-A00ZZ	
5 Reinforcement, Rocker (HSS)¶	R	2.0		\$239.82
	L	2.0	63620-SWA-A00ZZ	\$239.82

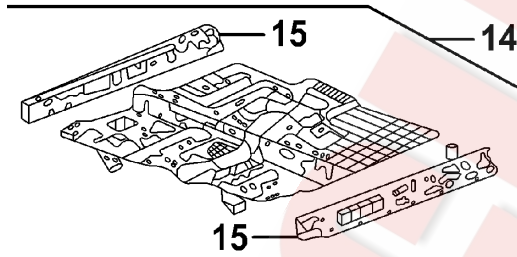
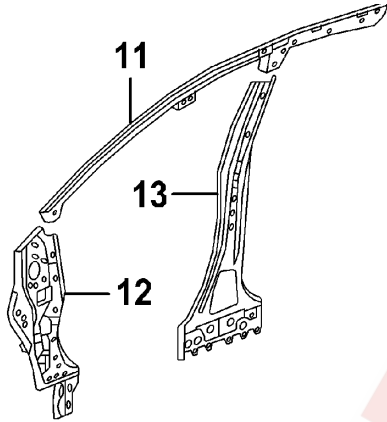
¶Included w/Lower Reinforcement Assy

6 Bracket, Outer Pillar	R	.4	63137-SWA-A01	\$5.78
	L	.4	63137-SWA-A01	\$5.78
7 Bracket, Inner Pillar	R	.3	63138-SWA-A01	\$8.23
	L	.3	63538-SWA-A01	\$8.23
8 Reinforcement, Center Pillar (HSS)				
Japan Built	R	1.5	63210-SWA-305ZZ	\$95.80
	L	1.5	63610-SWA-305ZZ	\$95.80
USA Built	R	1.5	63210-SXS-305ZZ	\$95.80
	L	1.5	63610-SXS-305ZZ	\$95.80
Mexico Built	08-1 R	1.5	63210-SXS-305ZZ	\$95.80
	L	1.5	63610-SXS-305ZZ	\$95.80
Bracket, Center Pillar				
9 Outer	R	.5	63217-SWA-A01	\$7.13

2010 Honda CR-V EX-L Utility

10 Inner

L	.5	63617-SWA-A01	\$8.23
R	.5	63224-SWA-A01	\$12.17
L	.5	63624-SWA-A01	\$14.08



07-0-06.341

11 Reinf, Roof Rail

07-0	R	2.0	64120-SWA-A00ZZ	\$67.18
	L	2.0	64520-SWA-A00ZZ	\$147.12
10	R	2.0	64120-SWA-A01ZZ	\$115.82
	L	2.0	64520-SWA-A01ZZ	\$74.38

12 Reinf, Front Inner Pillar

Japan Built

R	2.5	64130-SWA-A00ZZ	\$123.05
L	2.5	64530-SWA-A00ZZ	\$34.20

USA Built

R	2.5	64130-SXS-A00ZZ	\$72.98
L	2.5	64530-SWA-A00ZZ	\$34.20

Mexico Built

08-1	R	2.5	64130-SXS-A00ZZ	\$72.98
	L	2.5	64530-SWA-A00ZZ	\$34.20

13 Reinf, Center Support

R	2.0	64220-SWA-A00ZZ	\$48.13
L	2.0	64620-SWA-A00ZZ	\$48.13

14 Floor Assy, Front

EX, LX Model

Japan Built

07-0	#16.0	65100-SWA-A01ZZ	\$669.13
10	#16.0	65100-SWA-A01ZZ	\$669.13

USA Built

#16.0	65100-SXS-A01ZZ	\$388.55
-------	-----------------	----------

Mexico Built

08-1	#16.0	65100-SXS-A01ZZ	\$388.55
------	-------	-----------------	----------

EX-L Model

Japan Built

07-0	#16.0	65100-SWA-K00ZZ	\$645.02
------	-------	-----------------	----------

2010 Honda CR-V EX-L Utility

USA Built

10 #16.0	65100-SWA-K01ZZ	\$669.13
#16.0	65100-SXS-A21ZZ	\$388.55

#w/Dash Panel Removed Deduct 3.0

15 Panel, Inner Rocker (HSS) (a)

Japan Built

R	3.0	65140-SWA-A00ZZ	\$134.83
L	3.0	65190-SWA-A00ZZ	\$150.37

USA Built

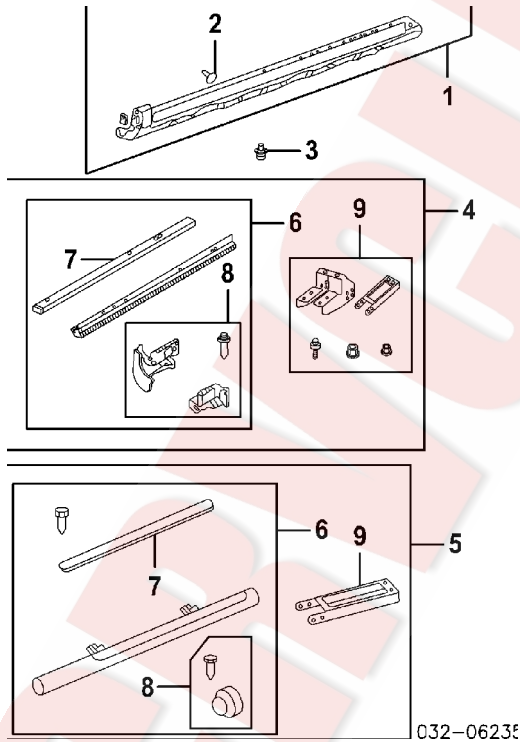
R	3.0	65140-SXS-A00ZZ	\$134.83
L	3.0	65190-SXS-A00ZZ	\$134.83

Mexico Built

08-1 R	3.0	65140-SXS-A00ZZ	\$134.83
L	3.0	65190-SXS-A00ZZ	\$134.83

(a) Included w/Front Floor Assy

EXTERIOR TRIM



Refinish Running Board

R 1.5

L 1.5

Refinish Side Step

R 1.5

L 1.5

R&I Rocker Moulding

R .5

L .5

R&I Running Board

R .5

L .5

2010 Honda CR-V EX-L Utility

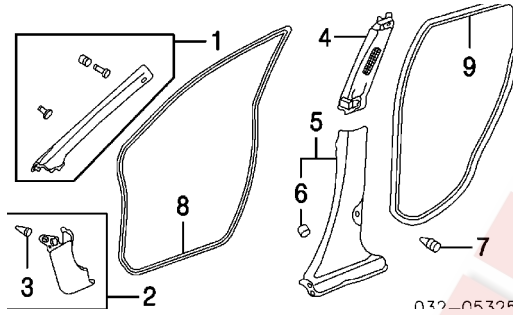
R&I Side Step	R	.5		
	L	.5		
R&R Running Board	R	.5		
	L	.5		
R&R Side Step	R	.5		
	L	.5		
1 Moulding Assy, Rocker	R	.5	71800-SWA-A01	\$97.12
	L	.5	71850-SWA-A01	\$96.68
2 Clip, Moulding (9/Side)¶	R		91504-SP1-003	\$3.05
	L		91504-SP1-003	\$3.05
¶Included w/Rocker Moulding Assy				
3 Clip, Bottom Mldg (4/Side)	R		91503-SZ3-003	\$3.03
	L		91503-SZ3-003	\$3.03
Running Board Kit Dealer Installed				
4 Std Type	#		08L33-SWA-100	\$480.40
5 Tube Type				
Black	#		08L33-SWA-100C	\$480.40
Chrome	#		08L33-SWA-100D	\$665.32
#See Headnotes for Labor Time				
6 Board Assy, Running (a)				
Std Type	R	.5	08L33-SWA-10001	\$189.95
	L	.5	08L33-SWA-10002	\$189.95
Tube Type				
Black	R	.5	08L33-SWA-100C1	\$210.05
	L	.5	08L33-SWA-100C2	\$210.05
Chrome	R	.5	08L33-SWA-100D1	\$276.38
	L	.5	08L33-SWA-100D2	\$276.38
7 Pad, Step (a) (b)				
Std Type	R	.3	08L33-SWA-10007	\$33.17
	L	.3	08L33-SWA-10007	\$33.17
Tube Type	R	.3	08L33-SWA-1C0R1	\$62.31
	L	.3	08L33-SWA-1C0R1	\$62.31
8 Cap, End (a) (b)				
Std Type	R		08L33-SWA-100R2	\$42.21
	L		08L33-SWA-100R3	\$42.21
Tube Type, (2/Side)	R		08L33-S3V-200R5	\$7.04
	L		08L33-S3V-200R5	\$7.04
(b) Included w/Running Board Assy				
9 Hardware Kit (a)				
Std Type, (2/Side)	R		08L33-SWA-100R1	\$38.19
	L		08L33-SWA-100R1	\$38.19

2010 Honda CR-V EX-L Utility

Tube Type, (2/Side)	R	08L33-SWA-100C5	\$49.25
	L	08L33-SWA-100C5	\$49.25

(a) Included w/Running Board Kit

INTERIOR TRIM



1 Moulding Assy, Pillar Garnish-See Windshield Section				
2 Panel Assy, Cowl Side Trim				
Black	R	.2	83111-SWA-A01ZB	\$6.65
	L	.2	83161-SWA-A01ZB	\$6.78
Gray	R	.2	83111-SWA-A01ZA	\$6.65
	L	.2	83161-SWA-A01ZA	\$6.78
Ivory	R	.2	83111-SWA-A01ZC	\$6.65
	L	.2	83161-SWA-A01ZC	\$6.78
3 Clip, Cowl Trim Panel (a)¶	R		91560-SYA-J01	\$0.55
	L		91560-SYA-J01	\$0.55

¶Included w/Cowl Side Trim Panel Assy

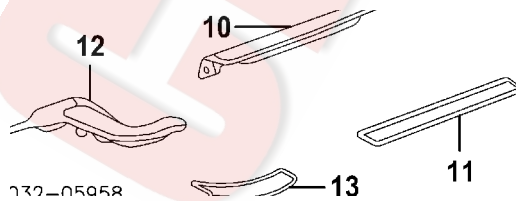
(a) As Required

4 Panel, Upper Center Pillar Trim				
Black	R	.2	84111-SWA-A01ZB	\$39.02
	L	.2	84161-SWA-A01ZB	\$39.02
Gray	R	.2	84111-SWA-A01ZA	\$39.02
	L	.2	84161-SWA-A01ZA	\$39.02
Ivory	R	.2	84111-SWA-A01ZC	\$39.02
	L	.2	84161-SWA-A01ZC	\$39.02
5 Panel Assy, Lower Center Pillar Trim				
Black	07-0 R	#.6	84121-SWA-A02ZB	\$35.38
	L	#.6	84171-SWA-A01ZB	\$35.38
	10 R	#.6	84121-SWA-A02ZB	\$35.38
	L	#.6	84171-SWA-A02ZB	\$35.38
Gray	07-0 R	#.6	84121-SWA-A01ZA	\$35.38

2010 Honda CR-V EX-L Utility

	L	#.6	84171-SWA-A02ZA	\$35.38
	10 R	#.6	84121-SWA-A02ZA	\$35.38
	L	#.6	84171-SWA-A02ZA	\$35.38
Ivory	07-0 R	#.6	84121-SWA-A02ZC	\$35.38
	L	#.6	84171-SWA-A02ZC	\$35.38
	10 R	#.6	84121-SWA-A02ZC	\$35.38
	L	#.6	84171-SWA-A02ZC	\$35.38
 #Includes R&R Front & Rear Inner Scuff Plates				
6	Clip, Center Trim (a) () (b)	R	91560-SYA-J01	\$0.55
		L	91560-SYA-J01	\$0.55
	(a) As Required			
	(b) Included w/Lower Center Pillar Trim Panel Assy			
7	Hook, Rear Seat			
	Black	R	82109-SWA-A01ZB	\$5.67
		L	82109-SWA-A01ZB	\$5.67
	Gray	R	82109-SWA-A01ZA	\$5.67
		L	82109-SWA-A01ZA	\$5.67
	Ivory	R	82109-SWA-A01ZC	\$5.67
		L	82109-SWA-A01ZC	\$5.67
8	Weatherstrip, Front Door Opening (On Body)			
	Black	R	.4 72315-SWA-A01ZA	\$39.43
		L	.4 72355-SWA-A01ZA	\$39.43
	Ivory	R	.4 72315-SWA-A01ZB	\$39.43
		L	.4 72355-SWA-A01ZB	\$39.43
9	Weatherstrip, Rear Door Opening (On Body)			
	Black	R	.4 72815-SWA-A01ZA	\$38.63
		L	.4 72855-SWA-A01ZA	\$38.63
	Ivory	R	.4 72815-SWA-A01ZB	\$38.63
		L	.4 72855-SWA-A01ZB	\$38.63

Scuff Plate



10 Front Inner
Japan Built
Black

07-0 R .2 84201-SXS-A00ZB \$11.58

2010 Honda CR-V EX-L Utility

		L	.2	84251-SXS-A00ZB	\$11.58
	10	R	.2	84201-SWA-A02ZB	\$24.53
		L	.2	84251-SWA-A02ZB	\$24.53
Gray	07-0	R	.2	84201-SXS-A00ZA	\$11.58
		L	.2	84251-SXS-A00ZA	\$11.58
	10	R	.2	84201-SWA-A02ZA	\$24.53
		L	.2	84251-SWA-A02ZA	\$24.53
Ivory	07-0	R	.2	84201-SXS-A00ZC	\$11.58
		L	.2	84251-SXS-A00ZC	\$11.58
	10	R	.2	84201-SWA-A02ZC	\$24.53
		L	.2	84251-SWA-A02ZC	\$24.53
USA Built					
Black		R	.2	84201-SXS-A00ZB	\$11.58
		L	.2	84251-SXS-A00ZB	\$11.58
Gray		R	.2	84201-SXS-A00ZA	\$11.58
		L	.2	84251-SXS-A00ZA	\$11.58
Ivory		R	.2	84201-SXS-A00ZC	\$11.58
		L	.2	84251-SXS-A00ZC	\$11.58
Mexico Built					
Black	08-1	R	.2	84201-SXS-A00ZB	\$11.58
		L	.2	84251-SXS-A00ZB	\$11.58
Gray	08-1	R	.2	84201-SXS-A00ZA	\$11.58
		L	.2	84251-SXS-A00ZA	\$11.58
Ivory	08-1	R	.2	84201-SXS-A00ZC	\$11.58
		L	.2	84251-SXS-A00ZC	\$11.58
11 Front Outer					
Black		R	.2	84202-SWA-A01ZC	\$4.25
		L	.2	84252-SWA-A01ZC	\$4.25
Gray		R	.2	84202-SWA-A01ZA	\$4.25
		L	.2	84252-SWA-A01ZA	\$4.25
Ivory		R	.2	84202-SWA-A01ZB	\$4.25
		L	.2	84252-SWA-A01ZB	\$4.25
12 Rear Inner					
Black	07-0	R	.2	84211-SWA-A01ZB	\$10.82
		L	.2	84261-SWA-A01ZB	\$12.07
	10	R	.2	84211-SWA-A02ZB	\$10.82
		L	.2	84261-SWA-A02ZB	\$12.07
Gray	07-0	R	.2	84211-SWA-A02ZA	\$10.82
		L	.2	84261-SWA-A02ZA	\$12.07
	10	R	.2	84211-SWA-A02ZA	\$10.82
		L	.2	84261-SWA-A02ZA	\$12.07
Ivory	07-0	R	.2	84211-SWA-A02ZC	\$10.82
		L	.2	84261-SWA-A02ZC	\$12.07
	10	R	.2	84211-SWA-A02ZC	\$10.82
		L	.2	84261-SWA-A02ZC	\$12.07
13 Rear Outer					

2010 Honda CR-V EX-L Utility

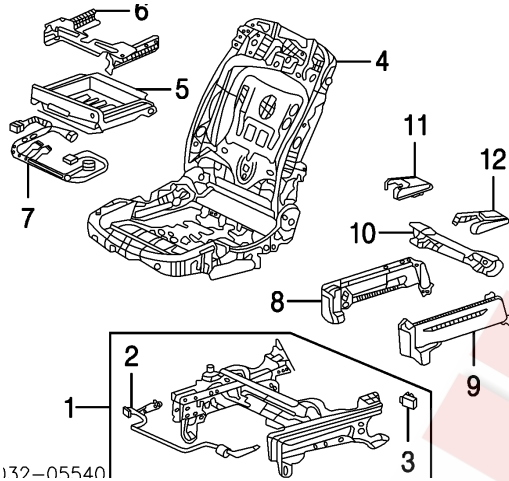
Black	R	.2	84212-SWA-A01ZB	\$4.02
	L	.2	84262-SWA-A01ZB	\$4.02
Gray	R	.2	84212-SWA-A01ZA	\$4.02
	L	.2	84262-SWA-A01ZA	\$4.02
Ivory	R	.2	84212-SWA-A01ZC	\$4.02
	L	.2	84262-SWA-A01ZC	\$4.02

CRV CLUB

2010 Honda CR-V EX-L Utility

FRONT SEAT

PASSENGER SIDE

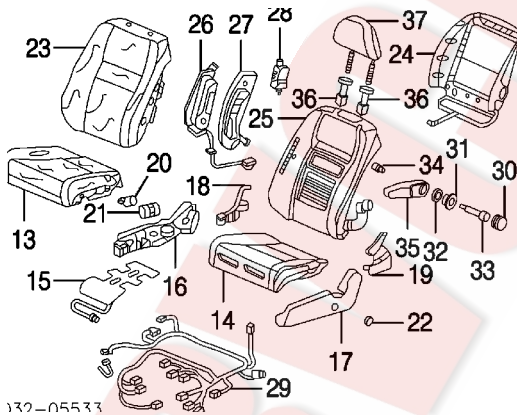


R&I Front Seat Assy

1	Adjuster Assy, Seat EX, LX Model 2007-09	#.3	81166-SWA-A01	\$415.40	
	2010	#.3	81166-SWA-A02	\$415.40	
	Japan, USA Built	#.3	81166-SYE-A02	\$484.67	
	Mexico Built	#.3	81166-SWA-A51	\$382.35	
	EX-L Model	07-0	#.3	81166-SWA-A52	\$382.35
		10	#.3		
	#w/Seat Removed				
2	Lever, Adjuster¶		81136-SNA-A11	\$26.08	
3	Cap, Adjuster (2)¶		81262-SNA-A01	\$4.77	
	¶Included w/Seat Adjuster Assy				
4	Frame, Front Seat #w/Seat Removed	#.8	81136-SWA-A01	\$571.07	
5	Box, Seat				
	Black		81197-SWA-A01ZB	\$25.10	
	Gray		81197-SWA-A01ZA	\$25.10	
	Ivory		81197-SWA-A01ZC	\$25.10	
6	Guide, Seat Box		81198-SWA-A01	\$43.62	
7	Harness, Heater Cover, Adjuster		81133-SWA-A21	\$36.05	
8	Outer				
	Black		81268-SWA-A01ZB	\$12.72	
	Gray		81268-SWA-A01ZA	\$12.72	
	Ivory		81268-SWA-A01ZC	\$12.72	
9	Inner EX, LX Model				

2010 Honda CR-V EX-L Utility

Black	81278-SWA-A01ZB	\$6.90
Gray	81278-SWA-A01ZA	\$6.92
Ivory	81278-SWA-A01ZC	\$6.90
EX-L Model		
Black	81278-SWA-A21ZB	\$9.80
Gray	81278-SWA-A21ZA	\$9.80
Ivory	81278-SWA-A21ZC	\$4.23
10 Cover, Rear Adjuster		
Black	81116-SWA-A01ZB	\$7.45
Gray	81116-SWA-A01ZA	\$7.45
Ivory	81116-SWA-A01ZC	\$7.45
Cover, Seat Track Adjuster		
11 Outer		
Black	81107-SWA-A01ZB	\$6.07
Gray	81107-SWA-A01ZA	\$6.07
Ivory	81107-SWA-A01ZC	\$6.07
12 Inner		
Black	81106-SWA-A01ZB	\$6.08
Gray	81106-SWA-A01ZA	\$6.08
Ivory	81106-SWA-A01ZC	\$6.08



13 Cover, Seat Cushion (a)		
EX Model	#.4	81131-SWA-A11ZB \$224.12
EX-L Model	#.4	81131-SWA-A21ZB \$659.38
LX Model	#.4	81131-SWA-A01ZB \$224.12

(a) Black listed, Order by Application

14 Pad, Seat Cushion		
EX, LX Model		
Japan Built	#.4	81137-SWA-A01 \$112.65
USA Built	#.4	81137-SXS-A01 \$65.12
Mexico Built	08-1 #.4	81137-SXS-A01 \$65.12
EX-L Model		
Japan Built	#.4	81137-SWA-A21 \$112.65

2010 Honda CR-V EX-L Utility

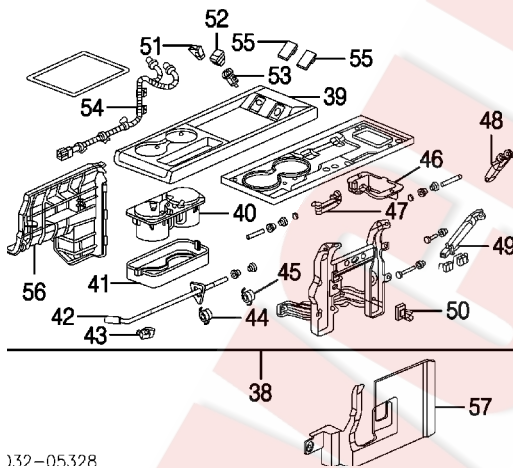
	USA Built	#.4	81137-SXS-A21	\$63.20
15	Heater, Seat Cushion #w/Seat Removed Cover, Recliner (a)	#.4	81134-SWA-A52	\$236.68
16	Front Outer	.1	81238-SNA-A01ZE	\$13.98
17	Front Inner	.1	81248-SWA-A01ZB	\$13.18
18	Rear Outer	.1	81237-SNA-A01ZE	\$12.13
19	Rear Inner	.1	81247-SNA-A01ZE	\$9.07
20	Knob, Reclining (a) Cap, Recliner Cover (a)		81231-SNA-A01ZE	\$4.98
21	Outer		81234-SNA-A01ZE	\$5.15
22	Inner		81246-SWA-A01ZB	\$2.38
23	Cover, Seat Back Cushion (a)			
	EX Model	#.4	81121-SWA-A11ZB	\$224.12
	EX-L Model	#.4	81121-SWA-A22ZB	\$659.38
	LX Model	#.4	81121-SWA-A01ZB	\$224.12
24	Cover, Rear Seat Back (a)			
	EX Model	#.4	81128-SWA-A12ZB	\$81.38
	EX-L Model	#.4	81128-SWA-A21ZB	\$94.78
	LX Model	#.4	81128-SWA-A01ZB	\$81.38
	(a) Black listed, Order by Application			
25	Pad, Seat Back			
	EX, LX Model			
	Japan Built	#.4	81527-SWA-A01	\$112.65
	USA Built	#.4	81127-SXS-A01	\$259.88
	Mexico Built	08-1 #.4	81127-SXS-A01	\$259.88
	EX-L Model			
	Japan Built	#.4	81527-SWA-A21	\$112.65
	USA Built	#.4	81127-SXS-A21	\$259.88
	#w/Seat Removed			
26	Module, Seat Air Bag-See Air Bag System Section			
27	Holder, Module-See Air Bag System Section			
28	Sensor, OPDS-See Air Bag System Section			
29	Harness, OPDS-See Air Bag System Section			
30	Cap, Armrest (a)		81384-SHJ-A01ZF	\$2.10

(a) Black listed, Order by Application

2010 Honda CR-V EX-L Utility

31 Bushing, Armrest	81383-SHJ-A01	\$4.80
32 Washer, Armrest Pin, Armrest	81189-S0X-003	\$0.47
33 Outer	81186-S0X-A01	\$2.80
34 Inner	81187-S0X-A01	\$3.60
35 Armrest (a)	.2 81180-SWA-A11ZA	\$122.97
36 Guide, Headrest (a) Locking	81144-SDA-A01YH	\$3.62
Non-Locking	81143-SDA-A01YH	\$3.87
37 Headrest (a) EX Model	.2 81140-SWA-A11ZB	\$113.42
EX-L Model	.2 81140-SWA-A21ZB	\$245.95
LX Model	.2 81140-SWA-A01ZB	\$113.42

(a) Black listed, Order by Application



132-05328

38 Table Assy, Center (a) EX Model	07-0	.3 81170-SWA-A11ZB	\$310.02
	09-1	.3 81170-SWA-A11ZH	\$261.57
LX Model	07-0	.3 81170-SWA-A01ZB	\$239.55
	09-1	.3 81170-SWA-A01ZH	\$261.57
39 Cover, Upper (a) (b)		81193-SWA-A01ZB	\$34.03

(a) Black listed, Order by Application

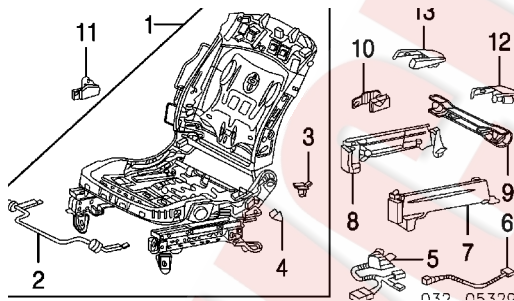
40 Holder, Cup (b)	81176-SWA-A01ZA	\$28.13
41 Cover, Lower (b)	81191-SWA-A01	\$5.67
42 Lever, Adjust (b)	81175-SWA-A01	\$11.53
43 Guide, Lever (b) Spring, Center (b)	83312-S10-A00	\$1.07
44 Front	81179-SWA-A01	\$1.98
45 Rear	81199-SWA-A01	\$1.98
46 Cover, Rear (b)	81195-SWA-A01	\$5.67

2010 Honda CR-V EX-L Utility

47	Cover, Hinge (b) Bracket, Center Table (b)		81192-SWA-A01	\$4.03
48	Upper		81178-SWA-A01	\$7.28
49	Lower		81177-SWA-A01	\$7.28
50	Holder, Table (b)		81189-SWA-A01	\$2.72
51	Jack, Auxiliary (b)		39112-SMA-003	\$50.86
52	Cap, Socket (b)		39620-SNA-003	\$5.97
53	Socket, Lighter (b)		39624-SZ3-L01	\$9.38
54	Harness, Accessory (b)		81178-SWA-A11	\$41.40
55	Cap, Panel Trim (a) (b)	R	81196-SWA-X11ZB	\$3.57
		L	81196-SWA-A01ZB	\$3.57
56	Cover, Inner (a) (b)		81194-SWA-A01ZB	\$14.53
	(b) Included w/Center Table Assy			
57	Cover, Outer (a)		81173-SWA-A01ZB	\$8.72

(a) Black listed, Order by Application

DRIVER SIDE



R&I Front Seat Assy

1	Frame Assy, Seat #w/Seat Removed	#.8	81526-SWA-A11	\$662.32
2	Lever, Adjuster¶		81136-SNA-A11	\$26.08
3	Sensor, Seat Position¶		81550-SNA-A01	\$27.50
4	Cap, Adjuster (2)¶		81262-SNA-A01	\$4.77
	¶Included w/Seat Frame Assy			
5	Harness, Sensor		81152-SNA-A11	\$15.92
6	Harness, Heater	07	81533-SNR-C01	\$27.10
		08-10	N.A.	
	Cover, Adjuster (a)			
7	Outer		81668-SWA-A01ZB	\$7.63
8	Inner		81678-SWA-A01ZB	\$11.30

(a) Black listed, Order by Application

9	Cover, Rear Black		81116-SWA-A01ZB	\$7.45
---	----------------------	--	-----------------	--------

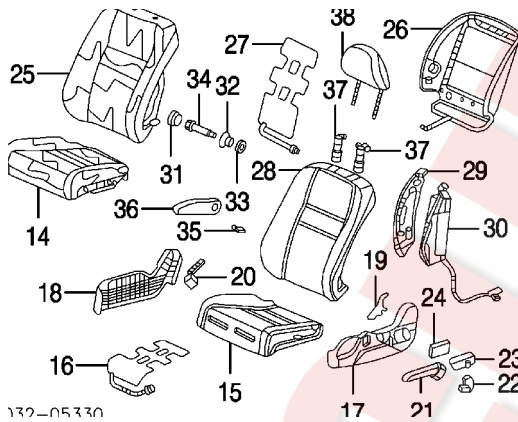
2010 Honda CR-V EX-L Utility

Gray	81116-SWA-A01ZA	\$7.45
Ivory	81116-SWA-A01ZC	\$7.45

Cover, Seat Track Adjuster (a)

10	Outer Front	81669-SNA-A11ZF	\$3.95
11	Inner Front	81679-SNA-A11ZG	\$3.95
12	Outer Rear	81507-SWA-A01ZB	\$7.45
13	Inner Rear	81506-SWA-A01ZB	\$6.67

(a) Black listed, Order by Application



14 Cover, Seat Cushion (a)

EX Model		
Japan Built	#.4	81531-SWA-A11ZB \$224.12
USA Built	#.4	81531-SXS-A11ZB \$93.45
Mexico Built	08-1 #.4	81531-SXS-A11ZB \$93.45
EX-L Model		
Japan Built	07 #.4	81531-SWA-A21ZB \$659.38
	08-1 #.4	81531-SWA-A51ZB \$800.17
USA Built	07 #.4	81531-SXS-A21ZB \$173.85
	08-1 #.4	81531-SXS-A51ZB \$319.15
LX Model		
Japan Built	#.4	81531-SWA-A01ZB \$224.12
USA Built	#.4	81531-SXS-A02ZB \$119.93
Mexico Built	08-1 #.4	81531-SXS-A02ZB \$119.93

(a) Black listed, Order by Application

15 Pad, Seat Cushion

EX, LX Model		
Japan Built	#.4	81537-SWA-A01 \$112.65
USA Built	#.4	81537-SXS-A01 \$63.20
Mexico Built	08-1 #.4	81537-SXS-A01 \$63.20
EX-L Model		
Japan Built	07 #.4	81537-SWA-A21 \$112.65

2010 Honda CR-V EX-L Utility

	USA Built	08-0 #.4	81537-SWA-951	\$112.65
		07 #.4	81537-SXS-A21	\$63.20
		08-0 #.4	81537-SXS-A51	\$63.20
16	Heater, Seat Cushion			
	Japan Built	07 #.4	81534-SWA-A22	\$53.74
		08-1 #.4	81134-SWA-952	\$208.37
	USA Built	07 #.4	81534-SWA-A51	\$53.74
		08-1 #.4	81134-SWA-952	\$208.37
	Mexico Built	08-1 #.4	81134-SWA-952	\$208.37
	#w/Seat Removed Cover, Recliner (a)			
17	Front Outer		81638-SWA-A01ZB	\$17.75
18	Front Inner		81648-SWA-A01ZB	\$11.82
19	Rear Outer		81637-SNA-A11ZE	\$8.55
20	Rear Inner		81647-SNA-A11ZE	\$8.83
21	Handle, Adjuster (a)		81621-SNA-A02ZE	\$14.00
22	Cap, Handle (a)		81622-SNA-A01ZE	\$11.93
23	Knob, Recliner (a)		81631-SNA-A01ZE	\$4.98
24	Cover, Knob (a)		81634-SNA-A01ZE	\$5.15
25	Cover, Seat Back Cushion (a)			
	Japan Built			
	EX Model	#.4	81521-SWA-A11ZB	\$224.12
	EX-L Model	07 #.4	81521-SWA-A21ZB	\$659.38
		08-1 #.4	81521-SWA-A51ZB	\$800.17
	LX Model	#.4	81521-SWA-A01ZB	\$224.12
	USA Built			
	EX Model	#.4	81521-SXS-A02ZB	\$94.47
	EX-L Model	07 #.4	81521-SXS-A21ZB	\$187.93
		08-0 #.4	81521-SXS-A51ZB	\$535.78
		10 #.4	81521-SXS-A52ZB	\$202.60
	LX Model	#.4	81521-SXS-A02ZB	\$94.47
	Mexico Built			
	EX, LX Model	08-0 #.4	81521-SXS-A02ZB	\$94.47
		10 #.4	81521-SXS-A02ZB	\$94.47
26	Cover, Rear Seat Back (a)			
	Japan Built			
	EX Model	#.4	81528-SWA-A12ZB	\$81.38
	EX-L Model	07 #.4	81528-SWA-A21ZB	\$103.55
		08-1 #.4	81528-SWA-951ZB	\$78.93
	LX Model	#.4	81528-SWA-A02ZB	\$80.70
	USA Built			
	EX Model	#.4	81528-SXS-A11ZB	\$68.08
	EX-L Model	07 #.4	81528-SXS-A21ZB	\$46.55
		08-1 #.4	81528-SXS-A52ZB	\$94.55
	LX Model	#.4	81528-SXS-A01ZB	\$94.55

2010 Honda CR-V EX-L Utility

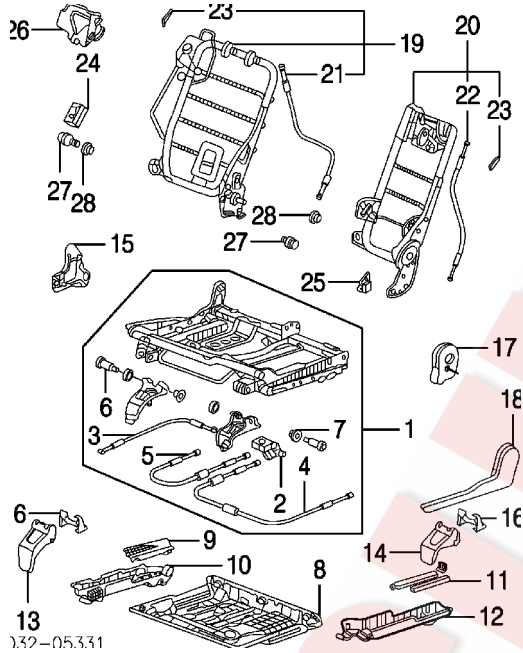
Mexico Built			
EX Model	08-1 #.4	81528-SXS-A11ZB	\$68.08
LX Model	08-1 #.4	81528-SXS-A01ZB	\$94.55
(a) Black listed, Order by Application			
27 Heater, Seat Back	07 #.4	81524-SNB-E01	\$192.62
	08-0 #.4	81524-SWA-961	\$187.87
28 Pad, Seat Back			
EX, LX Model			
Japan Built	#.4	81527-SWA-A01	\$112.65
USA Built	#.4	81527-SXS-A01	\$63.03
Mexico Built	08-1 #.4	81527-SXS-A01	\$63.03
EX-L Model			
Japan Built	07 #.4	81527-SWA-A21	\$112.65
	08-0 #.4	81527-SWA-A51	\$112.65
USA Built	07 #.4	81527-SXS-A21	\$63.03
	08-0 #.4	81527-SXS-A51	\$63.03
#w/Seat Removed			
29 Module, Seat Air Bag-See Air Bag System Section			
30 Holder, Module-See Air Bag System Section			
31 Cap, Armrest (a)		81384-SHJ-A01ZF	\$2.10
(a) Black listed, Order by Application			
32 Bushing, Armrest		81383-SHJ-A01	\$4.80
33 Washer, Armrest		81189-S0X-003	\$0.47
Pin, Armrest			
34 Outer		81186-S0X-A01	\$2.80
35 Inner		81187-S0X-A01	\$3.60
36 Armrest (a)			
LX Model			
Japan Built	.2	81580-SWA-A01ZB	\$122.97
USA Built	.2	81580-SXS-A01ZB	\$49.20
Mexico Built	08-1	.2 81580-SXS-A01ZB	\$49.20
EX Model			
Japan Built	.2	81580-SWA-A11ZB	\$122.97
USA Built	.2	81580-SXS-A11ZB	\$47.00
Mexico Built	08-1	.2 81580-SXS-A11ZB	\$47.00
EX-L Model			
Japan Built	.2	81580-SWA-A21ZB	\$245.95
USA Built	.2	81580-SXS-A21ZB	\$109.10
37 Guide, Headrest (a)			
Locking		81144-SDA-A01YH	\$3.62

2010 Honda CR-V EX-L Utility

Non-Locking		81143-SDA-A01YH	\$3.87
38 Headrest (a)			
EX Model			
Japan Built		.2 81140-SWA-A11ZB	\$113.42
USA Built		.2 81140-SXS-A11ZB	\$75.08
Mexico Built	08-1	.2 81140-SXS-A11ZB	\$75.08
EX-L Model			
Japan Built		.2 81140-SWA-A21ZB	\$245.95
USA Built		.2 81140-SXS-A21ZB	\$116.33
LX Model			
Japan Built		.2 81140-SWA-A01ZB	\$113.42
USA Built		.2 81140-SXS-A01ZB	\$75.53
Mexico Built	08-1	.2 81140-SXS-A01ZB	\$75.53

(a) Black listed, Order by Application

REAR SEAT
RIGHT SIDE



R&I Rear Seat Assy

Part Number	Description	Quantity	Part Number	Price
1	Frame/Track Assy, Seat Cushion	R #.5	82136-SWA-A01	\$471.90
	#w/Seat Removed			
2	Lock, Frame¶	R	82222-SWA-A01	\$23.70
3	Cable, Seat Cushion (2)¶	R	82139-SWA-A01	\$8.87
	Cable, Lock¶			
4	No. 1	R	82226-SWA-A01	\$16.13
5	No. 2	R	82229-SWA-A01	\$9.70
6	Pin, Hinge (2)¶	R	82533-SWA-A01	\$3.20
7	Bushing, Hinge (3)¶	R	82538-SWA-A01	\$2.65
	¶Included w/Seat Cushion Frame/Track Assy			
8	Cover, Lower Seat (a)	R	82192-SWA-A01ZB	\$28.15
	Cover, Rail (a)			
9	Outer Upper	R	82291-SWA-A01ZB	\$10.15
10	Outer Lower	R	82292-SWA-A01ZB	\$9.52
11	Inner Upper	R	82293-SWA-A01ZB	\$10.15
12	Inner Lower	R	82294-SWA-A01ZB	\$8.63
	Cover, Seat Adjuster (a)			
13	Front Outer	R	82195-SWA-A01ZB	\$10.08
14	Front Inner	R	82197-SWA-A01ZB	\$5.60
15	Rear Outer	R	82238-SWA-A01ZB	\$4.65

2010 Honda CR-V EX-L Utility

16 Cap, Guide (2) (a)				
Japan Built	R		82196-SWA-A01ZB	\$3.43
USA Built	R		82196-SXS-A01ZB	\$5.25
17 Cover, Center (a)	R		82194-SWA-A01ZB	\$9.23
18 Cover, Frame (a)	R		82115-SWA-A01ZB	\$11.30

(a) Black listed, Order by Application

Frame Assy, Seat Back

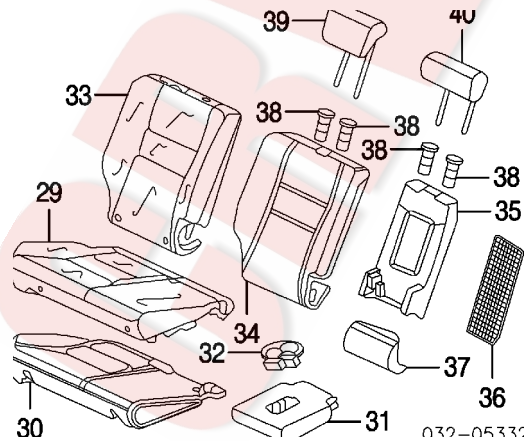
19 Outer	R	#.8	82126-SWA-A01	\$186.63
20 Center	R	#.8	82926-SWA-A01	\$123.42
#w/Seat Assy Removed				
Cable, Lock (b)				
21 Outer	R		82235-SWA-A01	\$16.13
22 Center	R		82234-SWA-A01	\$12.95
23 Spring, Lever (b)				
Outer	R		82928-SWA-A01	\$2.48
Center	R		82928-SWA-A01	\$2.48

(b) Included w/Seat Back Frame Assy

24 Cover, Anchor (a)				
Japan Built	R		82124-SWA-A01ZB	\$4.52
USA Built	R		82123-STK-A01ZD	\$21.50
Mexico Built	08-1 R		82123-STK-A01ZD	\$21.50
25 Cover, Seat Inner (a)	R		82237-SWA-A01ZB	\$5.30

(a) Black listed, Order by Application

26 Cover, Lever	R		82221-SWA-A01	\$4.03
27 Bolt, Seat Back	R		82129-SWA-A01	\$2.82
28 Bushing, Bolt	R		82128-SWA-A01	\$1.82



29 Cover, Seat Cushion (a)				
EX Model				
Japan Built	R	#.4	82131-SWA-A11ZB	\$267.12

2010 Honda CR-V EX-L Utility

USA Built	R	#.4	82131-SXS-A11ZB	\$120.47
Mexico Built	08-1 R	#.4	82131-SXS-A11ZB	\$120.47
EX-L Model				
Japan Built	R	#.4	82131-SWA-A21ZB	\$774.62
USA Built	R	#.4	82131-SXS-A21ZB	\$380.55
LX Model				
Japan Built	R	#.4	82131-SWA-A01ZB	\$267.12
USA Built	R	#.4	82131-SXS-A01ZB	\$114.75
Mexico Built	08-1 R	#.4	82131-SXS-A01ZB	\$114.75

(a) Black listed, Order by Application

30 Pad, Cushion

Japan Built	R	#.4	82137-SWA-A01	\$124.60
USA Built	R	#.4	82137-SXS-A01	\$76.87
Mexico Built	08-1 R	#.4	82137-SXS-A01	\$76.87

#w/Seat Removed

31 Armrest (a)

EX Model				
Japan Built	R	.2	82180-SWA-A11ZB	\$122.97
USA Built	R	.2	82180-SXS-A11ZB	\$84.27
Mexico Built	08-1 R	.2	82180-SXS-A11ZB	\$84.27
EX-L Model				
Japan Built	R	.2	82180-SWA-A21ZB	\$245.95
USA Built	R	.2	82180-SXS-A21ZB	\$132.28
LX Model				
Japan Built	R	.2	82180-SWA-A01ZB	\$122.97
USA Built	R	.2	82180-SXS-A01ZB	\$83.32
Mexico Built	08-1 R	.2	82180-SXS-A01ZB	\$83.32

32 Holder, Cup (a)

R	82184-SWA-A11ZB	\$11.37
---	-----------------	---------

33 Cover, Seat Back Cushion (a)

EX Model				
Japan Built	R	#.4	82121-SWA-A11ZB	\$270.55
USA Built	R	#.4	82121-SXS-A11ZB	\$114.43
Mexico Built	08-1 R	#.4	82121-SXS-A11ZB	\$114.43
EX-L Model				
Japan Built	R	#.4	82121-SWA-A21ZB	\$786.13
USA Built	R	#.4	82121-SXS-A21ZB	\$179.73
LX Model				
Japan Built	R	#.4	82121-SWA-A01ZB	\$270.55
USA Built	R	#.4	82121-SXS-A01ZB	\$109.03
Mexico Built	08-1 R	#.4	82121-SXS-A01ZB	\$109.03

(a) Black listed, Order by Application

34 Pad, Seat Back

2010 Honda CR-V EX-L Utility

Japan Built	R	#.4	82127-SWA-A01	\$124.60
USA Built	R	#.4	82127-SXS-A01	\$61.23
Mexico Built	08-1 R	#.4	82127-SXS-A01	\$61.23
#w/Seat Removed				
35 Garnish, Center (a)	R		82988-SWA-A01ZB	\$24.28
36 Cover, Rear (a)	R		82921-SWA-A01ZB	\$45.38

(a) Black listed, Order by Application

37 Pad, Lower Seat				
Japan Built	R	#.4	82172-SWA-A01	\$32.27
USA Built	R	#.4	82172-SXS-A01	\$32.23
Mexico Built	08-1 R	#.4	82172-SXS-A01	\$32.23
#w/Seat Removed				
38 Guide, Headrest (2) (a)				
Locking	R		81144-SDA-A01YH	\$3.62
Non-Locking	R		81143-SDA-A01YH	\$3.87

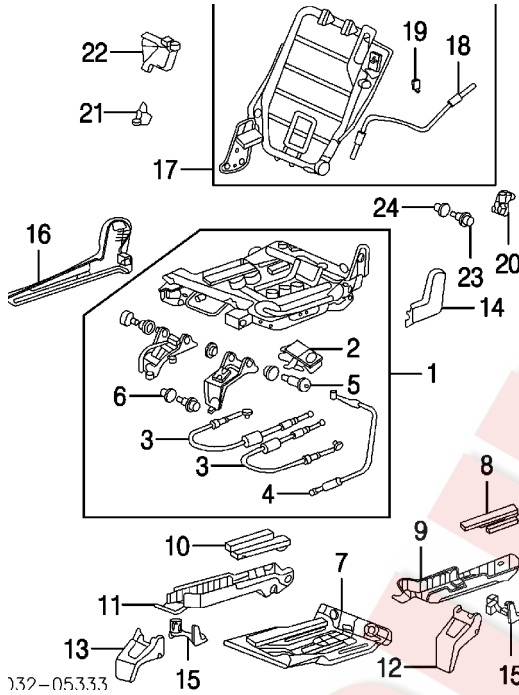
39 Outer				
EX Model				
Japan Built	R	.2	82140-SWA-A11ZB	\$127.38
USA Built	R	.2	82140-SXS-A12ZB	\$78.23
Mexico Built	08-1 R	.2	82140-SXS-A12ZB	\$78.23
EX-L Model				
Japan Built	R	.2	82140-SWA-A21ZB	\$262.07
USA Built	R	.2	82140-SXS-A22ZB	\$229.77
LX Model				
Japan Built	R	.2	82140-SWA-A01ZB	\$127.38
USA Built	R	.2	82140-SXS-A02ZB	\$78.23
Mexico Built	08-1 R	.2	82140-SXS-A02ZB	\$78.23

40 Center				
EX Model				
Japan Built	R	.2	82940-SWA-A11ZB	\$127.38
USA Built	R	.2	82940-SXS-A12ZB	\$78.23
Mexico Built	08-1 R	.2	82940-SXS-A12ZB	\$78.23
EX-L Model				
Japan Built	R	.2	82940-SWA-A21ZB	\$262.07
USA Built	R	.2	82940-SXS-A22ZB	\$86.70
LX Model				
Japan Built	R	.2	82940-SWA-A01ZB	\$127.38
USA Built	R	.2	82940-SXS-A02ZB	\$78.52
Mexico Built	08-1 R	.2	82940-SXS-A02ZB	\$78.52

(a) Black listed, Order by Application

LEFT SIDE

2010 Honda CR-V EX-L Utility

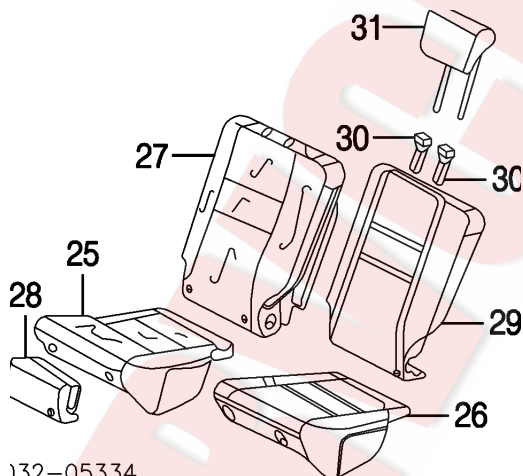


R&I Rear Seat Assy

1	Frame/Track Assy, Seat Cushion	L	#.5	82536-SWA-A01	\$348.93
	#w/Seat Removed				
2	Lock, Frame	L		82622-SWA-A01	\$23.70
3	Cable, Lock (2)	L		82229-SWA-A01	\$9.70
4	Cable, Seat Cushion	L		82139-SWA-A01	\$8.87
5	Pin, Hinge (2)	L		82533-SWA-A01	\$3.20
6	Bushing, Hinge (3)	L		82539-SWA-A01	\$1.42
	¶Included w/Seat Cushion Frame/Track Assy				
7	Cover, Lower Seat (a) Cover, Rail (a)	L		82592-SWA-A01ZB	\$14.72
8	Outer Upper	L		82691-SWA-A01ZB	\$6.33
9	Outer Lower	L		82692-SWA-A01ZB	\$9.52
10	Inner Upper	L		82693-SWA-A01ZB	\$9.90
11	Inner Lower Cover, Seat Adjuster (a)	L		82694-SWA-A01ZB	\$8.63
12	Front Outer	L		82595-SWA-A01ZB	\$10.08
13	Front Inner	L		82197-SWA-A01ZB	\$5.60
14	Rear Outer	L		82638-SWA-A01ZB	\$5.88
15	Cap, Guide (a) Outer	L		82196-SWA-A01ZB	\$3.43
	Inner	L		82598-SWA-A01ZB	\$6.25

2010 Honda CR-V EX-L Utility

16 Cover, Frame (a)	L	.2	82515-SWA-A01ZB	\$11.20
(a) Black listed, Order by Application				
17 Frame Assy, Seat Back #w/Seat Removed	L	#.8	82526-SWA-A01	\$141.80
18 Cable, Lock (b)	L		82235-SWA-A01	\$16.13
19 Spring, Lever (b)	L		82928-SWA-A01	\$2.48
(b) Included w/Seat Back Frame Assy				
20 Cover, Anchor (a)				
Japan Built	L		82124-SWA-A01ZB	\$4.52
USA Built	L		82123-STK-A01ZD	\$21.50
Mexico Built	L		82123-STK-A01ZD	\$21.50
21 Cover, Seat Inner (a)	L		82237-SWA-A01ZB	\$5.30
(a) Black listed, Order by Application				
22 Cover, Lever	L		82621-SWA-A01	\$4.43
23 Bolt, Seat Back	L		82129-SWA-A01	\$2.82
24 Bushing, Bolt	L		82128-SWA-A01	\$1.82



132-05334

25 Cover, Seat Cushion (a)				
EX Model				
Japan Built	L	#.4	82531-SWA-A11ZB	\$178.07
USA Built	L	#.4	82531-SXS-A11ZB	\$82.30
Mexico Built	L	#.4	82531-SXS-A11ZB	\$82.30
EX-L Model				
Japan Built	L	#.4	82531-SWA-A21ZB	\$516.42
USA Built	L	#.4	82531-SXS-A21ZB	\$327.47
LX Model				
Japan Built	L	#.4	82531-SWA-A01ZB	\$178.07
USA Built	L	#.4	82531-SXS-A01ZB	\$74.07

2010 Honda CR-V EX-L Utility

Mexico Built	L	#.4	82531-SXS-A01ZB	\$74.07
(a) Black listed, Order by Application				
26 Pad, Cushion				
Japan Built	L	#.4	82537-SWA-A01	\$102.05
USA Built	L	#.4	82537-SXS-A01	\$80.53
Mexico Built	L	#.4	82537-SXS-A01	\$80.53
27 Cover, Seat Back Cushion (a)				
EX Model				
Japan Built	L	#.4	82521-SWA-A11ZB	\$177.67
USA Built	L	#.4	82521-SXS-A11ZB	\$98.68
Mexico Built	L	#.4	82521-SXS-A11ZB	\$98.68
EX-L Model				
Japan Built	L	#.4	82521-SWA-A21ZB	\$519.25
USA Built	L	#.4	82521-SXS-A21ZB	\$179.73
LX Model				
Japan Built	L	#.4	82521-SWA-A01ZB	\$177.67
USA Built	L	#.4	82521-SXS-A02ZB	\$94.00
Mexico Built	L	#.4	82521-SXS-A02ZB	\$94.00
28 Cover, Lower (a)				
EX Model				
Japan Built	L		82171-SWA-A11ZB	\$44.37
USA Built	L		82171-SXS-A11ZB	\$72.95
Mexico Built	L	#.4	82171-SXS-A11ZB	\$72.95
EX-L Model				
Japan Built	L		82171-SWA-A21ZB	\$109.28
USA Built	L		82171-SXS-A21ZB	\$72.95
LX Model				
Japan Built	L		82171-SWA-A01ZB	\$44.37
USA Built	L		82171-SXS-A01ZB	\$84.35
Mexico Built	L	#.4	82171-SXS-A01ZB	\$84.35
(a) Black listed, Order by Application				
29 Pad, Seat Back				
Japan Built	L	#.4	82527-SWA-A01	\$102.05
USA Built	L	#.4	82527-SXS-A01	\$71.58
Mexico Built	L	#.4	82527-SXS-A01	\$71.58
#w/Seat Removed				
30 Guide, Headrest (2) (a)				
Locking	L		81144-SDA-A01YH	\$3.62
Non-Locking	L		81143-SDA-A01YH	\$3.87
31 Headrest (a)				
EX Model				
Japan Built	L	.2	82140-SWA-A11ZB	\$127.38

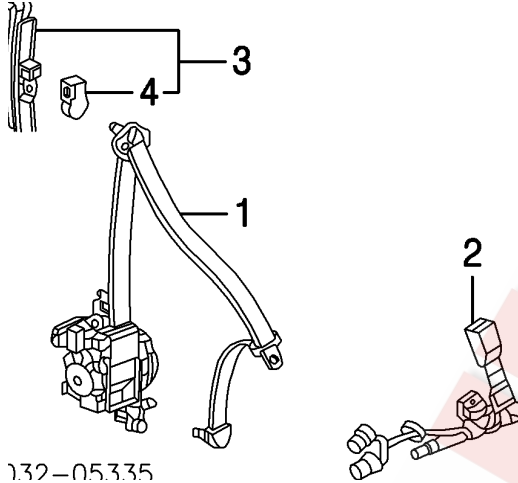
2010 Honda CR-V EX-L Utility

USA Built	L	.2	82140-SXS-A12ZB	\$78.23
Mexico Built	L	.2	82140-SXS-A12ZB	\$78.23
EX-L Model				
Japan Built	L	.2	82140-SWA-A21ZB	\$262.07
USA Built	L	.2	82140-SXS-A22ZB	\$229.77
LX Model				
Japan Built	L	.2	82140-SWA-A01ZB	\$127.38
USA Built	L	.2	82140-SXS-A02ZB	\$78.23
Mexico Built	L	.2	82140-SXS-A02ZB	\$78.23

(a) Black listed, Order by Application

SEAT BELTS

FRONT



1.372-05.335

1 Belt, Front Seat

Right

Black

EX, LX Model

Japan Built

07-0 R	#1.2	04814-SWA-A01ZA	\$308.83
--------	------	-----------------	----------

10 R	#1.2	04814-SWB-A00ZA	\$308.00
------	------	-----------------	----------

USA Built

07-0 R	#1.2	04814-SXS-A01ZA	\$213.98
--------	------	-----------------	----------

10 R	#1.2	04814-SXT-A00ZA	\$168.83
------	------	-----------------	----------

Mexico Built

08-0 R	#1.2	04814-SXS-A01ZA	\$213.98
--------	------	-----------------	----------

10 R	#1.2	04814-SXT-A00ZA	\$168.83
------	------	-----------------	----------

Gray

EX-L Model

Japan Built

07-0 R	#1.2	04814-SWA-A01ZB	\$308.83
--------	------	-----------------	----------

10 R	#1.2	04814-SWB-A00ZB	
------	------	-----------------	--

USA Built

07-0 R	#1.2	04814-SXS-A01ZB	\$235.37
--------	------	-----------------	----------

10 R	#1.2	04814-SXT-A00ZB	\$168.83
------	------	-----------------	----------

Ivory

Japan Built

07-0 R	#1.2	04814-SWA-A01ZC	\$308.83
--------	------	-----------------	----------

10 R	#1.2	04814-SWB-A00ZC	\$308.00
------	------	-----------------	----------

USA Built

07-0 R	#1.2	04814-SXS-A01ZC	\$213.98
--------	------	-----------------	----------

10 R	#1.2	04814-SXT-A00ZC	\$168.83
------	------	-----------------	----------

Mexico Built

08-0 R	#1.2	04814-SXS-A01ZC	\$213.98
--------	------	-----------------	----------

10 R	#1.2	04814-SXT-A00ZC	\$168.83
------	------	-----------------	----------

Left (h)

Black

EX, LX Model

Japan Built

L	#1.2	04818-SWA-A01ZA	\$308.83
---	------	-----------------	----------

L	#1.2	04818-SWB-A00ZA	\$308.00
---	------	-----------------	----------

USA Built

L	#1.2	04818-SXS-A01ZA	\$212.37
---	------	-----------------	----------

2010 Honda CR-V EX-L Utility

	L	#1.2	04818-SXT-A00ZA	\$168.83
Mexico Built	L	#1.2	04818-SXS-A01ZA	\$212.37
	L	#1.2	04818-SXT-A00ZA	\$168.83
Gray				
EX-L Model				
Japan Built	L	#1.2	04818-SWA-A20ZB	\$308.83
	L	#1.2	04818-SWB-A00ZB	\$308.00
USA Built	L	#1.2	04818-SXS-A20ZB	\$194.08
	L	#1.2	04818-SXT-A00ZB	\$168.83
Ivory				
Japan Built	L	#1.2	04818-SWA-A01ZC	\$308.83
	L	#1.2	04818-SWB-A00ZC	\$308.00
USA Built	L	#1.2	04818-SXS-A01ZC	\$193.07
	L	#1.2	04818-SXT-A00ZC	\$168.83
Mexico Built	L	#1.2	04818-SXS-A01ZC	\$193.07
	L	#1.2	04818-SXT-A00ZC	\$168.83

(h) Included w/Front Impact Kit-listed in Front Impact Kit Section

#Includes R&R Lower Center Pillar Trim Panel

Pretensioner, Seat Belt-Serviced w/Front Seat Belt

2 Buckle, Seat Belt

EX, LX Model

Black	R	#.3	04813-SWA-A00ZA	\$125.58
	L	#.3	04816-SWA-A00ZA	\$138.10
Gray	R	#.3	04813-SWA-A00ZB	\$125.58
	L	#.3	04816-SWA-A00ZB	\$125.58
Ivory	R	#.3	04813-SWA-A00ZC	\$125.58
	L	#.3	04816-SWA-A00ZC	\$125.58

EX-L Model

Black	R	#.3	04813-SWA-A00ZA	\$125.58
	L	#.3	04816-SWA-A20ZA	\$152.40
Gray	R	#.3	04813-SWA-A00ZB	\$125.58
	L	#.3	04816-SWA-A20ZB	\$152.40
Ivory	R	#.3	04813-SWA-A00ZC	\$125.58
	L	#.3	04816-SWA-A20ZC	\$152.40

#w/Seat Removed

3 Adjuster Assy, Shoulder Slide

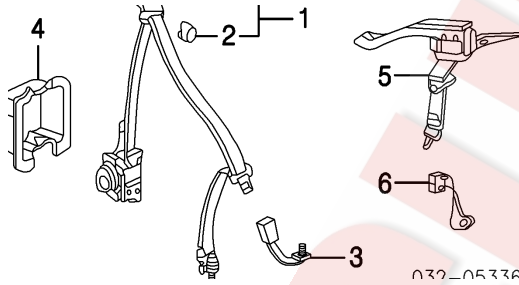
Gray	R		81460-SEA-J01ZJ	\$43.98
	L		81460-SEA-J01ZJ	\$43.98
Ivory	R		81460-SEA-J01ZK	\$38.50

2010 Honda CR-V EX-L Utility

	Quartz	L	81460-SEA-J01ZK	\$38.50
		R	81460-SEA-J01ZH	\$38.04
		L	81460-SEA-J01ZH	\$38.04
4	Cover, Adjuster¶			
	Gray	R	81461-SEA-J01ZK	\$3.75
		L	81461-SEA-J01ZK	\$3.75
	Ivory	R	81461-SEA-J01ZL	\$3.75
		L	81461-SEA-J01ZL	\$3.75
	Quartz	R	81461-SEA-J01ZJ	\$3.75
		L	81461-SEA-J01ZJ	\$3.75

¶Included w/Shoulder Slide Adjuster Assy

REAR



1	Belt Assy, Seat				
	Japan Built				
	Black	R	#1.2	04824-SWA-A01ZA	\$98.00
		L	#1.2	04828-SWA-A01ZA	\$164.75
	Gray	07-0 R	#1.2	04824-SWA-A00ZB	\$98.00
		L	#1.2	04828-SWA-A01ZB	\$164.75
		10 R	#1.2	04824-SXS-A01ZB	\$98.00
		L	#1.2	04828-SWA-A01ZB	\$164.75
	Ivory	07-0 R	#1.2	04824-SWA-A00ZC	\$164.75
		L	#1.2	04828-SWA-A00ZC	\$164.75
		10 R	#1.2	04824-SWA-A01ZC	\$164.75
		L	#1.2	04828-SWA-A01ZC	\$164.75
	USA Built				
	Black	R	#1.2	04824-SXS-A01ZA	\$98.00
		L	#1.2	04828-SXS-A01ZA	\$98.00
	Gray	R	#1.2	04824-SXS-A01ZB	\$98.00
		L	#1.2	04828-SXS-A01ZB	\$98.00
	Ivory	R	#1.2	04824-SXS-A01ZC	\$98.00
		L	#1.2	04828-SXS-A01ZC	\$98.00
	Mexico Built				
	Black	08-1 R	#1.2	04824-SXS-A01ZA	\$98.00
		L	#1.2	04828-SXS-A01ZA	\$98.00
	Gray	08-1 R	#1.2	04824-SXS-A01ZB	\$98.00

2010 Honda CR-V EX-L Utility

	L	#1.2	04828-SXS-A01ZB	\$98.00
Ivory	08-1 R	#1.2	04824-SXS-A01ZC	\$98.00
	L	#1.2	04828-SXS-A01ZC	\$98.00
#Includes R&R Lower Trim				
2 Cap, Belt Anchor¶				
Gray	R		81493-S2H-003ZL	\$6.67
	L		81493-S2H-003ZL	\$6.67
Ivory	R		81493-S2H-003ZM	\$9.37
	L		81493-S2H-003ZM	\$9.37
Quartz	R		81493-S2H-003ZC	\$9.37
	L		81493-S2H-003ZC	\$9.37
¶Included w/Seat Belt Assy				
3 Buckle, Seat Belt				
Japan Built				
Black	R	#.5	04823-SWA-A00ZA	\$31.07
	L	.2	04826-SWA-A00ZA	\$31.07
Gray	R	#.5	04823-SWA-A00ZB	\$31.07
	L	.2	04826-SWA-A00ZB	\$31.07
Ivory	R	#.5	04823-SWA-A00ZC	\$31.07
	L	.2	04826-SWA-A00ZC	\$31.07
USA Built				
Black	R	#.5	04823-SXS-A00ZA	\$38.87
	L	.2	04826-SXS-A00ZA	\$40.48
Gray	R	#.5	04823-SXS-A00ZB	\$38.87
	L	.2	04826-SXS-A00ZB	\$40.48
Ivory	R	#.5	04823-SXS-A00ZC	\$38.87
	L	.2	04826-SXS-A00ZC	\$40.48
Mexico Built				
Black	08-1 R	#.5	04823-SXS-A00ZA	\$38.87
	L	.2	04826-SXS-A00ZA	\$40.48
Gray	08-1 R	#.5	04823-SXS-A00ZB	\$38.87
	L	.2	04826-SXS-A00ZB	\$40.48
Ivory	08-1 R	#.5	04823-SXS-A00ZC	\$38.87
	L	.2	04826-SXS-A00ZC	\$40.48
#w/Right Rear Seat Assy Removed, Includes R&R Center Belt Buckle				
4 Protector, Seat Belt				
	R		82491-SWA-A00	\$6.90
	L		82891-SWA-A00	\$6.90
5 Belt, Center				
Japan Built				
Black		#.5	04827-SWA-A01ZA	\$164.75
Gray		#.5	04827-SWA-A01ZB	\$164.75
Ivory		#.5	04827-SWA-A01ZC	\$164.75
USA Built				
Black		#.5	04827-SXS-A01ZA	\$129.30

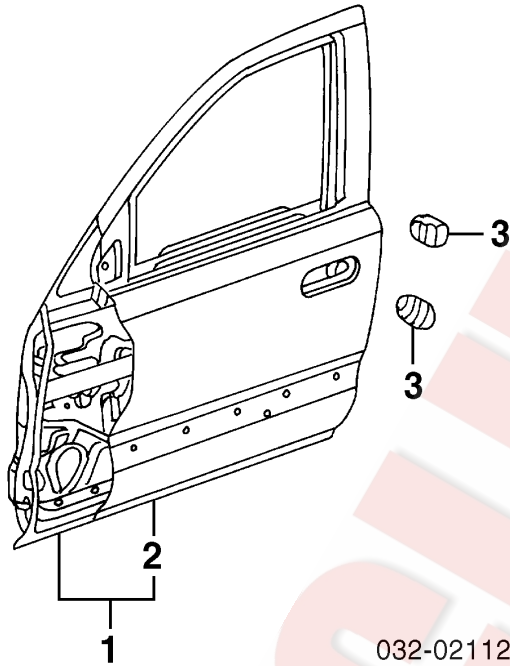
2010 Honda CR-V EX-L Utility

Gray	#.5	04827-SXS-A01ZB	\$129.30
Ivory	#.5	04827-SXS-A01ZC	\$129.30
Mexico Built			
Black	08-1 #.5	04827-SXS-A01ZA	\$129.30
Gray	08-1 #.5	04827-SXS-A01ZB	\$129.30
Ivory	08-1 #.5	04827-SXS-A01ZC	\$129.30
#w/Headliner Removed			
6 Buckle, Center Belt			
Japan Built			
Black	#.5	04829-SWA-A00ZA	\$31.07
Gray	#.5	04829-SWA-A00ZB	\$31.07
Ivory	#.5	04829-SWA-A00ZC	\$31.07
USA Built			
Black	#.5	04829-SXS-A00ZA	\$42.18
Gray	#.5	04829-SXS-A00ZB	\$42.18
Ivory	#.5	04829-SXS-A00ZC	\$42.18
Mexico Built			
Black	08-1 #.5	04829-SXS-A00ZA	\$42.18
Gray	08-1 #.5	04829-SXS-A00ZB	\$42.18
Ivory	08-1 #.5	04829-SXS-A00ZC	\$42.18
#w/Right Rear Seat Assy Removed			

FRONT DOOR

Procedures 16 and 28

SHEET METAL



032-02112

Refinish Door Outside	R	2.4
	L	2.4
Add for Jambs & Interior	R	1.0
	L	1.0
Add for Jambs	R	.5
	L	.5
R&I Door Assy	R	.5
	L	.5

NOTE: Manufacturer Advises that the Reinforcement Beam is High Strength Steel and should never be repaired.

1 Shell Assy, Door (HSS) (I)	R	#5.5	67010-SWA-A90ZZ	\$631.15
	L	#5.5	67050-SWA-A90ZZ	\$631.15
#Includes R&I/R&R Mirror				
2 Panel, Door Repair (I)¶	R	#7.5	67111-SWA-305ZZ	\$263.67
	L	#7.5	67151-SWA-305ZZ	\$263.67

(I) Add'l Non-Reusable Parts &/or Dealer Contact Required

¶Included w/Door Shell Assy

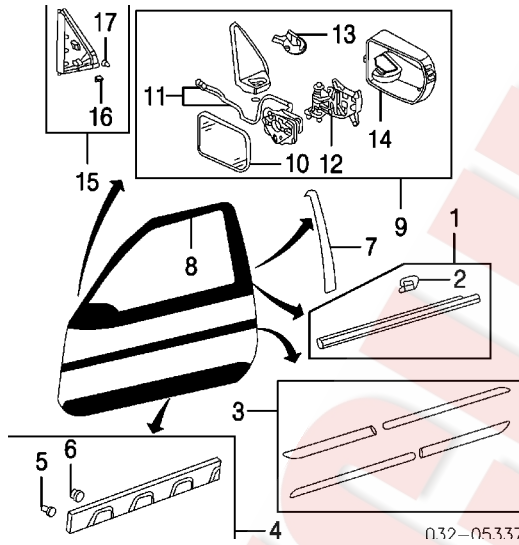
2010 Honda CR-V EX-L Utility

#Includes R&I/R&R Mirror & Door Glass

3 Stopper, Door

No. 1	R	.1	72142-SWA-A00	\$2.82
	L	.1	72142-SWA-A00	\$2.82
No. 2	R	.1	72142-S9A-000	\$3.27
	L	.1	72142-S9A-000	\$3.27

EXTERIOR TRIM



Refinish Side Moulding	R	.5		
	L	.5		
Refinish Rear View Mirror	R	.7		
	L	.7		
Refinish Mirror Base Cover	R	.2		
	L	.2		
Refinish Mirror Housing	R	.5		
	L	.5		
R&I Belt Moulding	R	#1.0		
	L	#1.0		
#Includes R&I Trim Panel & Mirror				
R&R Side Moulding	R	.2		
	L	.2		
R&I Lower Side Garnish	R	.3		
	L	.3		
R&I Rear View Mirror	R	#.8		
	L	#.8		

#Includes R&R Trim Panel

1Moulding Assy, Outer Belt	R	#.2	72410-SWA-A01	\$28.62
----------------------------	---	-----	---------------	---------

2010 Honda CR-V EX-L Utility

	L	#.2	72450-SWA-A01	\$35.40
#w/Trim Panel & Mirror Removed				
2	Clip, Belt Moulding (a)¶	R	91503-SWA-A01	\$2.23
		L	91503-SWA-A01	\$2.23
¶Included w/Outer Belt Moulding Assy				
(a) As Required				
3	Moulding Kit, Side (Adhesive) (b)			
Dealer Installed				
	Alabaster Silver, (Code NH700M)	09-1	# 08P05-SWA-1E1	\$235.18
	Borrego Beige, (Code YR566M)	07-0	# 08P05-SWA-180	\$235.18
	Crystal Black, (Code NH731P)	09-1	# 08P05-SWA-1P1	\$235.18
	Glacier Blue, (Code B538M)		# 08P05-SWA-151	\$235.18
	Green Tea, (Code G526M)	07-0	# 08P05-SWA-160	\$235.18
	Nighthawk Black, (Code B92P)	07-0	# 08P05-SWA-130	\$235.18
	Opal Sage, (Code G532M)	10	# 08P05-SWA-1S1	\$235.18
	Polished Metal, (Code NH737M)	10	# 08P05-SWA-1R1	\$235.18
	Royal Blue, (Code B536P)		# 08P05-SWA-140	\$235.18
	Urban Titanium, (Code YR578M)	09-1	# 08P05-SWA-1Q1	\$235.18
	Tafetta White, (Code NH578)		# 08P05-SWA-111	\$235.18
	Tango Red, (Code R525P)		# 08P05-SWA-171	\$235.18
	Whistler Silver, (Code NH711M)	07-0	# 08P05-SWA-120	\$235.18
(b) Includes Front & Rear				
#See Headnotes for Labor Time				
4	Garnish Assy, Lower Side			
	USA Built, Japan Built	R	.3 75312-SWA-003	\$67.52
		L	.3 75332-SWA-003	\$67.52
	Mexico Built	08-1	R .3 75312-SWW-E01	\$67.86

2010 Honda CR-V EX-L Utility

	L	.3	75332-SWW-E01	\$67.86
5 Clip, No. 1 Garnish (a) (e)	R		75315-S9A-004	\$1.93
	L		75315-S9A-004	\$1.93
(a) As Required				
			75316-S9A-004	
6 Clip, No. 2 Garnish (2/Side) (e)	R			\$2.20
	L		75316-S9A-004	\$2.20
(e) Included w/Lower Side Garnish Assy				
7 Tape, Door Sash	R	#.2	67324-SXS-A01	\$5.27
	L	#.2	67364-SXS-A01	\$5.27
#Time is to Install Only				
			72425-SWA-A02	
8 Moulding, Door Sash Upper (Adhesive) (f)	R	#.2		\$31.03
	L	#.2	72465-SWA-A02	\$25.28
(f) Non-Reusable Part				
#w/Mirror Assy Removed				
9 Mirror Assy, Rear View				
EX, LX Model	R	#.3	76200-SWA-A01	\$260.48
	L	#.3	76250-SXS-A01	\$203.33
EX-L Model				
Alabaster Silver, (Code NH700M)	09 R	#.3	76200-SWA-A21ZJ	\$260.48
	L	#.3	76250-SWA-A22ZJ	\$260.48
	10 R	#.3	76200-SWA-A22ZJ	\$260.48
	L	#.3	76250-SWA-A23ZJ	\$260.48
Borrego Beige, (Code YR566M)	07-0 R	#.3	76200-SWA-A21ZH	\$267.52
	L	#.3	76250-SWA-A22ZH	\$267.55
Crystal Black, (Code NH731P)	09 R	#.3	76200-SWA-A21ZM	\$260.48
	L	#.3	76250-SWA-A22ZM	\$260.48
	10 R	#.3	76200-SWA-A22ZM	\$260.48
	L	#.3	76250-SWA-A23ZM	\$260.48
Green Tea, (Code G526M)	07-0 R	#.3	76200-SWA-A21ZD	\$267.52
	L	#.3	76250-SWA-A22ZD	\$267.55
Glacier Blue, (Code B538M)	07-0 R	#.3	76200-SWA-A21ZB	\$260.48
	L	#.3	76250-SWA-A22ZB	\$260.48
	10 R	#.3	76200-SWA-A22ZB	\$260.48
	L	#.3	76250-SWA-A23ZB	\$260.48
Nighthawk Black, (Code B92P)	07-0 R	#.3	76200-SWA-A21ZC	\$267.52

2010 Honda CR-V EX-L Utility

	L	#.3	76250-SWA-A22ZC	\$267.55
Opal Sage, (Code G532M)	10 R	#.3	76200-SWA-A22ZN	\$260.48
	L	#.3	76250-SWA-A23ZN	\$260.48
Polished Metal, (Code NH737M)	10 R	#.3	76200-SWA-A22ZP	\$260.48
	L	#.3	76250-SWA-A23ZP	\$260.48
Royal Blue, (Code B536P)	07-0 R	#.3	76200-SWA-A21ZA	\$260.48
	10 R	#.3	76200-SWA-A22ZA	\$260.48
Tafetta White, (Code NH578)	L	#.3	76250-SWA-A23ZA	\$260.48
	07-0 R	#.3	76200-SWA-A21ZE	\$260.48
	L	#.3	76250-SWA-A21ZE	\$260.48
Tango Red, (Code R525P)	10 R	#.3	76200-SWA-A22ZE	\$260.48
	L	#.3	76250-SWA-A23ZE	\$260.48
	07-0 R	#.3	76200-SWA-A21ZG	\$260.48
Urban Titanium, (Code YR578M)	L	#.3	76250-SWA-A22ZG	\$260.48
	10 R	#.3	76200-SWA-A22ZG	\$260.48
	L	#.3	76250-SWA-A23ZG	\$260.48
Whistler Silver, (Code NH711M)	09 R	#.3	76200-SWA-A21ZL	\$260.48
	L	#.3	76250-SXS-A21ZJ	\$260.48
	10 R	#.3	76200-SWA-A22ZL	\$260.48
#w/Trim Panel Removed	L	#.3	76250-SXS-A21ZJ	\$260.48
	07-0 R	#.3	76200-SWA-A21ZF	\$267.52
	L	#.3	76250-SWA-A22ZF	\$267.55
10 Glass, Mirror (c)				
Heated	07-0 R	.2	76203-SWA-C21	\$27.00
	L	.2	76253-SWA-315	\$28.07
	10 R	.2	76203-SWA-305	\$27.00
	L	.2	76253-SWA-315	\$28.07
Non-Heated	R	.2	76203-SWA-A01	\$13.93
	L	.2	76253-SXS-A01	\$13.32
11 Actuator (c)				
Heated Glass	R		76210-SWA-C21	\$23.53
	L		76215-SWA-C21	\$23.53
Non-Heated Glass	R		76210-SWA-A01	\$21.02
	L		76215-SWA-A01	\$21.02
12 Bracket, Actuator (c)				
	R		76204-SWA-A01	\$32.98
	L		76254-SWA-A01	\$32.98

2010 Honda CR-V EX-L Utility

13 Cover, Base (c)

EX, LX Model	R	76202-SWA-A01	\$3.28
	L	76252-SWA-A01	\$3.28
EX-L Model			
Alabaster Silver, (Code NH700M)	09-1 R	76202-SWA-A11ZJ	\$15.40
	L	76252-SWA-A11ZJ	\$15.40
Borrego Beige, (Code YR566M)	07-0 R	76202-SWA-A11ZH	\$15.40
	L	76252-SWA-A11ZH	\$15.40
Crystal Black, (Code NH731P)	09-1 R	76202-SWA-A11ZM	\$15.40
	L	76252-SWA-A11ZM	\$15.40
Green Tea, (Code G526M)	07-0 R	76202-SWA-A11ZD	\$15.40
	L	76252-SWA-A11ZD	\$15.40
Glacier Blue, (Code B538M)	R	76202-SWA-A11ZB	\$15.40
	L	76252-SWA-A11ZB	\$15.40
Nighthawk Black, (Code B92P)	07-0 R	76202-SWA-A11ZC	\$15.40
	L	76252-SWA-A11ZC	\$15.40
Opal Sage, (Code G532M)	10 R	76202-SWA-A11ZN	\$14.57
	L	76252-SWA-A11ZN	\$14.57
Polished Metal, (Code NH737M)	10 R	76202-SWA-A11ZP	\$14.57
	L	76252-SWA-A11ZP	\$14.57
Royal Blue, (Code B536P)	R	76202-SWA-A11ZA	\$15.40
	L	76252-SWA-A11ZA	\$15.40
Tafetta White, (Code NH578)	R	76202-SWA-A11ZE	\$15.40
	L	76252-SWA-A11ZE	\$15.40
Tango Red, (Code R525P)	R	76202-SWA-A11ZG	\$15.40
	L	76252-SWA-A11ZG	\$15.40
Urban Titanium, (Code YR578M)	09-1 R	76202-SWA-A11ZL	\$15.40
	L	76252-SWA-A11ZL	\$15.40
Whistler Silver, (Code NH711M)	07-0 R	76202-SWA-A11ZF	\$15.40
	L	76252-SWA-A11ZF	\$15.40

14 Housing, Mirror (c)

EX, LX Model	R	76205-SWA-A01	\$17.28
--------------	---	---------------	---------

2010 Honda CR-V EX-L Utility

EX-L Model	L	76255-SWA-A01	\$17.28
Alabaster Silver, (Code NH700M)	09-1 R	76205-SWA-A11ZJ	\$39.07
	L	76255-SWA-A11ZJ	\$39.07
Borrego Beige, (Code YR566M)	07-0 R	76205-SWA-A11ZG	\$39.07
	L	76255-SWA-A11ZG	\$39.07
Crystal Black, (Code NH731P)	09-1 R	76205-SWA-A11ZM	\$39.07
	L	76255-SWA-A11ZM	\$39.07
Green Tea, (Code G526M)	R	76205-SWA-A11ZH	\$39.07
	L	76255-SWA-A11ZH	\$39.07
Glacier Blue, (Code B538M)	R	76205-SWA-A11ZB	\$39.07
	L	76255-SWA-A11ZB	\$39.07
Opal Sage, (Code G532M)	10 R	76205-SWA-A11ZN	\$37.20
	L	76255-SWA-A11ZN	\$37.20
Polished Metal, (Code NH737M)	10 R	76205-SWA-A11ZP	\$37.20
	L	76255-SWA-A11ZP	\$37.20
Nighthawk Black, (Code B92P)	07-0 R	76205-SWA-A11ZC	\$39.07
	L	76255-SWA-A11ZC	\$39.07
Royal Blue, (Code B536P)	R	76205-SWA-A11ZA	\$39.07
	L	76255-SWA-A11ZA	\$39.07
Tafetta White, (Code NH578)	R	76205-SWA-A11ZD	\$39.07
	L	76255-SWA-A11ZD	\$39.07
Tango Red, (Code R525P)	R	76205-SWA-A11ZF	\$39.07
	L	76255-SWA-A11ZF	\$39.07
Urban Titanium, (Code YR578M)	09 R	76205-SWA-A11ZL	\$39.07
	L	76255-SWA-A11ZL	\$39.07
Whistler Silver, (Code NH711M)	07-0 R	76205-SWA-A11ZE	\$39.07
	L	76255-SWA-A11ZE	\$39.07

(c) Included w/Rear View Mirror Assy

15 Garnish Assy, Door	R	76220-SWA-003ZA	\$23.77
	L	76270-SWA-003ZA	\$22.20

2010 Honda CR-V EX-L Utility

16 Clip, Garnish (2/Side) (d)	R	90666-S84-A01	\$0.37
	L	90666-S84-A01	\$0.37
17 Grommet, Garnish (d)	R	91610-SJ4-003	\$3.10
	L	91610-SJ4-003	\$3.10

(d) Included w/Door Garnish Assy

Guard Kit, Door Edge (b)

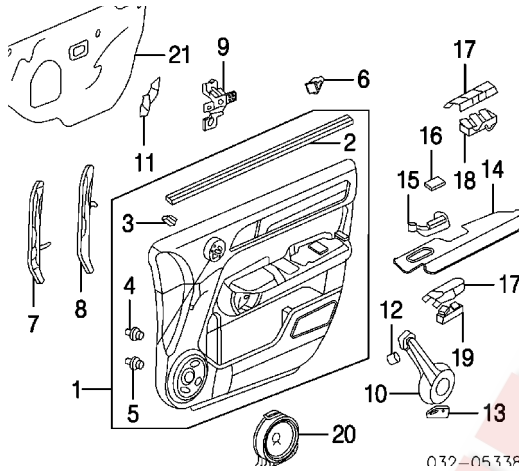
Dealer Installed

Alabaster Silver, (Code NH700M)	09-10	08P20-SWA-1E0	\$70.35
Borrego Beige, (Code YR566M)	07-09	08P20-SWA-180	\$70.35
Crystal Black, (Code NH731P)	09-10	08P20-SWA-1P0	\$70.35
Green Tea, (Code G526M)	07-09	08P20-SWA-160	\$70.35
Glacier Blue, (Code B538M)		08P20-SWA-150	\$70.35
Nighthawk Black, (Code B92P)	07-08	08P20-SWA-130	\$70.00
Opal Sage, (Code G532M)	10	08P20-SWA-1S0	\$70.35
Polished Metal, (Code NH737M)	10	08P20-SWA-1R0	\$70.35
Royal Blue, (Code B536P)		08P20-SWA-140	\$70.35
Tafetta White, (Code NH578)		08P20-SWA-110	\$70.35
Tango Red, (Code R525P)		08P20-SWA-170	\$70.35
Urban Titanium, (Code YR578M)	09-10	08P20-SWA-1Q0	\$70.35
Whistler Silver, (Code NH711M)	07-08	08P20-SWA-120	\$70.35

(b) Includes Front & Rear

INTERIOR TRIM

2010 Honda CR-V EX-L Utility



R&I Trim Panel

R	.5
L	.5

NOTE: All Parts in this section are included in R&R Trim Panel unless noted otherwise.

1 Panel Assy, Trim

Japan, USA Built

Black

07 R	.7	83501-SWA-A01ZB	\$256.42
L	.7	83551-SWA-A01ZB	\$318.53
08-0 R	.7	83501-SWA-A01ZD	\$333.90
L	.7	83551-SWA-A01ZD	\$333.90
10 R	.7	83501-SWA-A01ZB	\$256.42
L	.7	83551-SWA-A01ZB	\$318.53

Gray

07 R	.7	83501-SWA-A01ZA	\$256.42
L	.7	83551-SWA-A01ZA	\$330.28
08-0 R	.7	83501-SWA-A01ZE	\$333.90
L	.7	83551-SWA-A01ZE	\$333.90
10 R	.7	83501-SWA-A01ZA	\$256.42
L	.7	83551-SWA-A01ZA	\$330.28

Ivory

07 R	.7	83501-SWA-A01ZC	\$256.42
L	.7	83551-SWA-A01ZC	\$318.53
08-0 R	.7	83501-SWA-A01ZF	\$333.90
L	.7	83551-SWA-A01ZF	\$333.90
10 R	.7	83501-SWA-A01ZC	\$256.42
L	.7	83551-SWA-A01ZC	\$318.53

Mexico Built

Black

08-1 R	.7	83501-SYE-A00ZB	\$172.48
L	.7	83551-SYE-A00ZB	\$172.48

Gray

08-1 R	.7	83501-SYE-A00ZA	\$172.48
L	.7	83551-SYE-A00ZA	\$172.48

Ivory

08-1 R	.7	83501-SYE-A00ZC	\$172.48
L	.7	83551-SYE-A00ZC	\$172.48

2010 Honda CR-V EX-L Utility

2	Moulding, Inner Belt	R	#.2	72335-SWA-A01	\$11.87
		L	#.2	72375-SWA-A01	\$7.92
	#w/Trim Panel Removed				
3	Clip, Moulding (3/Side)	R		90669-SHJ-A01	\$2.67
		L		90669-SHJ-A01	\$2.67
4	Clip, No. 1 Trim (3/Side)	R		91560-S84-A01	\$1.62
		L		91560-S84-A01	\$1.62
5	Clip, No. 2 Trim (6/Side)	R		91560-S84-A01	\$1.62
		L		91560-S84-A01	\$1.62
	¶Included w/Trim Panel Assy				
6	Grommet, Trim	R		91627-SWA-003	\$2.02
		L		91627-SWA-003	\$2.02
	Bracket, Trim Panel				
7	No. 1	R		72225-SWA-A00	\$14.23
		L		72265-SWA-A00	\$14.23
8	No. 2	R		72226-SWA-A00	\$15.97
		L		72226-SWA-A00	\$15.97
9	Brace, Upper	R		83505-SWA-A01	\$10.98
		L		83555-SWA-A01	\$10.98
10	Grip, Door				
	Black				
	Japan, USA Built	10	R	83506-SWA-A22ZE	\$50.87
			L	83556-SWA-A22ZE	\$50.87
	Mexico Built	10	R	83506-SYE-A11ZA	\$77.08
			L	83556-SYE-A11ZA	\$77.08
	Gray	07	R	83506-SWA-A21ZB	\$41.95
			L	83556-SWA-A21ZB	\$45.13
		08-0	R	83506-SWA-A21ZC	\$33.87
			L	83556-SWA-A21ZC	\$45.13
	Silver	07	R	83506-SWA-A21ZA	\$41.95
			L	83556-SWA-A21ZA	\$45.13
		08-0	R	83506-SWA-A21ZD	\$33.87
			L	83556-SWA-A21ZD	\$45.13
11	Bracket, Grip				
	Japan, USA Built		R	83535-SWA-A01	\$6.03
			L	83585-SWA-A01	
	Mexico Built	08-1	R	83535-SYE-A01	\$16.00
			L	83585-SYE-A01	\$16.00
	Cap, Door Grip				
12	Upper				
	Japan, USA Built		R	83525-SWA-A01ZA	\$2.02
			L	83575-SWA-A01ZA	\$2.23
	Mexico Built	08-1	R	83525-SYE-A01ZA	\$14.10
			L	83575-SYE-A01ZA	\$14.10
13	Lower				

2010 Honda CR-V EX-L Utility

Japan, USA Built			
Black	R		83530-SWA-A01ZB \$2.50
	L		83580-SWA-A01ZB \$2.32
Gray	R		83530-SWA-A01ZA \$2.50
	L		83580-SWA-A01ZA \$2.32
Ivory	R		83530-SWA-A01ZC \$2.50
	L		83580-SWA-A01ZC \$2.32
Mexico Built			
Black	08-1 R		83530-SYE-A01ZB \$14.10
	L		83580-SYE-A01ZB \$14.10
Gray	08-1 R		83530-SYE-A01ZA \$14.10
	L		83580-SYE-A01ZA \$14.10
Ivory	08-1 R		83530-SYE-A01ZC \$14.10
	L		83580-SYE-A01ZC \$14.10
14 Armrest (a)			
EX Model	R		83502-SWA-A11ZB \$70.54
	L		83552-SWA-A11ZB \$61.65
EX-L Model	R		83502-SWA-A22ZB \$100.74
	L		83552-SWA-A22ZB \$105.28
LX Model	R		83502-SWA-A01ZB \$38.92
	L		83552-SWA-A01ZB \$59.92
(a) Black listed, Order by Color			
15 Pocket, Door Pull			
Black	R		83520-SWA-A01ZB \$5.77
	L		83570-SWA-A01ZB \$2.60
Gray	R		83520-SWA-A01ZA \$5.77
	L		83570-SWA-A01ZA \$2.60
Ivory	R		83520-SWA-A01ZC \$5.77
	L		83570-SWA-A01ZC \$2.60
16 Cap, Pocket			
Black	R		83506-SWA-003ZB \$3.20
	L		83506-SWA-003ZB \$3.20
Gray	R		83506-SWA-003ZA \$3.20
	L		83506-SWA-003ZA \$3.20
Ivory	R		83506-SWA-003ZC \$3.20
	L		83506-SWA-003ZC \$3.20
17 Panel, Switch			
Japan, USA Built	R	#.2	83510-SWA-A01ZA \$6.75
	L	#.2	83560-SWA-A01ZA \$5.92
Mexico Built	08-1 R	#.2	83510-SYE-A02ZA \$27.15
	L	#.2	83560-SYE-A01ZA \$27.15
18 Switch, Pass Window	07-0 R	#.2	35760-SWA-A01 \$16.00
	10 R	#.2	35760-SWA-A11 \$13.73
19	L	#.2	35750-SWA-A01 \$64.02
	L	#.2	35750-SWA-A11 \$55.47

2010 Honda CR-V EX-L Utility

#R&R One Side Complete

20 Speaker, Door
EX, LX Model

07-0	R	#.2	39120-SMG-E02	\$61.63
	L	#.2	39120-SMG-E02	\$61.63
09-1	R	#.2	39120-SMG-E02	\$61.63
	L	#.2	39120-SMG-E02	\$61.63
	R	#.2	39120-SVA-A01	\$26.63
	L	#.2	39120-SVA-A01	\$26.63

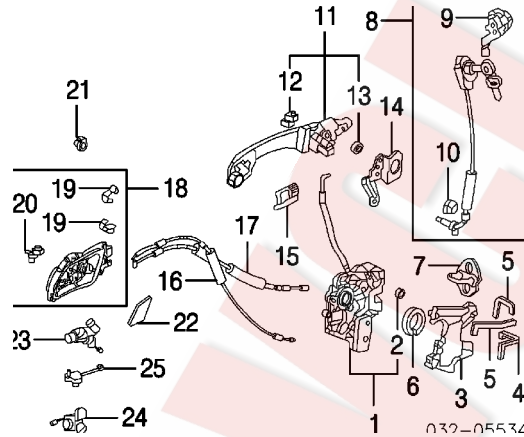
#w/Trim Panel Removed, Not Included in R&R Trim Panel

21 Shield, Moisture

R	#	72321-SWA-A01	\$16.35
L	#	72361-SWA-A01	\$16.35

#w/Trim Panel Removed, Not Included in R&R Trim Panel

HARDWARE



Refinish Outside Handle

R	.5
L	.5

Refinish Upper Hinge

R	.5
L	.5

Refinish Lower Hinge

R	.5
L	.5

R&I Outside Handle

R	#1.0
L	#1.0

#Includes R&I Trim Panel

1 Latch Assy, Door

R	#.4	72110-SWA-D01	\$52.13
L	#.4	72150-SWA-A01	\$59.25

#w/Trim Panel Removed

2 Fastener, Latch (a)

R		72111-SEN-H01	\$2.37
L		72139-SR3-003	\$4.58

2010 Honda CR-V EX-L Utility

(a) Included w/Door Latch Assy

3	Cover, Latch	R		72112-SWA-A01	\$1.68
		L		72152-SWA-A01	\$1.03
	Seal, Door Latch				
4	No. 1, (2/Side)	R		72115-SWA-A01	\$3.03
		L		72115-SWA-A01	\$3.03
5	No. 2, (2/Side)	R		72114-SWA-A01	\$3.68
		L		72114-SWA-A01	\$3.68
6	No. 3	R		72113-SWA-A01	\$3.73
		L		72113-SWA-A01	\$3.73
7	Striker, Latch	R	.2	72135-SDA-A01	\$5.88
		L	.2	72135-SDA-A01	\$5.88
8	Cylinder Assy, Door Lock #w/Trim Panel Removed	L	#.2	72185-SWA-A01	\$71.10
9	Protector, Handle (b)	L		72170-SWA-A01	\$3.80
10	Retainer, Cylinder (b)	L		72144-SJD-003	\$3.32

¶ Included w/Complete Lock Set-listed in Steering Wheel/Column Section

(b) Included w/Door Lock Cylinder Assy

11	Handle Assy, Outside				
	EX, LX Model	R	#.5	72140-SWA-A01	\$22.87
		L	#.5	72180-SWA-A01	\$22.87
	EX-L Model				
	Alabaster Silver, (Code NH700M)	09 R	#.5	72140-SWA-A11ZQ	\$41.62
		L	#.5	72180-SWA-A11ZQ	\$41.62
	Glacier Blue, (Code B538M)	R	#.5	72140-SWA-A11ZB	\$41.62
		L	#.5	72180-SWA-A11ZB	\$41.62
	Borrego Beige, (Code YR566M)	R	#.5	72140-SWA-A11ZH	\$41.62
		L	#.5	72180-SWA-A11ZH	\$41.62
	Crystal Black, (Code NH731P)	09 R	#.5	72140-SWA-A11YA	\$41.62
		L	#.5	72180-SWA-A11YA	\$41.62
	Green Tea, (Code G526M)	R	#.5	72140-SWA-A11ZD	\$41.62
		L	#.5	72180-SWA-A11ZD	\$41.62
	Nighthawk Black, (Code B92P)	07-0 R	#.5	72140-SWA-A11ZC	\$41.62
		L	#.5	72180-SWA-A11ZC	\$41.62
	Royal Blue, (Code B536P)	R	#.5	72140-SWA-A11ZA	\$41.62

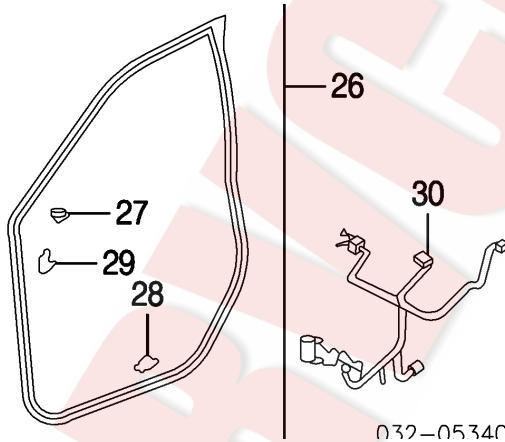
2010 Honda CR-V EX-L Utility

	L	#.5	72180-SWA-A11ZA	\$41.62
Tafetta White, (Code NH578)	R	#.5	72140-SWA-A11ZE	\$41.62
	L	#.5	72180-SWA-A11ZE	\$41.62
Tango Red, (Code R525P)	R	#.5	72140-SWA-A11ZG	\$41.62
	L	#.5	72180-SWA-A11ZG	\$41.62
Urban Titanium, (Code YR578M)	09 R	#.5	72140-SWA-A11ZX	\$41.62
	L	#.5	72180-SWA-A11ZX	
Whistler Silver, (Code NH711M)	07-0 R	#.5	72140-SWA-A11ZF	\$41.62
	L	#.5	72180-SWA-A11ZF	\$41.62
#w/Trim Panel Removed				
12 Bushing, Joint (c)	R		72141-SD4-004	\$2.86
	L		72181-SD4-004	\$2.86
13 Gasket, Mount (c)	R		72143-S04-003	\$2.53
	L		72143-S04-003	\$2.53
(c) Included w/Outside Handle Assy				
14 Protector, Outside Handle	R		72130-SWA-A01	\$12.42
	L		N.A.	
15 Spacer, Handle	R		72146-S9A-003	\$3.38
	L		72146-S9A-003	\$3.38
16 Cable, Latch	R		72133-SWA-A01	\$2.52
	L		72133-SWA-A01	\$2.52
17 Cable, Inside Handle	R		72131-SWA-A01	\$2.80
	L		72171-SWA-A01	\$2.80
18 Handle Assy, Inside				
Japan Built	R	#.2	72120-SWA-A01ZA	\$47.05
	L	#.2	72160-SWA-A01ZA	\$47.05
USA Built	R	#.2	72120-SWA-A02ZA	\$36.00
	L	#.2	72160-SWA-A02ZA	\$36.00
Mexico Built	08-1 R	#.2	72120-SWA-A02ZA	\$36.00
	L	#.2	72160-SWA-A02ZA	\$36.00
#w/Trim Panel Removed				
19 Clip, Cable (2/Side) (d)	R		72134-SHJ-003	\$2.23
	L		72174-SHJ-003	\$2.23
20 Snap, Handle (d)				
Japan Built	R		72149-SAA-003	\$1.62
	L		72189-SAA-003	\$1.62
USA Built	R		72149-SWA-E00	\$6.35
	L		72189-SWA-E00	\$6.35

(d) Included w/Inside Handle Assy

2010 Honda CR-V EX-L Utility

21 Fastener, Cable	R		74387-S3C-003	\$2.92
	L		74387-S3C-003	\$2.92
22 Cap, Inside Handle				
Japan Built	R		72121-SWA-A01ZA	\$3.78
	L		72161-SWA-A01ZA	\$3.78
USA Built	R		72121-SWA-A02ZA	\$6.33
	L		72161-SWA-A02ZA	\$6.33
23 Hinge, Upper				
Japan Built	R	#.2	67410-SNE-A01ZZ	\$18.27
	L	#.2	67450-SNE-A01ZZ	\$18.27
USA Built	R	#.2	67410-SNE-A01ZZ	\$18.27
	L	#.2	67450-SNE-A01ZZ	\$18.27
24 Hinge, Lower				
Japan Built	R	#.2	67420-SDA-A01ZZ	\$22.37
	L	#.2	67460-SDA-A01ZZ	\$22.37
USA Built	R	#.2	67420-SDA-A01ZZ	\$22.37
	L	#.2	67460-SDA-A01ZZ	\$22.37
#w/Door Removed				
25 Check, Door	R	#.2	72340-SWA-A01	\$31.93
	L	#.2	72380-SWA-A01	\$31.93
#w/Trim Panel Removed				



26 Weatherstrip Assy, Door Opening (On Door)				
Japan Built	R	.5	72310-SWA-A01	\$29.10
	L	.5	72350-SWA-A01	\$29.10
USA Built	R	.5	72310-SXS-A01	\$28.98
	L	.5	72350-SXS-A01	\$107.08
Mexico Built	08-1 R	.5	72310-SXS-A01	\$28.98
	L	.5	72350-SXS-A01	\$107.08
27 Clip, No. 1 W/Strip (14/Side) (e)	R		91530-S0A-003	\$2.22
	L		91530-S0A-003	\$2.22

2010 Honda CR-V EX-L Utility

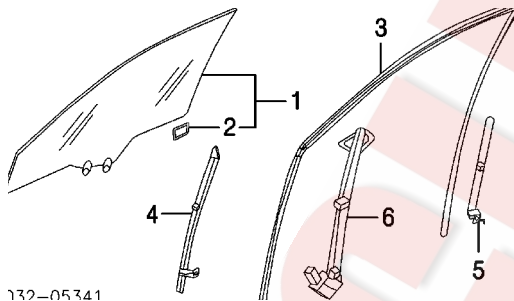
28 Clip, No. 2 W/Strip (e)	R	90651-S4N-003	\$1.83
	L	90651-S4N-003	\$1.83
29 Fastener, W/Strip (2/Side) (e)	R	91563-SFA-003	\$1.33
	L	91563-SFA-003	\$1.33

(e) Included w/Door Opening Weatherstrip Assy

30 Harness, Door (f)	EX, LX Model		
	R	32752-SWA-A00	\$56.70
	L	32751-SWA-A00	\$50.75
	EX-L Model		
	R	32752-SWA-A10	\$39.82
	L	32751-SWA-A10	\$88.03

(f) Order by Application

GLASS & PARTS



132-05341

1 Glass Assy, Front Door			
Honda			
EX, EX-L Model			
Japan Built		R	1.2 73300-SWA-A00 \$230.85
		L	1.2 73350-SWA-A00 \$230.85
USA Built		R	1.2 73300-SXS-A00 \$226.32
		L	1.2 73350-SXS-A00 \$226.32
Mexico Built		08-1 R	1.2 73300-SXS-A00 \$226.32
		L	1.2 73350-SXS-A00 \$226.32
LX Model			
Japan Built		R	1.2 73300-SWA-A10 \$230.85
		L	1.2 73350-SWA-A10 \$230.85
USA Built		R	1.2 73300-SXS-A10 \$226.32
		L	1.2 73350-SXS-A10 \$226.32
Mexico Built		08-1 R	1.2 73300-SXS-A10 \$226.32
		L	1.2 73350-SXS-A10 \$226.32
NAGS		R	1.2 FD23271GTY \$299.30
		L	1.2 FD23272GTY \$299.30
2 Label, Immobilizer			
EX, EX-L Model			
		R	39885-S5A-A11 \$2.02
		L	39885-S5A-A11 \$2.02
LX Model			
		R	39885-S5A-A01 \$2.08

2010 Honda CR-V EX-L Utility

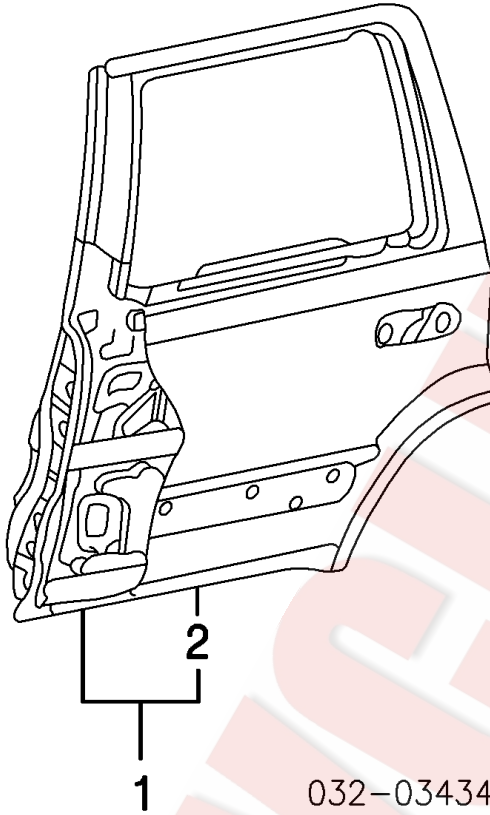
	L		39885-S5A-A01	\$2.08
¶Included w/Front Door Glass Assy				
3 Channel, Run	R	#.3	72235-SWA-A02	\$62.40
	L	#.3	72275-SWA-A02	\$62.40
#w/Glass Removed				
4 Sash, Door Front	R		72230-SWA-A01	\$13.50
	L		72270-SWA-A01	\$13.50
5 Sash, Door Rear	R		72231-SWA-A01	\$7.55
	L		72271-SWA-A01	\$7.55
6 Regulator, Power	R	#1.5	72210-SWA-A01	\$274.03
	L	#1.5	72250-SWA-A01	\$301.43
#w/Glass Removed Deduct 1.0				

2010 Honda CR-V EX-L Utility

REAR DOOR

Procedures 16 and 28

SHEET METAL



Refinish Door Outside	R	2.3
	L	2.3
Add for Jams & Interior	R	1.0
	L	1.0
Add for Jams	R	.5
	L	.5
R&I Door Assy	R	.5
	L	.5

NOTE: Manufacturer Advises that the Reinforcement Beam is High Strength Steel and should never be repaired.

1 Shell Assy, Door (HSS) (I)	R	4.5	67510-SWA-A90ZZ	\$606.98
	L	4.5	67550-SWA-A90ZZ	\$606.98
2 Panel, Door Repair (I)¶	R	#7.0	67611-SWA-305ZZ	\$245.25
	L	#7.0	67651-SWA-305ZZ	\$245.25

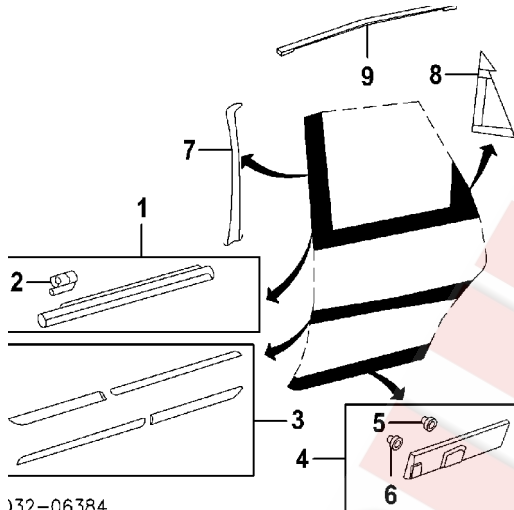
(I) Add'l Non-Reusable Parts &/or Dealer Contact Required

2010 Honda CR-V EX-L Utility

¶Included w/Door Shell Assy

#Includes R&I/R&R Door Glass

EXTERIOR TRIM



132-06384

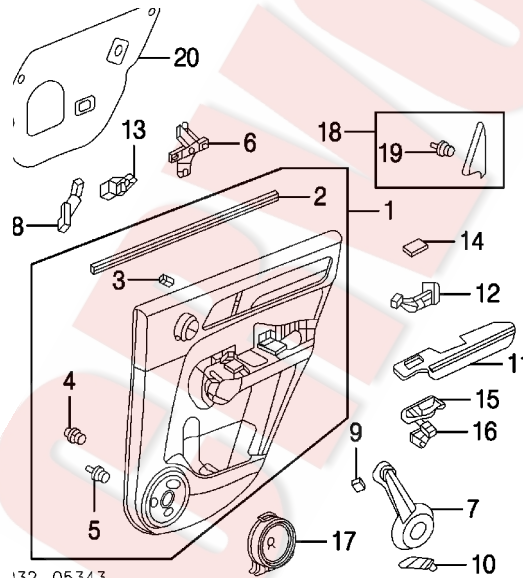
Refinish Side Moulding	R		.5		
	L		.5		
R&I Belt Moulding	R	#.6			
	L	#.6			
#Includes R&I Trim Panel					
R&R Side Moulding	R		.2		
	L		.2		
R&I Lower Side Garnish	R		.3		
	L		.3		
1 Moulding Assy, Outer Belt	R	#.2		72910-SWA-A01	\$25.50
	L	#.2		72950-SWA-A01	\$25.50
#w/Trim Panel Removed					
2 Clip, Belt Moulding (11/Side)¶	R			91503-SWA-A01	\$2.23
	L			91503-SWA-A01	\$2.23
¶Included w/Outer Belt Moulding Assy					
3 Moulding Kit, Side					
Dealer Installed-See Front Door Section					
4 Garnish Assy, Lower Side					
USA Built, Japan Built	R	.3		75313-SWA-003	\$42.40
	L	.3		75333-SWA-003	\$45.07
Mexico Built	08-1 R	.3		75313-SWW-E01	\$42.61
	L	.3		75333-SWA-003	\$45.07

2010 Honda CR-V EX-L Utility

5 Clip, No. 1 Garnish (a) (b)	R		75315-S9A-004	\$1.93
	L		75315-S9A-004	\$1.93
(b) As Required				
6 Clip, No. 2 Garnish (2/Side) (a)	R		75316-S9A-004	\$2.20
	L		75316-S9A-004	\$2.20
(a) Included w/Lower Side Garnish Assy				
7 Tape, Door Sash				
Japan Built	R	#.2	67824-SXS-A01	\$9.02
	L	#.2	67864-SXS-A01	\$9.02
USA Built	R	#.2	67824-SXS-A01	\$9.02
	L	#.2	67864-SXS-A01	\$9.02
#Time is to Install Only				
8 Garnish, Rear	R		72721-SWA-003	\$14.78
	L		72761-SWA-003	\$14.78
			72925-SWA-A02	
9 Moulding, Upper (Adhesive) (c)	R	.2		\$27.48
	L	.2	72965-SWA-A02	\$27.48
(c) Non-Reusable Part				

Guard Kit, Door Edge-See Front Door Section

INTERIOR TRIM



R&I Trim Panel

R	.4
L	.4

NOTE: All Parts in this section are included in R&R Trim Panel unless noted otherwise.

2010 Honda CR-V EX-L Utility

1 Panel Assy, Trim				
Japan, USA Built				
Black	07 R	.5	83701-SWA-A01ZB	\$191.15
	L	.5	83751-SWA-A01ZB	\$191.10
	08-1 R	.5	83701-SWA-A01ZD	\$221.42
	L	.5	83751-SWA-A01ZD	\$221.42
Gray	07 R	.5	83701-SWA-A01ZA	\$191.15
	L	.5	83751-SWA-A01ZA	\$191.10
	08-1 R	.5	83701-SWA-A01ZE	\$221.42
	L	.5	83751-SWA-A01ZE	\$221.42
Ivory	07 R	.5	83701-SWA-A01ZC	\$191.15
	L	.5	83751-SWA-A01ZC	\$191.10
	08-1 R	.5	83701-SWA-A01ZF	\$221.42
	L	.5	83751-SWA-A01ZF	\$221.42
Mexico Built				
Black	08-1 R	.5	83701-SYE-A00ZD	\$121.50
	L	.5	83751-SYE-A00ZD	\$121.50
Gray	08-1 R	.5	83701-SYE-A01ZA	\$126.10
	L	.5	83751-SYE-A01ZA	\$126.10
Ivory	08-1 R	.5	83701-SYE-A00ZF	\$121.50
	L	.5	83751-SYE-A00ZF	\$121.50
2 Moulding, Inner Belt¶	R	#.2	72835-SWA-A01	\$6.98
	L	#.2	72835-SWA-A01	\$6.98
#w/Trim Panel Removed				
3 Clip, Moulding (3/Side)¶	R		90669-SHJ-A01	\$2.67
	L		90669-SHJ-A01	\$2.67
4 Clip, No. 1 Trim (3/Side)¶	R		91560-SLJ-J01	\$0.28
	L		91560-SLJ-J01	\$0.28
5 Clip, No. 2 Trim (4/Side)¶	R		91560-S84-A01	\$1.62
	L		91560-S84-A01	\$1.62
¶Included w/Trim Panel Assy				
6 Brace, Upper	R		83705-SWA-A01	\$10.98
	L		83755-SWA-A01	\$10.98
7 Grip, Door				
Gray	07 R		83703-SWA-A21ZB	\$41.10
	L		83753-SWA-A21ZB	\$41.10
	08-0 R		83703-SWA-A21ZC	\$41.10
	L		83753-SWA-A21ZC	\$41.10
Silver	07 R		83703-SWA-A21ZA	\$41.10
	L		83753-SWA-A21ZA	\$41.10
	08-0 R		83703-SWA-A21ZD	\$41.10
	L		83753-SWA-A21ZD	\$41.10
8 Bracket, Grip	R		83535-SWA-A01	\$6.03
	L		83535-SWA-A01	\$6.03
Cap, Door Grip				

2010 Honda CR-V EX-L Utility

9	Upper	R		83720-SWA-A01ZA	\$2.23	
		L		83770-SWA-A01ZA	\$2.23	
10	Lower					
	Black	R		83725-SWA-A01ZB	\$2.50	
		L		83775-SWA-A01ZB	\$2.50	
	Gray	R		83725-SWA-A01ZA	\$2.50	
		L		83775-SWA-A01ZA	\$2.50	
	Ivory	R		83725-SWA-A01ZC	\$2.50	
		L		83775-SWA-A01ZC	\$2.50	
11	Armrest (a)					
	EX Model	R		83702-SWA-A11ZB	\$35.08	
		L		83752-SWA-A11ZB	\$33.98	
	EX-L Model	R		83702-SWA-A22ZB	\$66.79	
		L		83752-SWA-A22ZB	\$66.79	
	LX Model	R		83702-SWA-A01ZB	\$35.08	
		L		83752-SWA-A01ZB	\$33.98	
	(a) Black listed, Order by Color					
12	Pocket, Door Pull					
	Black	R		83715-SWA-A01ZB	\$5.27	
		L		83765-SWA-A01ZB	\$2.43	
	Gray	R		83715-SWA-A01ZA	\$5.27	
		L		83765-SWA-A01ZA	\$2.43	
	Ivory	R		83715-SWA-A01ZC	\$5.27	
		L		83765-SWA-A01ZC	\$2.43	
13	Bracket, Pull	R		83709-SWA-000	\$4.07	
		L		83759-SWA-000	\$4.07	
14	Cap, Pocket					
	Black	R		83506-SWA-003ZB	\$3.20	
		L		83506-SWA-003ZB	\$3.20	
	Gray	R		83506-SWA-003ZA	\$3.20	
		L		83506-SWA-003ZA	\$3.20	
	Ivory	R		83506-SWA-003ZC	\$3.20	
		L		83506-SWA-003ZC	\$3.20	
15	Panel, Switch	R	#.2	83710-SWA-A01ZA	\$6.63	
		L	#.2	83760-SWA-A01ZA	\$5.52	
16	Switch, Power Window	R	#.2	35760-SWA-J01	\$9.80	
		L	#.2	35760-SWA-J01	\$9.80	
	#R&R One Side Complete					
17	Speaker, Door					
	EX, LX Model	07-0	R	#.2	39120-SMG-E02	\$61.63
			L	#.2	39120-SMG-E02	\$61.63
		09-1	R	#.2	39120-SMG-E02	\$61.63
			L	#.2	39120-SMG-E02	\$61.63
	EX-L Model		R	#.2	39120-SVA-A01	\$26.63
			L	#.2	39120-SVA-A01	\$26.63

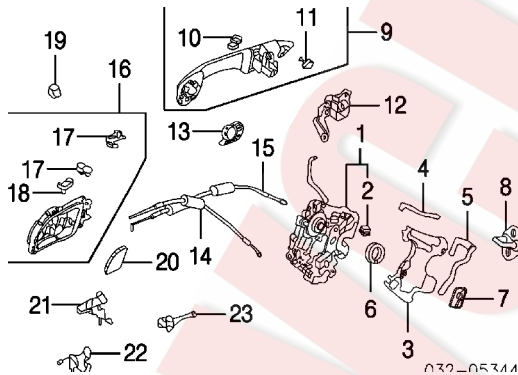
2010 Honda CR-V EX-L Utility

#w/Trim Panel Removed, Not Included in R&R Trim Panel

18 Garnish Assy, Upper				
Japan Built	R	.1	72940-SWA-003ZA	\$7.37
	L	.1	72980-SWA-003ZA	\$7.37
USA Built	R	.1	72940-SWW-E00ZA	\$4.30
	L	.1	72980-SWW-E00ZA	\$4.30
19 Clip, Garnish (2/Side) (b)	R		91560-S0X-A01	\$1.58
	L		91560-S0X-A01	\$1.58
 (b) Included w/Upper Garnish Assy				
20 Shield, Moisture	R	#	72821-SWA-A00	\$12.17
	L	#	72861-SWA-A00	\$12.17

#w/Trim Panel Removed, Not Included in R&R Trim Panel

HARDWARE



Refinish Outside Handle	R	.5		
	L	.5		
Refinish Upper Hinge	R	.5		
	L	.5		
Refinish Lower Hinge	R	.5		
	L	.5		
R&I Outside Handle	R	#.8		
	L	#.8		
 #Includes R&I Trim Panel				
1 Latch Assy, Door	R	#.3	72610-SWA-A01	\$51.28
	L	#.3	72650-SWA-A01	\$51.28
 #w/Trim Panel Removed				
2 Fastener, Latch	R		72111-SEN-H01	\$2.37
	L		72139-SR3-003	\$4.58

††Included w/Door Latch Assy

2010 Honda CR-V EX-L Utility

3	Cover, Latch		R		72112-SWA-A01	\$1.68
			L		72152-SWA-A01	\$1.03
	Seal, Door Latch					
4	No. 1, (2/Side)		R		72114-SWA-A01	\$3.68
			L		72114-SWA-A01	\$3.68
5	No. 2		R		72615-SWA-A01	\$3.68
			L		72615-SWA-A01	\$3.68
6	No. 3		R		72113-SWA-A01	\$3.73
			L		72113-SWA-A01	\$3.73
7	Cap, Lock		R		72612-SNA-A00	\$1.32
			L		72652-SNA-A00	\$1.32
8	Striker, Latch		R	.2	72135-SDA-A01	\$5.88
			L	.2	72135-SDA-A01	\$5.88
9	Handle Assy, Outside					
	EX, LX Model		R	#.4	72140-SWA-A01	\$22.87
			L	#.4	72180-SWA-A01	\$22.87
	EX-L Model					
	Alabaster Silver, (Code NH700M)	09-1	R	#.4	72140-SWA-A11ZQ	\$41.62
			L	#.4	72180-SWA-T11ZQ	\$41.62
	Glacier Blue, (Code B538M)		R	#.4	72140-SWA-A11ZB	\$41.62
			L	#.4	72180-SWA-T11ZB	\$41.62
	Borrego Beige, (Code YR566M)		R	#.4	72140-SWA-A11ZH	\$41.62
			L	#.4	72180-SWA-T11ZH	\$41.62
	Crystal Black, (Code NH731P)	09-1	R	#.4	72140-SWA-A11YA	\$41.62
			L	#.4	72180-SWA-T11YD	\$41.62
	Green Tea, (Code G526M)		R	#.4	72140-SWA-A11ZD	\$41.62
			L	#.4	72180-SWA-T11ZD	\$41.62
	Nighthawk Black, (Code B92P)	07-0	R	#.4	72140-SWA-A11ZC	\$41.62
			L	#.4	72180-SWA-T11ZC	\$41.62
	Opal Sage, (Code G532M)	10	R	#.4	72140-SWA-A11YB	\$25.13
			L	#.4	72180-SWA-T11YE	\$25.13
	Polished Metal, (Code NH737M)	10	R	#.4	72140-SWA-A11ZU	\$25.13
			L	#.4	72180-SWA-T11ZX	\$25.13
	Royal Blue, (Code B536P)		R	#.4	72140-SWA-A11ZA	\$41.62
			L	#.4	72180-SWA-T11ZA	\$41.62

2010 Honda CR-V EX-L Utility

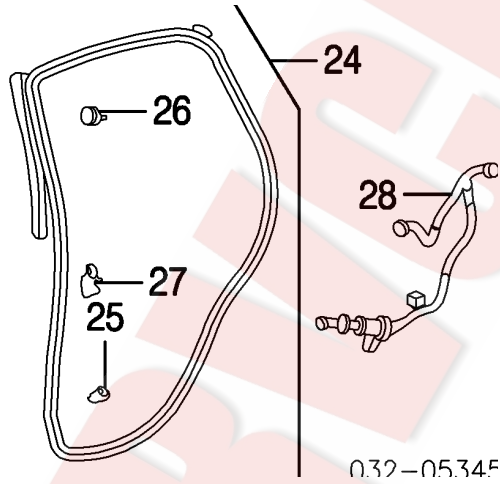
Tafetta White, (Code NH578)	R	#.4	72140-SWA-A11ZE	\$41.62
	L	#.4	72180-SWA-T11ZE	\$41.62
Tango Red, (Code R525P)	R	#.4	72140-SWA-A11ZG	\$41.62
	L	#.4	72180-SWA-T11ZG	\$41.62
Urban Titanium, (Code YR578M)	09-1 R	#.4	72140-SWA-A11ZX	\$41.62
	L	#.4	72180-SWA-T11YB	\$41.62
Whistler Silver, (Code NH711M)	07-0 R	#.4	72140-SWA-A11ZF	\$41.62
	L	#.4	72180-SWA-T11ZF	\$41.62
#w/Trim Panel Removed				
10 Bushing, Joint (b)	R		72141-SD4-004	\$2.86
	L		72181-SD4-004	\$2.86
11 Gasket, Mount (b)	R		72143-S04-003	\$2.53
	L		72143-S04-003	\$2.53
(b) Included w/Outside Handle Assy				
12 Protector, Outside Handle	R		72130-SWA-A01	\$12.42
	L		72170-SWA-A01	\$3.80
13 Spacer, Handle	R		72146-S9A-003	\$3.38
	L		72146-S9A-003	\$3.38
14 Cable, Latch	R		72633-SWA-A01	\$2.28
	L		72633-SWA-A01	\$2.28
15 Cable, Inside Handle	R		72631-SWA-A01	\$2.52
	L		72671-SWA-A01	\$2.52
16 Handle Assy, Inside				
Japan Built	R	#.2	72120-SWA-A01ZA	\$47.05
	L	#.2	72160-SWA-A01ZA	\$47.05
USA Built	R	#.2	72120-SWA-A02ZA	\$36.00
	L	#.2	72160-SWA-A02ZA	\$36.00
Mexico Built	08-1 R	#.2	72120-SWA-A01ZA	\$47.05
	L	#.2	72160-SWA-A01ZA	\$47.05
#w/Trim Panel Removed				
17 Clip, Cable (2/Side) (c)	R		72134-SHJ-003	\$2.23
	L		72174-SHJ-003	\$2.23
18 Snap, Handle (c)				
Japan Built	R		72149-SAA-003	\$1.62
	L		72189-SAA-003	\$1.62
USA Built	R		72149-SWA-E00	\$6.35
	L		72189-SWA-E00	\$6.35
Mexico Built	08-1 R		72149-SAA-003	\$1.62
	L		72189-SAA-003	\$1.62

2010 Honda CR-V EX-L Utility

(c) Included w/Inside Handle Assy

19	Fastener, Cable	R		74387-S3C-003	\$2.92
		L		74387-S3C-003	\$2.92
20	Cap, Inside Handle				
	Japan Built	R		72121-SWA-A01ZA	\$3.78
		L		72161-SWA-A01ZA	\$3.78
	USA Built	R		72121-SWA-A02ZA	\$6.33
		L		72161-SWA-A02ZA	\$6.33
	Mexico Built	08-1 R		72121-SWA-A01ZA	\$3.78
		L		72161-SWA-A01ZA	\$3.78
21	Hinge, Upper	R	#.2	67910-SWA-003ZZ	\$22.03
		L	#.2	67950-SWA-003ZZ	\$22.03
22	Hinge, Lower	R	#.2	67920-SWA-003ZZ	\$22.03
		L	#.2	67960-SWA-003ZZ	\$22.03
	#w/Door Removed				
23	Check, Door	R	#.2	72840-SWA-A01	\$31.93
		L	#.2	72880-SWA-A01	\$31.93

#w/Trim Panel Removed

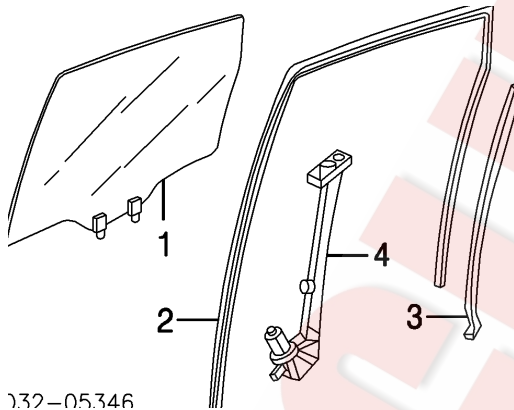


24	Weatherstrip Assy, Door Opening (On Door)				
	Japan Built	R	.5	72810-SWA-A01	\$62.68
		L	.5	72850-SWA-A01	\$30.03
	USA Built	R	.5	72810-SXS-A01	\$31.27
		L	.5	72850-SXS-A01	\$31.27
	Mexico Built	08-1 R	.5	72810-SXS-A01	\$31.27
		L	.5	72850-SXS-A01	\$31.27
25	Clip, No. 1 W/Strip (d)	R		90651-S4N-003	\$1.83
		L		90651-S4N-003	\$1.83

2010 Honda CR-V EX-L Utility

26 Clip, No. 2 W/Strip (2/Side) (d)	R	91568-SJA-003	\$1.78
	L	91568-SJA-003	\$1.78
27 Fastener, W/Strip (2/Side) (d)	R	91563-SFA-003	\$1.33
	L	91563-SFA-003	\$1.33
(d) Included w/Door Opening Weatherstrip Assy			
28 Harness, Door	R	32753-SWA-000	\$25.10
	L	32754-SWA-000	\$25.10

GLASS & PARTS



1.37-05.346

1 Glass, Rear Door

Honda

Japan Built

w/Privacy

R 1.2 73400-SWA-J00 \$156.60

L 1.2 73450-SWA-J00 \$156.60

w/o Privacy

R 1.2 73400-SWA-A00 \$156.60

L 1.2 73450-SWA-A00 \$156.60

USA Built

w/Privacy

R 1.2 73400-SXS-A10 \$156.60

L 1.2 73450-SXS-A10 \$156.60

w/o Privacy

R 1.2 73400-SXS-A00 \$156.60

L 1.2 73450-SXS-A00 \$156.60

Mexico Built

w/Privacy

08-1 R 1.2 73400-SWJ-F00 \$156.60

L 1.2 73450-SWJ-F00 \$156.60

w/o Privacy

08-1 R 1.2 73400-SWE-Z10 \$156.60

L 1.2 73450-SWE-Z10 \$156.60

NAGS

w/o Privacy

R 1.2 FD23273GTY \$282.95

L 1.2 FD23274GTY \$282.95

w/Privacy

R 1.2 FD23273YPY \$310.20

2010 Honda CR-V EX-L Utility

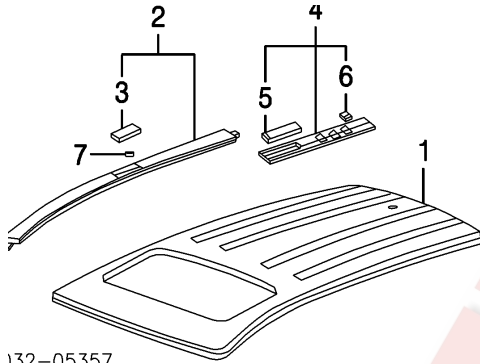
	L	1.2	FD23274YPY	\$310.20
2 Channel, Run	R	#.2	72735-SWA-A01	\$30.70
	L	#.2	72775-SWA-A01	\$52.22
#w/Glass Removed				
3 Sash, Glass Rear	R		72731-SWA-A01	\$12.93
	L		72771-SWA-A01	\$12.93
4 Regulator, Power	07-0 R	#1.3	72710-SWA-A01	\$301.48
	L	#1.3	72750-SWA-A02	\$301.48
	10 R	#1.3	72710-SWA-A02	\$301.48
	L	#1.3	72750-SWA-A02	\$301.48

#w/Glass Removed Deduct 1.0

ROOF

Procedures 17 and 28

SHEET METAL/EXTERIOR TRIM



132-05357

Refinish Roof Outside				3.6
R&I Front Roof Mldg	R	#.2		
	L	#.2		
R&I Rear Roof Mldg	R	#.2		
	L	#.2		
#R&I Front & Rear		.3		
R&I Luggage Carrier Kit		.3		
R&I Bicycle Carrier Kit		.3		
R&I Hard Shell Carrier Kit		.3		
R&I Kayak Carrier Kit		.3		
R&I Ski Carrier Kit		.3		
R&I Surfboard Carrier Kit		.3		
Add to R&R Roof Panel				
w/Antenna		.3		
w/Overhead Console		.3		
Add to R&I/R&R Side Curtain Air Bags				1.6
1 Panel, Roof				
w/Sunroof		#19.5	62100-SWA-A00ZZ	\$676.23
w/o Sunroof				
Japan Built		#18.0	62100-SWA-A10ZZ	\$676.23
USA Built		#18.0	62100-SXS-A10ZZ	\$703.63
Mexico Built	08-1	#18.0	62100-SXS-A10ZZ	\$703.63
#Does Not Include R&R Quarter Glass				
2 Moulding Assy, Front	R	#.2	75230-SWA-003	\$112.02
	L	#.2	75240-SWA-003	\$112.02
#R&R Front & Rear		.3		
3 Cap, Front Moulding	R		75232-SWA-003	\$6.47
	L		75242-SWA-003	\$6.47

2010 Honda CR-V EX-L Utility

¶Included w/Front Moulding Assy

4 Moulding Assy, Rear	R	#.2	75235-SWA-003	\$56.20
	L	#.2	75245-SWA-003	\$56.20
#R&R Front & Rear .3				
Cap, Rear Moulding (a)				
5 Front	R		75233-SWA-003	\$11.60
	L		75243-SWA-003	\$11.60
6 Rear	R		75234-SWA-003	\$4.63
	L		75244-SWA-003	\$4.63

(a) Included w/Rear Moulding Assy

7 Nut, Moulding (b)	R		90301-SV7-000	\$2.68
	L		90301-SV7-000	\$2.68

(b) As Required

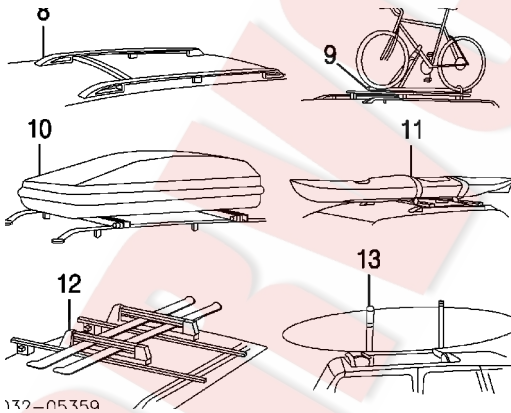
Antenna, Radio

EX, LX Model	#.3	39151-SWA-305	\$25.72
EX-L Model	#.3	39151-SWA-306	\$16.34

Base, Antenna

EX, LX Model	#.3	39152-SWA-A03	\$40.20
EX-L Model	#.3	39152-SWA-A13	\$152.56

#R&R Complete, w/Headliner Removed

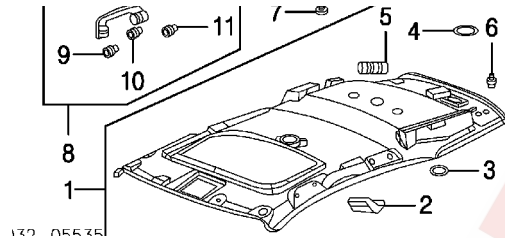


8 Rack Kit, Roof-See Roof Luggage Rack Section				
9 Carrier Kit, Bicycle				
Dealer Installed	07-0	.3	08L07-TA1-102	\$186.94
	10	.3	08L07-E09-100	\$186.94
10 Carrier Kit, Hard Shell				
Dealer Installed		.3	08L20-TA1-100	\$384.92
11 Carrier Kit, Kayak				
Dealer Installed		.3	08L09-TA1-100	\$173.87

2010 Honda CR-V EX-L Utility

12 Carrier Kit, Ski				
Dealer Installed	07-0	.3	08L03-TA1-100B	\$142.72
	10	.3	08L03-E09-100	\$139.70
13 Carrier Kit, Surfboard				
Dealer Installed		.3	08L05-TA1-100	\$77.39

INTERIOR TRIM



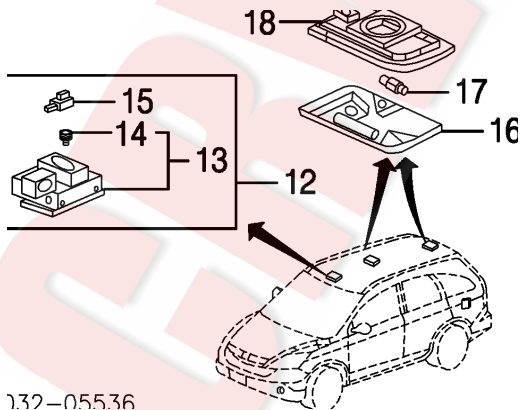
R&I Headliner				
w/Sunroof		2.2		
w/o Sunroof		2.0		
Add to R&I/R&R Headliner				
w/Overhead Console		.3		
1 Headliner Assy				
w/Sunroof				
Japan Built				
Gray	07-0	2.2	83200-SWA-A51ZB	\$374.40
	10	2.2	83200-SWA-A52ZB	\$380.07
Ivory	07-0	2.2	83200-SWA-A52ZC	\$380.07
	10	2.2	83200-SWA-A52ZC	\$380.07
Quartz	07-0	2.2	83200-SWA-A52ZA	\$380.07
	10	2.2	83200-SWA-A52ZA	\$380.07
USA Built				
Gray		2.2	83200-SXS-A51ZB	\$349.15
Ivory		2.2	83200-SXS-A51ZC	\$349.15
Quartz		2.2	83200-SXS-A51ZA	\$349.15
Mexico Built				
Gray	08-1	2.2	83200-SXS-A51ZB	\$349.15
Ivory	08-1	2.2	83200-SXS-A51ZC	\$349.15
Quartz	08-1	2.2	83200-SXS-A51ZA	\$349.15
w/o Sunroof				
Japan Built				
Gray	07-0	2.0	83200-SWA-A01ZB	\$300.55
	10	2.0	83200-SWA-A02ZB	\$300.55
Ivory	07-0	2.0	83200-SWA-A01ZC	\$303.35
	10	2.0	83200-SWA-A02ZC	\$300.55
Quartz	07-0	2.0	83200-SWA-A02ZA	\$300.55
	20	2.0	83200-SWA-A02ZA	\$300.55
USA Built				
Gray	07-0	2.0	83200-SXS-A01ZB	\$316.05

2010 Honda CR-V EX-L Utility

	10	2.0	83200-SXS-A02ZB	\$316.05
Ivory	07-0	2.0	83200-SXS-A01ZC	\$315.82
	10	2.0	83200-SXS-A02ZC	\$315.82
Quartz		2.0	83200-SXS-A02ZA	\$315.82
Mexico Built				
Gray	08-0	2.0	83200-SXS-A01ZB	\$316.05
	10	2.0	83200-SXS-A02ZB	\$316.05
Ivory	08-0	2.0	83200-SXS-A01ZC	\$315.82
	10	2.0	83200-SXS-A02ZC	\$315.82
Quartz	08-1	2.0	83200-SXS-A02ZA	\$315.82
2 Cover, Headliner¶¶				
Japan Built				
Gray			83265-SWA-A01ZB	\$11.77
Ivory			83265-SWA-A01ZC	\$11.77
Quartz			83265-SWA-A01ZA	\$11.77
USA Built				
Gray			83265-SXS-A01ZB	\$6.93
Ivory			83265-SXS-A01ZC	\$6.93
Quartz			83265-SXS-A01ZA	\$6.93
Mexico Built				
Gray	08-10		83265-SXS-A01ZB	\$6.93
Ivory	08-10		83265-SXS-A01ZC	\$6.93
Quartz	08-10		83265-SXS-A01ZA	\$6.93
3 Cap, Headliner¶¶				
Japan Built				
Gray			83222-SWA-A01ZB	\$3.93
Ivory			83222-SWA-A01ZC	\$3.93
Quartz			83222-SWA-A01ZA	\$3.93
USA Built				
Gray			83222-SXS-A01ZB	\$3.03
Ivory			83222-SXS-A01ZC	\$3.03
Quartz			83222-SXS-A01ZA	\$3.03
Mexico Built				
Gray	08-10		83222-SXS-A01ZB	\$3.03
Ivory	08-10		83222-SXS-A01ZC	\$3.03
Quartz	08-10		83222-SXS-A01ZA	\$3.03
4 Bracket, Cover Mtg¶¶				
Japan Built				
Gray	07-09		83267-SWA-A01ZB	\$4.33
Ivory	07-09		83267-SWA-A01ZC	\$4.33
Quartz	07-09		83267-SWA-A01ZA	\$4.33
USA Built				
Gray	07-09		83267-SXS-A01ZB	\$5.27
Ivory	07-09		83267-SXS-A01ZC	\$5.27
Quartz	07-09		83267-SXS-A01ZA	\$5.27
Mexico Built				

2010 Honda CR-V EX-L Utility

Gray	08-09	83267-SXS-A01ZB	\$5.27
Ivory	08-09	83267-SXS-A01ZC	\$5.27
Quartz	08-09	83267-SXS-A01ZA	\$5.27
5 Cover, Bracket¶			
Japan Built		83266-SWA-A01	\$9.83
USA Built		83266-SXS-A01	\$4.80
6 Clip, Headliner (a)¶		91560-SLJ-J01	\$0.28
¶Included w/Headliner Assy			
(a) As Required			
7 Fastener, Headliner (2)		90662-SWA-003	\$3.28
8 Handle Assy, Assist (3)			
Gray	#.1	83240-SNA-A01ZJ	\$9.95
Ivory	#.1	83240-SNA-A01ZB	\$9.95
Quartz	#.1	83240-SNA-A01ZH	\$9.95
#Included in R&I/R&R Headliner			
Cap, Assist Handle (3) (a)			
9 Front			
Gray		83245-SNA-A01ZJ	\$3.30
Ivory		83245-SNA-A01ZB	\$3.27
Quartz		83245-SNA-A01ZH	\$3.30
10 Rear			
Gray		83246-SNA-A01ZJ	\$3.30
Ivory		83246-SNA-A01ZB	\$3.27
Quartz		83246-SNA-A01ZH	\$3.30
11 Clip, Assist Handle (3) (a)		83247-SNA-A01	\$1.84
(a) Included w/Assist Handle Assy			



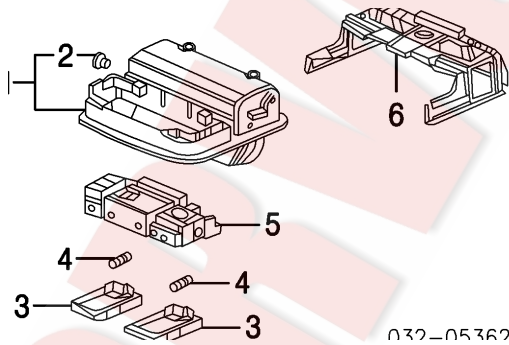
1.37-05536

12 Lamp Assy, Map			
Gray	07 #.2	35830-SWA-A61ZB	\$149.77
	08-1 #.2	35830-SNA-A31ZE	\$137.18
Ivory	07 #.2	35830-SWA-A61ZC	\$153.48

2010 Honda CR-V EX-L Utility

Quartz	08-1 #.2	35830-SNA-A31ZC	\$137.18
	07 #.2	35830-SWA-A61ZA	\$149.77
	08-1 #.2	35830-SNA-A31ZD	\$137.18
13 Switch Assy, Sunroof (b)			
Gray	07 #.2	35830-SWA-A52ZB	\$58.95
	08-1 #.2	35830-TA0-A01ZF	\$27.57
Ivory	07 #.2	35830-SWA-A52ZC	\$58.95
	08-1 #.2	35830-TA0-A01ZB	\$27.57
Quartz	07 #.2	35830-SWA-A51ZA	\$63.08
	08-1 #.2	35830-TA0-A01ZE	\$27.57
#R&R Complete			
14 Bulb, Map Lamp (b) (c)	.1	35831-SMA-003	\$4.57
(c) Included w/Sunroof Switch Assy			
15 Microphone, Navigation (b)		39182-SMA-003	\$110.52
(b) Included w/Map Lamp Assy			
16 Lens, Room Lamp (2)		34253-S5A-305	\$4.60
17 Housing, Room Lamp (2)			
Gray	#.2	34252-S5A-003ZS	\$25.80
Ivory	#.2	34252-S5A-003ZP	\$26.47
Quartz	#.2	34252-S5A-003ZR	\$26.88
18 Bulb, Room Lamp (2)	#.2	04110-SWA-305	\$3.65
#R&R Complete			

OVERHEAD CONSOLE



R&I Overhead Console

1 Console Assy, Overhead			.3
Gray	.3	83250-SLJ-J02ZD	\$76.98
Ivory	.3	83250-SLJ-J02ZE	\$76.98
Quartz	.3	83250-SLJ-J03ZC	\$76.98
2 Bushing, Console†		83251-SDC-A01	\$5.08

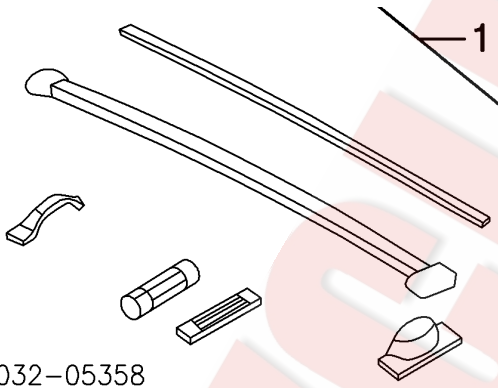
†Included w/Overhead Console Assy

3 Lens, Overhead Console	R	.1	34407-SDA-305	\$3.15
	L	.1	34408-SDA-305	\$3.15

2010 Honda CR-V EX-L Utility

4 Bulb	R	.1	04110-SWA-305	\$3.65
	L	.1	04110-SWA-305	\$3.65
5 Base, Console				
Japan Built			34404-SDA-A22	\$64.52
USA Built	07-08		34404-SDA-A21	\$46.38
	09-10		34404-SDA-A22	\$64.52
Mexico Built	08		34404-SDA-A21	\$46.38
	09-10		34404-SDA-A22	\$64.52
6 Bracket, Console				
Japan Built			83201-SDC-A00ZZ	\$10.58
USA Built			83201-SXS-A00	\$4.88
Mexico Built	08-10		83201-SXS-A00	\$4.88

**ROOF LUGGAGE RACK
DEALER INSTALLED**



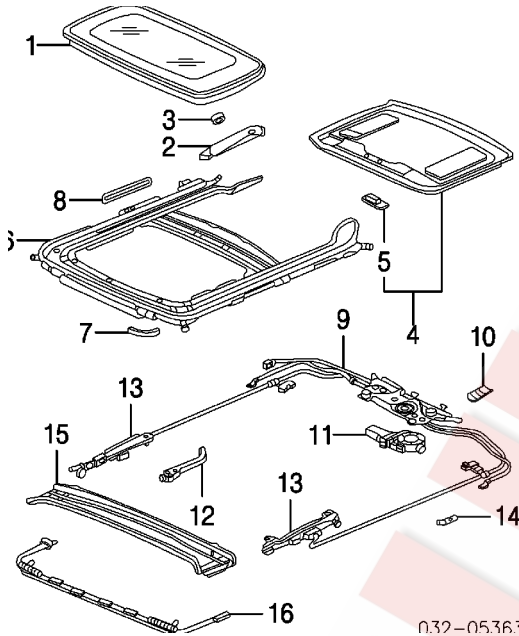
032-05358

R&I Roof Rack

1 Rack Kit, Roof		.3		
Dealer Installed		.3	08L02-SWA-102	\$296.47

2010 Honda CR-V EX-L Utility

SUNROOF



R&I Sunroof Glass	.8
R&I Sunroof Assy	#1.5
O/H Sunroof Assy (Includes R&I)	#2.7
#w/Headliner Removed	
R&I Air Deflector	.3

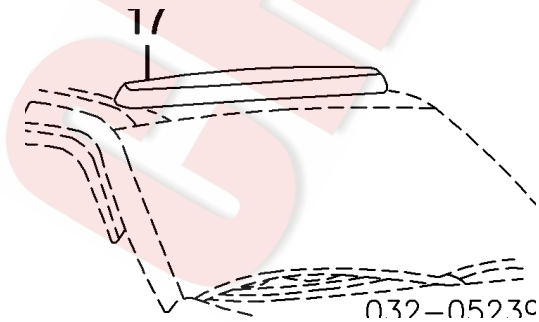
NOTE: All Parts in this section are included in overhaul unless noted otherwise.

1 Glass, Sunroof			
Japan Built	.8	70200-SWA-J01	\$849.22
USA Built	.8	70200-SXS-A01	\$513.17
Mexico Built	08-1	.8 70200-SXS-A01	\$513.17
2 Cover, Glass Stay	R	70630-SWA-J01	\$6.50
	L	70635-SWA-J01	\$6.50
3 Cap, Stay Cover	R	70623-SM4-003	\$2.27
	L	70623-SM4-003	\$2.27
4 Sunshade Assy			
Gray	1.3	70600-SWA-J01ZB	\$204.75
Ivory	1.3	70600-SWA-J01ZC	\$204.75
Quartz	1.3	70600-SWA-J01ZA	\$204.75
5 Handle, Sunshade			
Gray		70611-S5A-J01ZW	\$3.23
Ivory		70611-S5A-J01ZU	\$3.30
Quartz		70611-S5A-J01ZV	\$3.23

2010 Honda CR-V EX-L Utility

¶ Included w/Sunshade Assy

6	Frame, Sunroof				
	Japan Built	07	#2.7	70100-SWA-A02	\$261.57
		08-1	#2.7	70100-SWA-A02	\$261.57
	USA Built	07	#2.7	70100-SXS-A01	\$294.62
		08-1	#2.7	70100-SXS-A02	\$294.62
	Mexico Built	08-1	#2.7	70100-SXS-A02	\$294.62
	#w/Headliner Removed				
	Tube, Drain				
	Front	R		70050-SWA-A01	\$8.05
		L		70050-SWA-A01	\$8.05
	Rear	R		70060-SWA-A00	\$8.33
		L		70060-SWA-A00	\$8.33
7	Seal, Front Frame	R		70081-SDA-A01	\$5.02
		L		70081-SDA-A01	\$5.02
8	Seal, Rear Frame	R		70082-SDA-A01	\$5.02
		L		70082-SDA-A01	\$5.02
9	Cable, Drive				
	Japan Built		#2.7	70400-SWA-J01	\$148.62
	USA Built		#2.7	70400-SXS-A01	\$132.67
	Mexico Built	08-1	#2.7	70400-SXS-A01	\$132.67
	#w/Headliner Removed				
10	Bracket, Cable	R		70142-S5A-J01	\$4.30
		L		70147-S5A-J01	\$4.30
11	Motor, Sunroof			70450-SWA-J01	\$216.75
12	Channel, Guide	R		70260-SDA-A01	\$10.32
		L		70265-SDA-A01	\$7.78
13	Link, Sunroof	R		70300-SDA-A01	\$102.00
		L		70305-SDA-A01	\$102.00
14	Stopper, Guide	R		70382-SWA-J01	\$10.40
		L		70387-SWA-J01	\$10.40
15	Channel, Drain			70240-SEA-J11	\$37.15
16	Deflector, Air			70500-SWA-J01	\$52.02



17	Deflector Kit				
	Dealer Installed		#.3	08R01-SWA-101	\$152.77

2010 Honda CR-V EX-L Utility

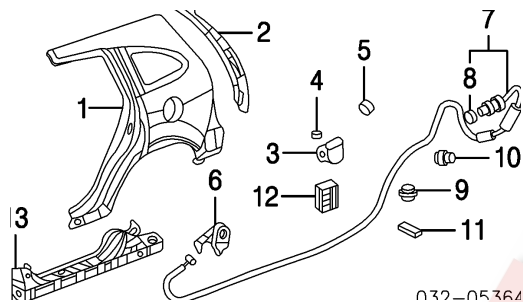
#Not Included in O/H

CRVCLUB.RU

QUARTER PANEL

Procedures 20 and 28

SHEET METAL



Refinish Quarter Panel Outside	R	2.4
	L	2.4
Add for Inside	R	.8
	L	.8
Add to Edge Pillar	R	.5
	L	.5
Add for Pillar	R	.5
	L	.5
Refinish Rear Pillar	R	#.5
	L	#.5
#Included in Refinish Quarter Panel		
Refinish Fuel Door	L	#.5
#Included in Refinish Left Quarter Panel		
Add for Inside		.2
R&R Both Quarter Panels		31.9
R&R Roof & Both Quarter Panels		
w/Sunroof		44.8
w/o Sunroof		43.8
Add to R&R Roof & Both Quarter Panels		
w/Antenna		.3
w/Overhead Console		.3
Add to R&R Quarter Panel		
To R&I Quarter Glass	R	.2
	L	.2
Add to R&I/R&R Side Curtain Air Bag	R	#.8
	L	#.8

2010 Honda CR-V EX-L Utility

#w/Headliner Removed

Add to R&I/R&R Side Impact Sensor

	R	.4		
	L	.4		
1 Panel, Outer Quarter	R	#16.5	04636-SYE-A90ZZ	\$748.97
	L	#17.0	04646-SWA-A90ZZ	\$748.97

#w/Roof Removed Deduct 2.3, Deduction Includes Common Surfaces & Included Operations

Striker, Latch-See Rear Door Section

2 Pillar, Rear	R	#3.5	63320-SWA-A00ZZ	\$91.98
	L	#3.5	63720-SWA-A00ZZ	\$91.98

#Deduct .5 w/Rear Panel Removed

3 Door, Fuel Filler	L	.3	63910-SWA-A00ZZ	\$22.25
4 Cushion, Fuel Door (2)	L		70495-692-000	\$2.78
5 Spring, Fuel Door	L		74421-S3N-000	\$3.67
6 Opener, Fuel Door				
Black			74882-SHJ-A01ZF	\$6.93
Gray			74882-SHJ-A01ZE	\$6.93
Ivory			74882-SHJ-A01ZG	\$6.93
7 Cable Assy, Fuel Door			74411-SWA-A01	\$12.32
8 Seal, Fuel Door Opener¶			73219-693-951	\$2.53

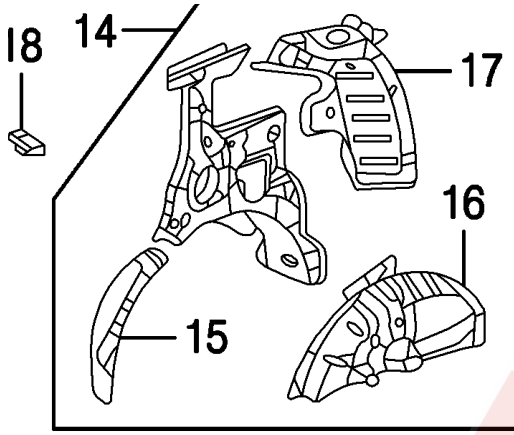
¶Included w/Fuel Door Cable Assy

9 Clip, Front Cable (6)			90684-SD4-003	\$3.63
10 Clip, Rear Cable			91558-SE3-003	\$4.53
11 Cushion, Cable				
Japan Built			91902-SB2-003	\$4.08
USA Built			91902-S2X-003	\$1.98
Mexico Built	08-10		91902-S2X-003	\$1.98
12 Outlet, Air	L	#.2	75450-SMA-003	\$16.92

#w/Bumper Removed

13 Panel, Rocker Outer-See Rocker/Pillars/Floor Section

2010 Honda CR-V EX-L Utility

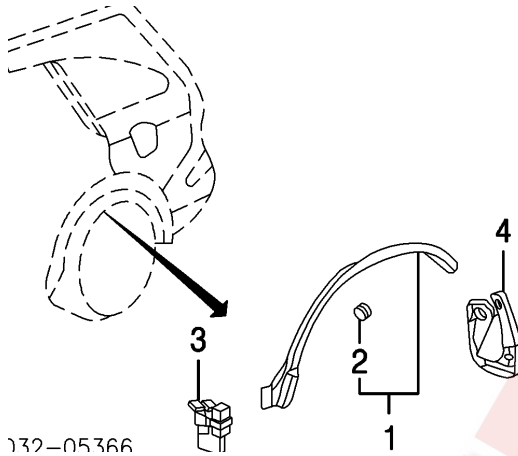


732-05365

14 Panel Assy, Inner Quarter	R	6.5	64300-SWA-305ZZ	\$559.18
	L	6.5	64700-SWA-305ZZ	\$574.00
15 Extension, Wheelhouse (a)	R	3.0	64320-SWA-305ZZ	\$54.52
	L	3.0	64720-SWA-305ZZ	\$54.52
16 Wheelhouse (a)	R	2.5	64330-SWA-A00ZZ	\$192.32
	L	2.5	64730-SWA-A00ZZ	\$207.08
USA Built	R	2.5	64330-SXS-A00ZZ	\$98.42
	L	2.5	64730-SXS-A00ZZ	\$103.00
Mexico Built	08-1 R	2.5	64330-SXS-A00ZZ	\$98.42
	L	2.5	64730-SXS-A00ZZ	\$103.00
17 Pillar, Inner Rear (a)	R	2.0	64340-SXS-A00ZZ	\$99.25
	L	2.0	64740-SXS-A00ZZ	\$137.08
USA Built	R	2.0	64340-SXS-A00ZZ	\$99.25
	L	2.0	64740-SXS-A00ZZ	\$137.08
Mexico Built	08-1 R	2.0	64340-SXS-A00ZZ	\$99.25
	L	2.0	64740-SXS-A00ZZ	\$137.08
(a) Included w/Inner Quarter Panel Assy				
18 Bracket, Wheelhouse	R	.5	64322-SWA-A01	\$5.30
	L	.5	64322-SWA-A01	\$5.30

EXTERIOR TRIM

2010 Honda CR-V EX-L Utility



132-05366

R&I Wheel Opening Moulding

R .2

L .2

R&I Mudguard

R .2

L .2

1 Moulding Assy, Wheel Opening

Japan Built

R .2 74410-SXS-A00 \$41.30

L .2 74450-SXS-A00 \$41.30

USA Built

R .2 74410-SXS-A00 \$41.30

L .2 74450-SXS-A00 \$41.30

Mexico Built

08-1 R .2 74410-SWW-G01 \$146.38

L .2 74450-SWW-G01 \$146.38

2 Clip, Moulding (3/Side)¶

R 91513-SMG-E01 \$2.00

L 91513-SMG-E01 \$2.00

¶Included w/Wheel Opening Moulding Assy

3 Shield, Splash

R .2 74475-SWA-A00 \$3.97

L .2 74485-SWA-A00 \$3.97

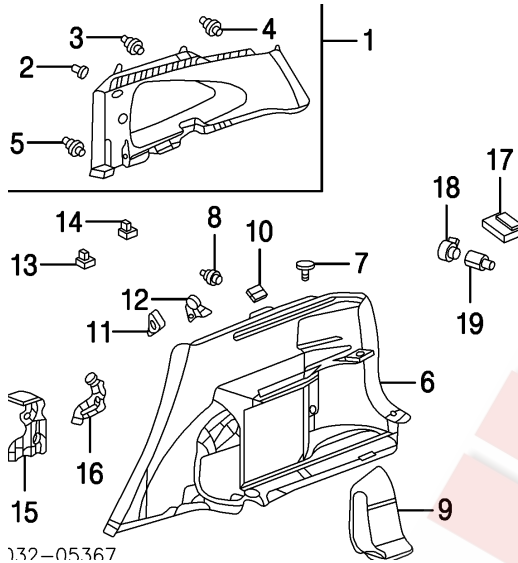
4 Mudguard, Rear

R .2 75820-SWA-003 \$32.62

L .2 75830-SWA-003 \$32.62

INTERIOR TRIM

2010 Honda CR-V EX-L Utility



132-05367

1 Trim Assy, Upper

Japan Built

Gray

07-0 R #.8 84131-SWA-A81ZB \$57.08

L #.8 84181-SWA-A82ZB \$39.73

10 R #.8 84131-SWA-A82ZB \$97.42

L #.8 84181-SWA-A82ZB \$39.73

Ivory

07-0 R #.8 84131-SWA-A81ZC \$57.08

L #.8 84181-SWA-A81ZC \$39.73

10 R #.8 84131-SWA-A82ZC \$97.42

L #.8 84181-SWA-A82ZC \$39.73

Quartz

07-0 R #.8 84131-SWA-A81ZA \$57.08

L #.8 84181-SWA-A82ZA \$39.73

10 R #.8 84131-SWA-A82ZA \$97.42

L #.8 84181-SWA-A82ZA \$39.73

USA Built

Gray

07-0 R #.8 84131-SXS-A01ZB \$61.50

L #.8 84181-SWA-A82ZB \$39.73

10 R #.8 84131-SXS-A01ZB \$61.50

L #.8 84181-SWA-A82ZB \$39.73

Ivory

07-0 R #.8 84131-SXS-A01ZC \$58.60

L #.8 84181-SWA-A81ZC \$39.73

10 R #.8 84131-SXS-A01ZC \$58.60

L #.8 84181-SWA-A82ZC \$39.73

Quartz

07-0 R #.8 84131-SXS-A01ZA \$61.50

L #.8 84181-SWA-A82ZA \$39.73

10 R #.8 84131-SXS-A01ZA \$61.50

L #.8 84181-SWA-A82ZA \$39.73

Mexico Built

Gray

08-0 R #.8 84131-SXS-A01ZB \$61.50

2010 Honda CR-V EX-L Utility

	L	#.8	84181-SWA-A82ZB	\$39.73
	10 R	#.8	84131-SXS-A01ZB	\$61.50
	L	#.8	84181-SWA-A82ZB	\$39.73
Ivory	08-0 R	#.8	84131-SXS-A01ZC	\$58.60
	L	#.8	84181-SWA-A81ZC	\$39.73
	10 R	#.8	84131-SXS-A01ZC	\$58.60
	L	#.8	84181-SWA-A82ZC	\$39.73
Quartz	08-0 R	#.8	84131-SXS-A01ZA	\$61.50
	L	#.8	84181-SWA-A82ZA	\$39.73
	10 R	#.8	84131-SXS-A01ZA	\$61.50
	L	#.8	84181-SWA-A82ZA	\$39.73
#Includes R&R Lower Trim				
2 Cap, Trim¶	R		84132-STK-A00	\$1.50
	L		84132-STK-A00	\$1.50
3 Clip, No. 1 Trim (2/Side)¶	R		91560-SLJ-J01	\$0.28
	L		91560-SLJ-J01	\$0.28
4 Clip, No. 2 Trim (5/Side)¶	R		91560-S84-A01	\$1.62
	L		91560-S84-A01	\$1.62
5 Clip, Trim¶	R		91560-SYA-J01	\$0.55
	L		91560-SYA-J01	\$0.55
¶Included w/Upper Trim Assy				
6 Trim, Lower				
Japan Built				
Black	07-0 R	#.6	84635-SXS-A21ZB	\$82.38
	L	#.6	84685-SXS-A22ZB	\$104.98
	10 R	#.6	84635-SWA-A02ZB	\$82.38
	L	#.6	84685-SWA-A02ZB	\$82.38
Gray	07-0 R	#.6	84635-SXS-A21ZA	\$90.23
	L	#.6	84685-SXS-A22ZA	\$104.98
	10 R	#.6	84635-SWA-A02ZA	\$82.38
	L	#.6	84685-SWA-A02ZA	\$82.38
Ivory	07-0 R	#.6	84635-SXS-A21ZC	\$90.23
	L	#.6	84685-SXS-A21ZC	\$104.98
	10 R	#.6	84635-SWA-A02ZC	\$82.38
	L	#.6	84685-SWA-A02ZC	\$82.38
USA Built				
Black	07-0 R	#.6	84635-SWA-A01ZB	\$82.38
	L	#.6	84685-SWA-A01ZB	\$82.38
	10 R	#.6	84635-SXS-A22ZB	\$82.38
	L	#.6	84685-SXS-A22ZB	\$104.98
Gray	07-0 R	#.6	84635-SWA-A02ZA	\$82.38
	L	#.6	84685-SWA-A02ZA	\$82.38
	10 R	#.6	84635-SXS-A22ZA	\$90.23
	L	#.6	84685-SXS-A22ZA	\$104.98
Ivory	07-0 R	#.6	84635-SWA-A02ZC	\$82.38

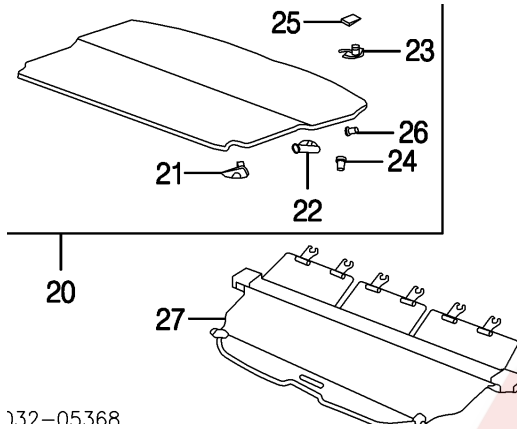
2010 Honda CR-V EX-L Utility

		L	#.6	84685-SWA-A01ZC	\$82.38
	10	R	#.6	84635-SXS-A22ZC	\$90.23
		L	#.6	84685-SXS-A22ZC	\$104.98
Mexico Built					
Black	08-0	R	#.6	84635-SXS-A21ZB	\$82.38
		L	#.6	84685-SXS-A22ZB	\$104.98
	10	R	#.6	84635-SWA-A02ZB	\$82.38
		L	#.6	84685-SWA-A02ZB	\$82.38
Gray	08-0	R	#.6	84635-SXS-A21ZA	\$90.23
		L	#.6	84685-SXS-A22ZA	\$104.98
	10	R	#.6	84635-SWA-A02ZA	\$82.38
		L	#.6	84685-SWA-A02ZA	\$82.38
Ivory	08-0	R	#.6	84635-SXS-A21ZC	\$90.23
		L	#.6	84685-SXS-A21ZC	\$104.98
	10	R	#.6	84635-SWA-A02ZC	\$82.38
		L	#.6	84685-SWA-A02ZC	\$82.38
#Includes R&R Rear Inner Scuff Plate, Included in R&R Rear Panel Assy					
Clip, Lower Trim					
7	No. 1				
	Black	R		91550-SWA-J01ZB	\$3.60
		L		91550-SWA-J01ZB	\$3.60
	Gray	R		91550-SWA-J01ZA	\$3.60
		L		91550-SWA-J01ZA	\$3.60
	Ivory	R		91550-SWA-J01ZC	\$3.60
		L		91550-SWA-J01ZC	\$3.60
8	No. 2 (a)	R		91560-SLJ-J01	\$0.28
		L		91560-SLJ-J01	\$0.28
(a) As Required					
9	Cover, Shock Housing				
	Black	R	#.1	84620-SWA-003ZB	\$6.25
		L	#.1	84670-SWA-003ZB	\$6.25
	Gray	R	#.1	84620-SWA-003ZA	\$6.25
		L	#.1	84670-SWA-003ZA	\$6.25
	Ivory	R	#.1	84620-SWA-003ZC	\$6.25
		L	#.1	84670-SWA-003ZC	\$6.25
#Included in R&R Lower Trim Panel					
10	Cap, Tonneau Cover				
	Black	R		84611-SWA-A01ZB	\$5.15
		L		84661-SWA-A01ZB	\$3.65
	Gray	R		84611-SWA-A01ZA	\$5.15
		L		84661-SWA-A01ZA	\$3.65
	Ivory	R		84611-SWA-A01ZC	\$5.15
		L		84661-SWA-A01ZC	\$3.65

2010 Honda CR-V EX-L Utility

11	Hook, Front			
	Black	R	84615-SWA-A01ZB	\$2.23
		L	84665-SWA-A01ZB	\$2.23
	Gray	R	84615-SWA-A01ZA	\$2.23
		L	84665-SWA-A01ZA	\$2.23
	Ivory	R	84615-SWA-A01ZC	\$2.23
		L	84665-SWA-A01ZC	\$2.23
12	Hook, Rear			
	Black	R	84616-SWA-A01ZB	\$2.23
		L	84666-SWA-A01ZB	\$2.23
	Gray	R	84616-SWA-A01ZA	\$2.23
		L	84666-SWA-A01ZA	\$2.23
	Ivory	R	84616-SWA-A01ZC	\$2.23
		L	84666-SWA-A01ZC	\$2.23
13	Latch, Front			
	Black	R	84631-SWA-003ZB	\$2.55
		L	84681-SWA-003ZB	\$2.55
	Gray	R	84631-SWA-003ZA	\$2.55
		L	84681-SWA-003ZA	\$2.55
	Ivory	R	84631-SWA-003ZC	\$2.55
		L	84681-SWA-003ZC	\$2.55
14	Latch			
	Black	R	84632-SWA-003ZB	\$3.07
		L	84682-SWA-003ZB	\$3.07
	Gray	R	84632-SWA-003ZA	\$3.07
		L	84682-SWA-003ZA	\$3.07
	Ivory	R	84632-SWA-003ZC	\$3.07
		L	84682-SWA-003ZC	\$3.07
	Reinforcement, Front			
15	EX, EX-L Model	R	84636-SWA-003	\$9.62
		L	84686-SWA-013	\$9.55
16	LX Model	R	84614-SWA-A01	\$8.25
		L	84664-SWA-A01	\$8.25
17	Holder, Pkg Tray Trim			
	Black	L	84667-SWA-A01ZB	\$3.72
	Gray	L	84667-SWA-A01ZA	\$3.72
	Ivory	L	84667-SWA-A01ZC	\$3.72
18	Cap, Socket		39620-SNA-003	\$5.97
19	Socket, Accessory (b)		39624-SZ3-L01	\$9.38
	(b) Order by Application			

2010 Honda CR-V EX-L Utility

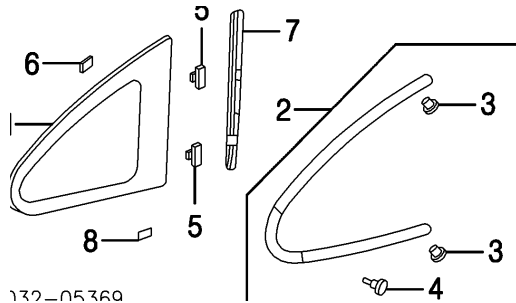


132-0536R

20	Tray Assy, Package			
	Black		84400-SWA-A01ZD	\$384.60
	Gray		84400-SWA-A01ZE	\$384.60
	Ivory		84400-SWA-A01ZF	\$384.60
	Lock, Tray (c)			
21	Front	R	84427-SWA-003ZD	\$2.73
		L	84477-SWA-003ZE	\$7.25
22	Center	R	84428-SWA-003ZD	\$3.05
		L	84478-SWA-003ZD	\$3.05
23	Rear	R	84429-SWA-003ZD	\$2.55
		L	84479-SWA-003ZD	\$2.55
	Striker, Latch (c)			
24	Center	R	84450-SWA-003ZD	\$1.82
		L	84450-SWA-003ZD	\$1.82
25	Rear	R	84451-SWA-003ZD	\$1.82
		L	84451-SWA-003ZD	\$1.82
26	Cover, Striker (c)	R	84426-SWA-003	\$4.73
		L	84426-SWA-003	\$4.73
	(c) Included w/Package Tray Assy			
27	Cover, Tonneau			
	Dealer Installed			
	Black		08Z07-SWA-110	\$271.36
	Gray		08Z07-SWA-131	\$271.36
	Ivory		08Z07-SWA-120	\$271.36

2010 Honda CR-V EX-L Utility

QUARTER GLASS



137-05369

R&I Quarter Glass

R #1.5
L #1.5

#Includes Clean Up Old Adhesive as Necessary

1 Glass, Quarter

Honda

Japan Built

w/Privacy

R #1.3 73511-SWA-003 \$146.40

L #1.3 73561-SWA-003 \$146.40

w/o Privacy

R #1.3 73511-SWA-A11 \$146.40

L #1.3 73561-SWA-A11 \$146.40

USA Built

w/Privacy

R #1.3 73511-SXS-A01 \$146.40

L #1.3 73561-SXS-A01 \$143.52

w/o Privacy

R #1.3 73511-SXS-A11 \$146.40

L #1.3 73561-SXS-A11 \$143.52

Mexico Built

w/Privacy

08-1 R #1.3 73511-SXS-A01 \$146.40

L #1.3 73561-SXS-A01 \$143.52

w/o Privacy

08-1 R #1.3 73511-SXS-A11 \$146.40

L #1.3 73561-SXS-A11 \$143.52

NAGS

w/Privacy

R #1.3 FQ23275YPY

L #1.3 FQ23276YPY

w/o Privacy

R #1.3 FQ23275GTY

L #1.3 FQ23276GTY

#Includes Clean Up Old Adhesive as Necessary

2 Moulding Assy, Glass¶

R 73510-SWA-003 \$73.97

L 73560-SWA-003 \$73.97

¶Non-Reusable Part

3 Clip, Glass Front (2/Side) (a)

R 91512-SWA-003 \$1.73

L 91512-SWA-003 \$1.73

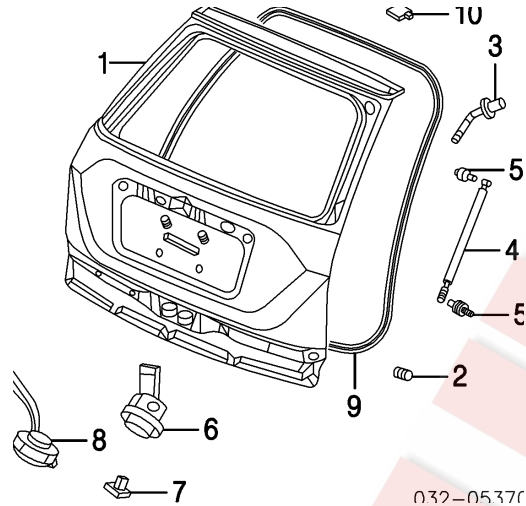
2010 Honda CR-V EX-L Utility

4 Clip, Glass Rear (a)	R	91513-SWA-003	\$1.82
	L	91513-SWA-003	\$1.82
(a) Included w/Glass Moulding Assy			
5 Clip, Glass Side	R	91502-SWA-003	\$3.28
	L	91502-SWA-003	\$3.28
6 Spacer, Glass	R	73525-SWA-000	\$2.28
	L	73525-SWA-000	\$2.28
7 Seal, Quarter Glass	R	73810-SWA-003	\$39.28
	L	73860-SWA-003	\$33.92
8 Label, "ULEV"-See Information Labels Section			

LIFTGATE

Procedures 25 and 28

SHEET METAL

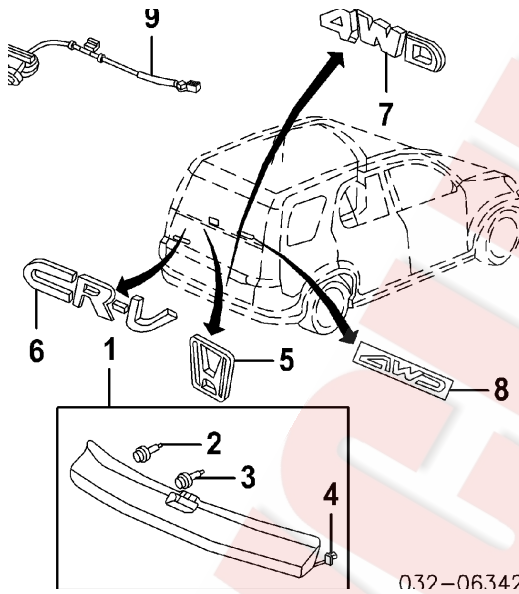


Refinish Liftgate Panel Outside			2.5		
Add for Inside			1.3		
Refinish Hinge	R		.5		
	L		.5		
R&I Liftgate Assy			.8		
Add to R&R Liftgate					
To Transfer Glass			.8		
Add to R&R Liftgate w/Rear View Camera			.2		
To Drill for & Install Spoiler			.6		
1 Panel, Liftgate					
w/Navigation System		#5.0		68100-SWA-A80ZZ	\$613.72
w/o Navigation System		#5.0		68100-SYE-A90ZZ	\$613.72
#Includes Transfer Wiper Components					
2 Stopper, Liftgate	R	.1		74827-SWA-A00	\$2.65
	L	.1		74827-SWA-A00	\$2.65
3 Hinge, Liftgate	R	#.2		68210-SWA-A01ZZ	\$40.27
	L	#.2		68260-SWA-A01ZZ	\$40.27
#w/Liftgate Assy Removed					
4 Strut, Liftgate Supt	R	.2		74820-SWA-A01	\$38.97
	L	.2		74870-SWA-A01	\$38.97
5 Ball, Stud (2/Side)	R			90109-SWA-A00	\$5.07
	L			90109-SWA-A00	\$5.07
6 Latch, Liftgate		#.2		74800-SMG-G01	\$67.88

2010 Honda CR-V EX-L Utility

7 Striker, Latch	.2	74813-SFE-003	\$3.57
8 Switch, Liftgate Lock	#.2	74810-SWA-A01	\$30.75
#w/Lower Trim Panel Removed			
9 Weatherstrip, Opening (On Liftgate)	.5	74440-SXS-A01	\$32.55
10 Garnish, Upper	R	74836-SWA-A00	\$7.37
	L	74886-SWA-A00	\$7.37

EXTERIOR TRIM



Refinish Rear Spoiler	1.2
Refinish Outer Finish Panel Assy	1.2
R&I Rear Spoiler	.5
R&I Outer Finish Panel Assy	#.3

#w/Lower Trim Panel Removed

1 Panel Assy, Outer Finish Japan Built			
Alabaster Silver, (Code NH700M)	09-1	#.3	74895-SWA-A01ZN \$214.65
Glacier Blue, (Code B538M)		#.3	74895-SWA-A01ZB \$221.90
Borrego Beige, (Code YR566M)	07-0	#.3	74895-SWA-A01ZH \$220.63
Crystal Black, (Code NH731P)	09-1	#.3	74895-SWA-A01ZS \$214.65

2010 Honda CR-V EX-L Utility

Green Tea, (Code G526M)	07-0 #.3	74895-SWA-A01ZD	\$221.90
Nighthawk Black, (Code B92P)	07-0 #.3	74895-SWA-A01ZC	\$221.90
Opal Sage, (Code G532M)	10 #.3	74895-SWA-A01ZU	\$224.43
Polished Metal, (Code NH737M)	10 #.3	74895-SWA-A01ZP	\$224.43
Royal Blue, (Code B536P)	#.3	74895-SWA-A01ZA	\$221.90
Tafetta White, (Code NH578)	#.3	74895-SWA-A01ZE	\$221.90
Tango Red, (Code R525P)	#.3	74895-SWA-A01ZG	\$221.90
Whistler Silver, (Code NH711M)	07-0 #.3	74895-SWA-A01ZF	\$221.90
USA Built			
Alabaster Silver, (Code NH700M)	09-1 #.3	74895-SXS-A01ZJ	\$173.58
Glacier Blue, (Code B538M)	#.3	74895-SXS-A01ZB	\$201.58
Borrego Beige, (Code YR566M)	07-0 #.3	74895-SXS-A01ZH	\$173.58
Crystal Black, (Code NH731P)	09-1 #.3	74895-SXS-A01ZM	\$173.58
Green Tea, (Code G526M)	07-0 #.3	74895-SXS-A01ZD	\$173.58
Nighthawk Black, (Code B92P)	07-0 #.3	74895-SXS-A01ZC	\$200.82
Opal Sage, (Code G532M)	10 #.3	74895-SXS-A01ZN	\$156.05
Polished Metal, (Code NH737M)	10 #.3	74895-SXS-A01ZP	\$156.05
Royal Blue, (Code B536P)	#.3	74895-SXS-A01ZA	\$201.35
Tafetta White, (Code NH578)	#.3	74895-SXS-A01ZE	\$203.28
Tango Red, (Code R525P)	#.3	74895-SXS-A01ZG	\$208.30
Urban Titanium, (Code YR578M)	09-1 #.3	74895-SXS-A01ZL	\$173.58
Whistler Silver, (Code NH711M)	07-0 #.3	74895-SXS-A01ZF	\$200.47

Mexico Built

2010 Honda CR-V EX-L Utility

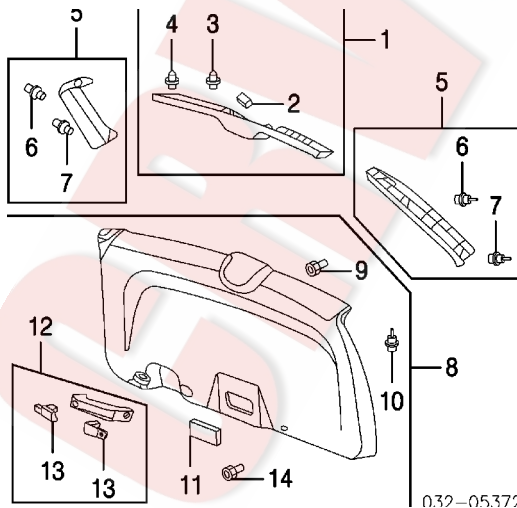
Alabaster Silver, (Code NH700M)	09-1 #.3	74895-SXS-A01ZJ	\$173.58
Glacier Blue, (Code B538M)	08-1 #.3	74895-SXS-A01ZB	\$201.58
Borrego Beige, (Code YR566M)	08-0 #.3	74895-SXS-A01ZH	\$173.58
Crystal Black, (Code NH731P)	09-1 #.3	74895-SXS-A01ZM	\$173.58
Green Tea, (Code G526M)	08-0 #.3	74895-SXS-A01ZD	\$173.58
Nighthawk Black, (Code B92P)	08 #.3	74895-SXS-A01ZC	\$200.82
Opal Sage, (Code G532M)	10 #.3	74895-SXS-A01ZN	\$156.05
Polished Metal, (Code NH737M)	10 #.3	74895-SXS-A01ZP	\$156.05
Royal Blue, (Code B536P)	08-1 #.3	74895-SXS-A01ZA	\$201.35
Tafetta White, (Code NH578)	08-1 #.3	74895-SXS-A01ZE	\$203.28
Tango Red, (Code R525P)	08-1 #.3	74895-SXS-A01ZG	\$208.30
Urban Titanium, (Code YR578M)	09-1 #.3	74895-SXS-A01ZL	\$173.58
Whistler Silver, (Code NH711M)	08 #.3	74895-SXS-A01ZF	\$200.47
#w/Lower Trim Panel Removed			
2 Clip, Panel (9)¶		91513-SJK-003	\$2.63
3 Bolt, Panel (2)¶		90303-SWA-A00	\$3.38
4 Nut, Finish Panel (2)¶		90308-SMG-E01	\$2.43
¶Included w/Outer Finish Panel Assy			
5 Emblem-See Rear Lamps Section			
Nameplate			
6 "CR-V"		.2 75722-SWA-003	\$21.73
7 "4WD"	10	.2 75719-SZA-A01	\$26.73
8 "4WD"-See Glass & Parts Section			
9 Camera, Rear View	#.2	39530-SWA-E01	\$704.40
#w/Lower Trim Panel Removed			
Spoiler, Rear			

2010 Honda CR-V EX-L Utility

Dealer Installed

Alabaster Silver, (Code NH700M)	09-1	.5	08F02-SWA-1E0	\$295.00
Glacier Blue, (Code B538M)		.5	08F02-SWA-170	\$295.00
Borrego Beige, (Code YR566M)	07-1	.5	08F02-SWA-1A0	\$295.00
Crystal Black, (Code NH731P)	09-1	.5	08F02-SWA-1P0	\$295.00
Green Tea, (Code G526M)	07-0	.5	08F02-SWA-180	\$295.00
Nighthawk Black, (Code B92P)	07-0	.5	08F02-SWA-150	\$295.00
Opal Sage, (Code G532M)	10	.5	08F02-SWA-1U0	\$295.00
Polished Metal, (Code NH737M)	10	.5	08F02-SWA-1D0	\$295.00
Royal Blue, (Code B536P)		.5	08F02-SWA-160	\$295.00
Tafetta White, (Code NH578)		.5	08F02-SWA-120	\$295.00
Tango Red, (Code R525P)		.5	08F02-SWA-190	\$295.00
Urban Titanium	09-1	.5	08F02-SWA-1Q0	\$295.00
Whistler Silver, (Code NH711M)	07-0	.5	08F02-SWA-140	\$295.00

INTERIOR TRIM



R&I Upper Trim Panel

.2

R&I Lower Trim Assy

.4

1 Trim Assy, Upper Center

2010 Honda CR-V EX-L Utility

	Gray		.2	84433-SWW-003ZB	\$31.45
	Ivory		.2	84433-SWW-003ZC	\$31.45
	Quartz		.2	84433-SWW-003ZA	\$31.45
	Clip, Upper Trim¶				
2	No. 1	R		90666-SDA-A01	\$0.42
		L		90666-SDA-A01	\$0.42
3	No. 2 (a)	R		91560-SLJ-J01	\$0.28
		L		91560-SLJ-J01	\$0.28
4	No. 3	R		91562-S0X-A01	\$2.57
		L		91562-S0X-A01	\$2.57
	¶Included w/Upper Center Trim Assy				
	(a) As Required				
5	Trim Assy, Upper Side				
	Gray	R	.2	84435-SWW-003ZB	\$27.28
		L	.2	84485-SWW-003ZB	\$27.28
	Ivory	R	.2	84435-SWW-003ZC	\$27.28
		L	.2	84485-SWW-003ZC	\$27.28
	Quartz	R	.2	84435-SWW-003ZA	\$27.28
		L	.2	84485-SWW-003ZA	\$27.28
	Clip, Upper Trim (b)				
6	No. 1 (a)	R		91560-SLJ-J01	\$0.28
		L		91560-SLJ-J01	\$0.28
7	No. 2	R		91560-S6A-003	\$2.10
		L		91560-S6A-003	\$2.10
	(a) As Required				
	(b) Included w/Upper Side Trim Assy				
8	Trim Assy, Lower				
	Gray		.4	84431-SXS-A00ZA	\$120.25
	Ivory		.4	84431-SXS-A00ZC	\$117.92
	Black		.4	84431-SXS-A00ZB	\$120.25
	Clip, Lower Trim (c)				
9	No. 1 (a)			91560-SLJ-J01	\$0.28
10	No. 2, (2)			91562-S0X-A01	\$2.57
	(a) As Required				
11	Lid, Maintenance (c)				
	Black			84437-SWA-003ZB	\$4.57
	Gray			84437-SWA-003ZA	\$4.57
	Ivory			84437-SWA-003ZC	\$4.57
12	Handle Assy, Liftgate (c)				
	Black		.2	84440-STK-003ZB	\$22.18
	Gray		.2	84440-STK-003ZA	\$22.18
	Ivory		.2	84440-STK-003ZC	\$22.18
13	Cap, Handle (c) (d)				

2010 Honda CR-V EX-L Utility

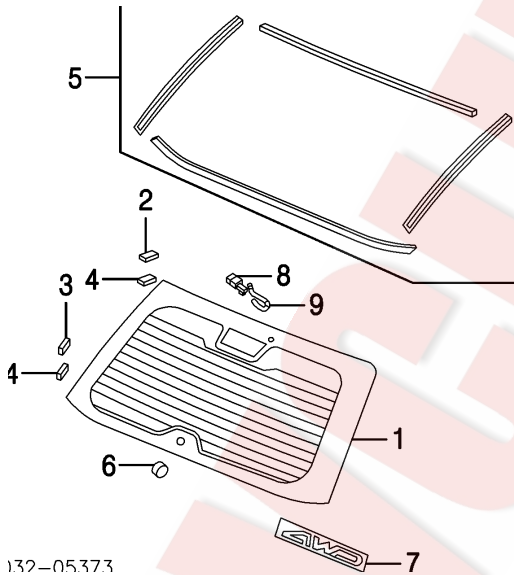
Black	R	84442-STK-003ZB	\$3.15
	L	84442-STK-003ZB	\$3.15
Gray	R	84442-STK-003ZA	\$3.15
	L	84442-STK-003ZA	\$3.15
Ivory	R	84442-STK-003ZC	\$3.15
	L	84442-STK-003ZC	\$3.15

(d) Included w/Liftgate Handle Assy

14 Bolt, Flange (2) (c)	95701-06025-08	\$0.80
-------------------------	----------------	--------

(c) Included w/Lower Trim Assy

GLASS & PARTS



132-05373

1 Glass, Liftgate

Honda

Japan Built

w/Privacy

#2.0 73211-SWA-A01 \$551.77

w/o Privacy

#2.0 73211-SWA-A11 \$577.08

USA Built

w/Privacy

#2.0 73211-SXS-A01 \$551.77

w/o Privacy

#2.0 73211-SXS-A11 \$551.77

Mexico Built

w/Privacy

08-1 #2.0 73211-SXS-A01 \$551.77

w/o Privacy

08-1 #2.0 73211-SXS-A11 \$551.77

NAGS

w/Privacy

#2.0 FB23277YPN \$521.10

w/o Privacy

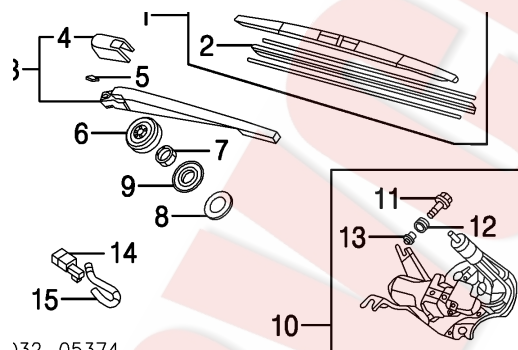
#2.0 FB23277GTN \$736.80

2010 Honda CR-V EX-L Utility

#Includes Clean Up Old Adhesive as Necessary

Fastener, Glass			
2	Outer Upper	R	91536-SS0-J01 \$3.13
		L	91536-SS0-J01 \$3.13
3	Outer Lower	R	91502-S70-003 \$12.77
		L	91502-S70-003 \$12.77
4	Inner, (2/Side)	R	91501-S70-003 \$3.12
		L	91501-S70-003 \$3.12
5	Dam, Glass¶		04733-SWA-000 \$29.63
	¶Non-Reusable Part		
6	Seal, Glass		76707-STK-000 \$3.35
7	Nameplate "4WD"	07-0 .2	75723-SWA-A01 \$5.82
8	Nozzle, Spray-See Wiper System Section		
9	Hose, Nozzle-See Wiper System Section		

WIPER SYSTEM



137-05374

1	Blade Assy, Wiper	.2	76730-SFA-003	\$15.20
2	Insert, Blade¶	.1	76632-S2K-004	\$4.95
	¶Included w/Wiper Blade Assy			
3	Arm Assy, Wiper	#.2	76720-SWA-003	\$20.62
	#Includes R&R Wiper Blade Assy or Insert			
4	Cover, Arm (a)		76721-SCV-A01	\$6.88
	(a) Included w/Wiper Arm Assy			
5	Nut, Hexagonal		94001-06080-0S	\$0.60
6	Cap, Pivot		76711-STK-003	\$0.53
7	Nut, Special		38423-SA6-941	\$4.68
	Washer, Special			

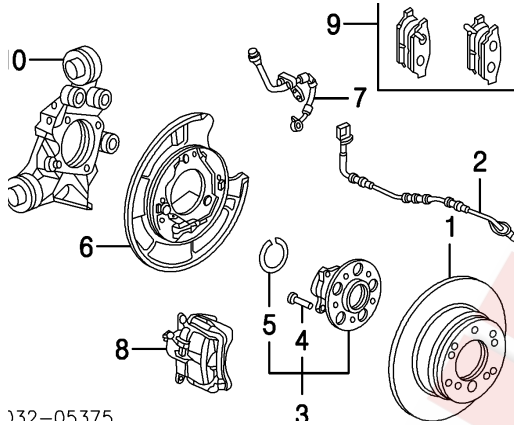
2010 Honda CR-V EX-L Utility

8	Outer		76708-SE1-003	\$4.42
9	Inner		76706-SK7-003	\$2.80
10	Motor Assy, Wiper	#.4	76710-SWA-003	\$155.35
<p>#w/Lower Trim Panel Removed, Includes R&R Wiper Arm</p>				
11	Bolt, Motor (3) (b)		93404-06020-08	\$0.72
12	Mount, Rubber (3) (b)		76701-S6A-003	\$1.97
13	Collar, Mount (b)		76702-S6A-003	\$1.82
<p>(b) Included w/Wiper Motor Assy</p>				
14	Nozzle, Spray			
	Japan Built		.2 76850-SWA-013	\$11.02
	USA Built		.2 76850-SXS-A01	\$15.60
	Mexico Built	08-1	.2 76850-SXS-A01	\$15.60
15	Hose, Nozzle			
	Japan Built		76834-SNA-003	\$1.18
	USA Built		76833-S9V-A01	\$10.77
	Mexico Built	08-10	76833-S9V-A01	\$10.77

REAR SUSPENSION

Procedure 23

2WD



R&I Rear Suspension/Sub-Frame Assy		2.7
R&I Suspension (One Side)	R	2.3
	L	2.3
O/H Suspension (Includes R&I)		
One Side (Includes R&I)	R	3.4
	L	3.4
Both Sides (Includes R&I)		6.2
Adjust Four Wheel Alignment		1.6
Adjust Rear Alignment		1.1
Bleed Brake System		.6

NOTE 1: R&I/R&R or O/H Does Not include alignment or bleed brake system.

NOTE 2: Refer to Special Cautions Section at the beginning of this vehicle text.

NOTE 3: All Parts in this section are included in overhaul unless noted otherwise.

1 Rotor, Brake				
2007-09	R	#.6	42510-STK-A00	\$99.63
	L	#.6	42510-STK-A00	\$99.63
			2010	
Japan Built	R	#.6	42510-STK-A00	\$99.63
	L	#.6	42510-STK-A00	\$99.63
USA, Mexico Built	R	#.6	42510-SXS-A00	\$99.63
	L	#.6	42510-SXS-A00	\$99.63

#R&R Both Sides 1.0

2010 Honda CR-V EX-L Utility

2 Sensor, Rear ABS-See ABS/Brakes Section

3 Hub/Bearing Assy	R	#1.0	42200-SWB-951	\$158.95
	L	#1.0	42200-SWB-951	\$158.95

#Includes R&R Rotor

4 Bolt, Hub (5/Side)¶	R		90113-SD4-902	\$4.37
	L		90113-SD4-902	\$4.37

5 O-Ring¶	R		91352-SJK-951	\$2.23
	L		91352-SJK-951	\$2.23

¶Included w/Hub/Bearing Assy

6 Shield, Splash	R	#.2	43110-STK-A02	\$28.82
	L	#.2	43120-STK-A02	\$28.87

#w/Hub Removed

7 Hose, Brake	R	#.3	01466-SWA-000	\$40.02
	L	#.3	01466-SWA-000	\$40.02

#w/Caliper Removed Deduct .2

8 Caliper, Brake				
Japan Built	R	#.5	43018-SWA-A10	\$337.80
	L	#.5	43019-SWA-A10	\$337.80
USA Built	R	#.5	43018-SXS-000	\$177.93
	L	#.5	43019-SXS-000	\$177.93
Mexico Built	08-1 R	#.5	43018-SXS-000	\$177.93
	L	#.5	43019-SXS-000	\$177.93

#R&R Both Sides .8

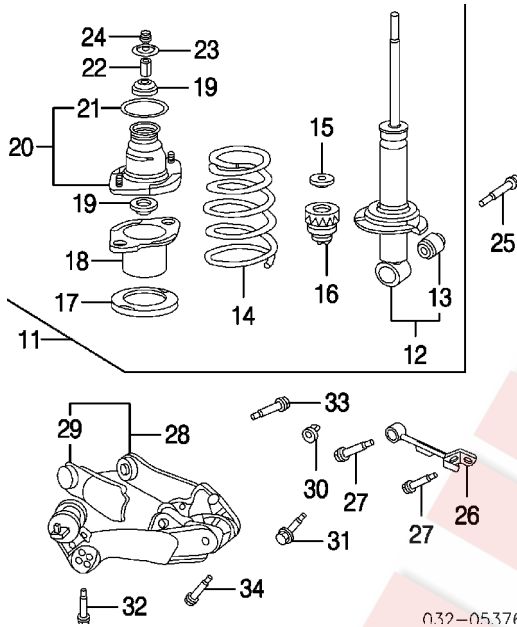
9 Pad Set, Brake				
Japan Built		#1.0	43022-S9A-010	\$56.29
USA Built		#1.0	43022-SXS-000	\$56.29
Mexico Built	08-1	#1.0	43022-SXS-000	\$56.29

#Deduct .5 for Each Caliper Removed

10 Knuckle, Steering	R	#1.6	52210-SWB-A00	\$306.27
	L	#1.6	52215-SWB-A00	\$306.27

#Includes R&R Rotor, Hub, Bearing & Splash Shield, R&R Both Sides 3.0

2010 Honda CR-V EX-L Utility



032-05376

11 Strut/Spring Assy

Japan Built

07-0	R	#1.0	52610-SXS-A05	\$147.02
	L	#1.0	52620-SXS-A05	\$147.02
10	R	#1.0	52610-SWA-A31	\$300.75
	L	#1.0	52620-SWA-A31	\$300.75

USA Built

07	R	#1.0	52610-SXS-A04	\$147.02
	L	#1.0	52620-SXS-A04	\$147.02
08-0	R	#1.0	52610-SXS-A05	\$147.02
	L	#1.0	52620-SXS-A15	\$147.12
10	R	#1.0	52610-SXS-A31	\$125.60
	L	#1.0	52620-SXS-A31	\$125.60

Mexico Built

08-0	R	#1.0	52610-SXS-A05	\$147.02
	L	#1.0	52620-SXS-A15	\$147.12
10	R	#1.0	52610-SXS-A31	\$125.60
	L	#1.0	52620-SXS-A31	\$125.60

#w/Trailing Arm Assy Removed Deduct .6, R&R Both Sides 1.8

12 Strut Assy (a)

07-0	R	#1.5	52611-SWA-A02	\$185.47
	L	#1.5	52611-SWA-A02	\$185.47
10	R	#1.5	52611-SWA-A11	\$89.65
	L	#1.5	52611-SWA-A11	\$89.65

13 Bushing, Mounting (a) (b)

	R	#1.5	52622-S7A-014	\$15.07
	L	#1.5	52622-S7A-014	\$15.07

(b) Included w/Strut Assy

14 Spring

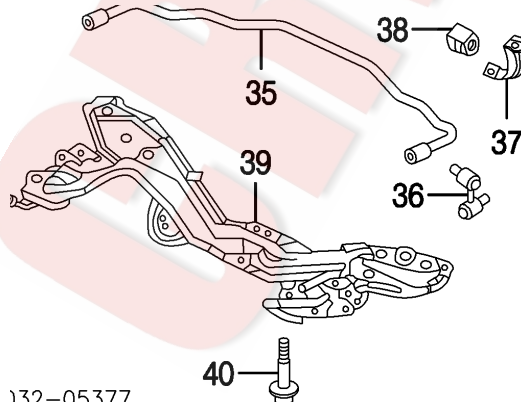
07-0	R	#1.5	52441-SWA-A01	\$32.93
	L	#1.5	52441-SWA-A01	\$32.93

2010 Honda CR-V EX-L Utility

	10	R	#1.5	52441-SWA-A32	\$32.90
		L	#1.5	52441-SWA-A32	\$32.90
15		R	#1.5	52690-SWA-A01	\$2.20
Plate, Bumper Stop (a)		L	#1.5	52690-SWA-A01	\$2.20
16		R	#1.5	52722-SWA-A01	\$6.00
Bumper, Stop (a)		L	#1.5	52722-SWA-A01	\$6.00
17		R	#1.5	52686-S5A-004	\$15.25
Rubber, Spring Mount (a)		L	#1.5	52686-S5A-004	\$15.25
18		R	#1.5	52687-SWA-A01	\$1.42
Cover, Lever (a)		L	#1.5	52687-SWA-A01	\$1.42
19		R	#1.5	52631-S5A-004	\$7.43
Bushing, Strut (2/Side) (a)		L	#1.5	52631-S5A-004	\$7.43
20		R	#1.5	52675-SWA-A02	\$26.58
Mount Assy, Strut (a)		L	#1.5	52675-SWA-A02	\$26.58
Japan Built		R	#1.5	52675-SXS-A02	\$10.92
USA Built		L	#1.5	52675-SXS-A02	\$10.92
Mexico Built	08-1	R	#1.5	52675-SXS-A02	\$10.92
		L	#1.5	52675-SXS-A02	\$10.92
21		R	#1.5	52676-S5A-004	\$6.77
Seal, Strut Mount (a) (c)		L	#1.5	52676-S5A-004	\$6.77
(c) Included w/Strut Mount Assy					
22		R	#1.5	51728-SR0-003	\$0.77
Collar, Strut Mount (a)		L	#1.5	51728-SR0-003	\$0.77
23		R	#1.5	51621-S84-A01	\$0.45
Washer, Strut (a)		L	#1.5	51621-S84-A01	\$0.45
24		R	#1.5	90364-SG0-004	\$0.92
Nut, Self-Lock (a)		L	#1.5	90364-SG0-004	\$0.92
(a) Included w/Strut/Spring Assy					
#R&R One Side Complete, w/Trailing Arm Removed Deduct .6, R&R Both Sides 2.8					
25		R		90181-SFE-020	\$6.07
Bolt, Flange		L		90181-SFE-020	\$6.07
26		R	#.8	52390-SWA-A00	\$27.98
Arm, Upper Control		L	#.8	52390-SWA-A00	\$27.98
#w/Knuckle Removed Deduct .4					
27		R		90396-S7A-010	\$3.83
Bolt, Upr Control Arm (2/Side)		L		90396-S7A-010	\$3.83
28	07-0	R	#2.2	52370-SWA-A01	\$236.43
Arm Assy, Trailing		L	#2.2	52371-SWA-A01	\$236.43
	10	R	#2.2	52370-SWA-A10	\$240.58

2010 Honda CR-V EX-L Utility

	L	#2.2	52371-SWA-A10	\$240.58
#w/Knuckle Removed Deduct 1.2, R&R Both Sides 4.2				
29 Protector, Trailing Arm (d)	R		52352-SWA-A01	\$8.73
	L		52352-SWA-A01	\$8.73
(d) Included w/Trailing Arm Assy				
30 Plate, Cam				
Japan Built	R		52388-S7A-013	\$4.97
	L		52388-S7A-013	\$4.97
USA Built	R		52388-SNA-003	\$2.62
	L		52388-SNA-003	\$2.62
Mexico Built	08-1 R		52388-SNA-003	\$2.62
	L		52388-SNA-003	\$2.62
31 Bolt, Adjust				
Japan Built	R		52387-SFE-000	\$7.37
	L		52387-SFE-000	\$7.37
USA Built	R		52387-SXS-A00	\$8.97
	L		52387-SXS-A00	\$8.97
Mexico Built	08-1 R		52387-SXS-A00	\$8.97
	L		52387-SXS-A00	\$8.97
32 Bolt, Front Arm (2/Side)	07 R		90183-SNA-000	\$2.48
	L		90183-SNA-000	\$2.48
	08 R		90023-SM4-003	\$8.07
	L		90023-SM4-003	\$8.07
	09-1 R		90183-SWA-A00	\$1.88
	L		90183-SWA-A00	\$1.88
33 Bolt, Rear Outer Arm	R		90398-S5A-000	\$4.15
	L		90398-S5A-000	\$4.15
34 Bolt, Rear Inner Arm	R		90181-SFE-020	\$6.07
	L		90181-SFE-020	\$6.07



132-05377				
35 Bar, Stabilizer		#.9	52300-SWA-A01	\$38.03

2010 Honda CR-V EX-L Utility

#Includes R&R Stabilizer Links, Brackets & Bushings, Not Included in O/H

36 Link, Stabilizer Bar	R	#.4	52320-SWA-A01	\$17.33
	L	#.4	52321-SWA-A01	\$17.33

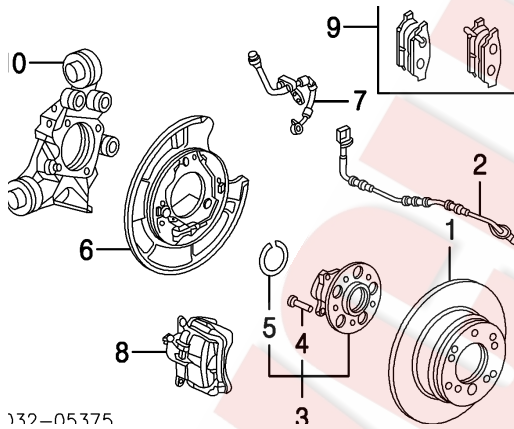
#Not Included in O/H

37 Bracket, Stabilizer Bar	R	#	52308-SZ5-000	\$5.50
	L	#	52308-SZ5-000	\$5.50
38 Bushing, Stabilizer Bar	R	#	52306-SWA-A01	\$2.33
	L	#	52306-SWA-A01	\$2.33

#Not Included in O/H

39 Crossmember, Susp		4.0	50300-SWA-A00	\$537.13
40 Bolt, Crossmember (2/Side)	R		90161-SD5-020	\$6.25
	L		90161-SD5-020	\$6.25

4WD



132-05375

R&I Rear Suspension/Sub-Frame Assy		3.4
R&I Suspension (One Side)	R	2.5
	L	2.5
O/H Suspension (Includes R&I)		
One Side (Includes R&I)	R	3.8
	L	3.8
Both Sides (Includes R&I)		7.4
Adjust Four Wheel Alignment		1.6
Adjust Rear Alignment		1.1
Bleed Brake System		.6

NOTE 1: R&I/R&R or O/H Does Not include alignment or bleed brake system.

NOTE 2: Refer to Special Cautions Section at the beginning of this vehicle text.

2010 Honda CR-V EX-L Utility

NOTE 3: All Parts in this section are included in overhaul unless noted otherwise.

Nut, Axle-See Rear Drive Axle Section

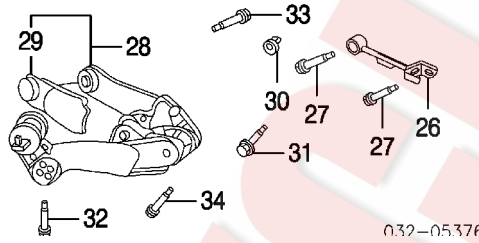
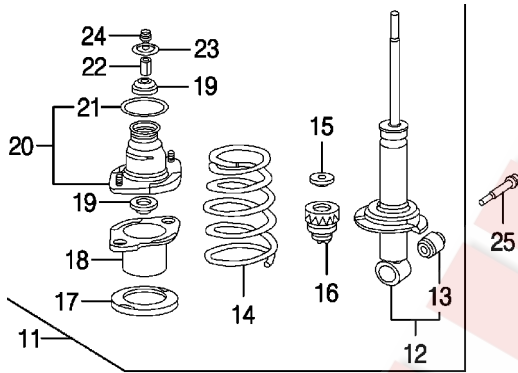
1 Rotor, Brake				
2007-09	R	#.6	42510-STK-A00	\$99.63
	L	#.6	42510-STK-A00	\$99.63
			2010	
Japan Built	R	#.6	42510-STK-A00	\$99.63
	L	#.6	42510-STK-A00	\$99.63
USA, Mexico Built	R	#.6	42510-SXS-A00	\$99.63
	L	#.6	42510-SXS-A00	\$99.63
#R&R Both Sides 1.0				
2 Sensor, Rear ABS-See ABS/Brakes Section				
3 Hub/Bearing Assy	R	#1.2	42200-STK-951	\$142.03
	L	#1.2	42200-STK-951	\$142.03
#Includes R&R Rotor				
4 Bolt, Hub (5/Side)¶	R		90113-SD4-902	\$4.37
	L		90113-SD4-902	\$4.37
5 O-Ring¶¶	R		91352-SJK-951	\$2.23
	L		91352-SJK-951	\$2.23
¶¶Included w/Hub/Bearing Assy				
6 Shield, Splash	R	#.2	43110-STK-A02	\$28.82
	L	#.2	43120-STK-A02	\$28.87
#w/Hub Removed				
7 Hose, Brake	R	#.3	01466-SWA-000	\$40.02
	L	#.3	01466-SWA-000	\$40.02
#w/Caliper Removed Deduct .2				
8 Caliper, Brake				
Japan Built	R	#.5	43018-SWA-A10	\$337.80
	L	#.5	43019-SWA-A10	\$337.80
USA Built	R	#.5	43018-SXS-000	\$177.93
	L	#.5	43019-SXS-000	\$177.93
Mexico Built	08-1 R	#.5	43018-SXS-000	\$177.93
	L	#.5	43019-SXS-000	\$177.93
#R&R Both Sides .8				
9 Pad Set, Brake				
Japan Built		#1.0	43022-S9A-010	\$56.29
USA Built		#1.0	43022-SXS-000	\$56.29
Mexico Built	08-1	#1.0	43022-SXS-000	\$56.29

2010 Honda CR-V EX-L Utility

#Deduct .5 for Each Caliper Removed

10 Knuckle, Steering	R	#1.9	52210-SWA-A00	\$306.27
	L	#1.9	52215-SWA-A00	\$306.27

#Includes R&R Rotor, Hub, Bearing & Splash Shield, R&R Both Sides 3.6



11 Strut/Spring Assy	Japan Built			
	07-0	R	#1.0	52610-SXS-A15 \$147.12
		L	#1.0	52620-SXS-A15 \$147.12
	10	R	#1.0	52610-SWA-A41 \$300.75
		L	#1.0	52620-SWA-A41 \$300.75
	USA Built			
	07	R	#1.0	52610-SXS-A14 \$147.12
		L	#1.0	52620-SXS-A14 \$147.12
	08-0	R	#1.0	52610-SXS-A15 \$147.12
		L	#1.0	52620-SXS-A15 \$147.12
	10	R	#1.0	52610-SXS-A41 \$125.60
		L	#1.0	52620-SXS-A41 \$125.60
Mexico Built				
08-0	R	#1.0	52610-SXS-A15 \$147.12	
	L	#1.0	52620-SXS-A15 \$147.12	
10	R	#1.0	52610-SXS-A41 \$125.60	
	L	#1.0	52620-SXS-A41 \$125.60	

#w/Trailing Arm Assy Removed Deduct .6, R&R Both Sides 1.8

12 Strut Assy (a)	07-0	R	#1.5	52611-SWA-A02 \$185.47
		L	#1.5	52611-SWA-A02 \$185.47

2010 Honda CR-V EX-L Utility

	10	R	#1.5	52611-SWA-A11	\$89.65
		L	#1.5	52611-SWA-A11	\$89.65
13		R		52622-S7A-014	\$15.07
		L		52622-S7A-014	\$15.07
				(b) Included w/Strut Assy	
14	07-0	R	#1.5	52441-SWA-A11	\$113.42
		L	#1.5	52441-SWA-A11	\$113.42
	10	R	#1.5	52441-SWA-A41	\$32.90
		L	#1.5	52441-SWA-A41	\$32.90
15		R	#1.5	52690-SWA-A01	\$2.20
		L	#1.5	52690-SWA-A01	\$2.20
16		R	#1.5	52722-SWA-A01	\$6.00
		L	#1.5	52722-SWA-A01	\$6.00
17		R	#1.5	52686-S5A-004	\$15.25
		L	#1.5	52686-S5A-004	\$15.25
18		R	#1.5	52687-SWA-A01	\$1.42
		L	#1.5	52687-SWA-A01	\$1.42
19		R		52631-S5A-004	\$7.43
		L		52631-S5A-004	\$7.43
20				Mount Assy, Strut (a)	
		R	#1.5	52675-SWA-A02	\$26.58
		L	#1.5	52675-SWA-A02	\$26.58
		R	#1.5	52675-SXS-A02	\$10.92
		L	#1.5	52675-SXS-A02	\$10.92
	08-1	R	#1.5	52675-SXS-A02	\$10.92
		L	#1.5	52675-SXS-A02	\$10.92
21		R	#1.5	52676-S5A-004	\$6.77
		L	#1.5	52676-S5A-004	\$6.77
				(c) Included w/Strut Mount Assy	
22		R	#1.5	51728-SR0-003	\$0.77
		L	#1.5	51728-SR0-003	\$0.77
23		R	#1.5	51621-S84-A01	\$0.45
		L	#1.5	51621-S84-A01	\$0.45
24		R	#1.5	90364-SG0-004	\$0.92
		L	#1.5	90364-SG0-004	\$0.92
				(a) Included w/Strut/Spring Assy	
				#R&R One Side Complete, w/Trailing Arm Removed Deduct .6, R&R Both Sides 2.8	
25		R		90181-SFE-020	\$6.07
		L		90181-SFE-020	\$6.07
26		R	#.8	52390-SWA-A00	\$27.98
		L	#.8	52390-SWA-A00	\$27.98

2010 Honda CR-V EX-L Utility

#w/Knuckle Removed Deduct .4

27	Bolt, Upr Control Arm (2/Side)	R		90396-S7A-010	\$3.83
		L		90396-S7A-010	\$3.83
28	Arm Assy, Trailing	07-0	R #2.2	52370-SWA-A01	\$236.43
		L	#2.2	52371-SWA-A01	\$236.43
		10	R #2.2	52370-SWA-A10	\$240.58
		L	#2.2	52371-SWA-A10	\$240.58

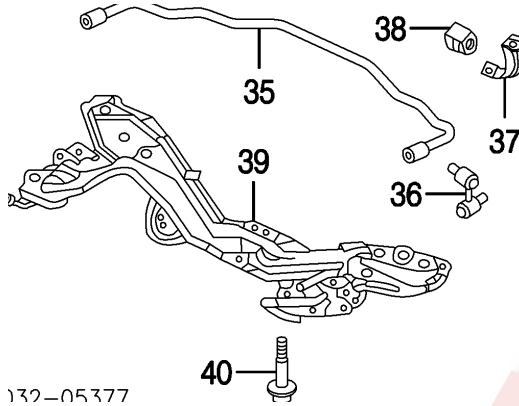
#w/Knuckle Removed Deduct 1.2, R&R Both Sides
4.2

29	Protector, Trailing Arm (d)	R		52352-SWA-A01	\$8.73
		L		52352-SWA-A01	\$8.73

(d) Included w/Trailing Arm Assy

30	Plate, Cam				
	Japan Built	R		52388-S7A-013	\$4.97
		L		52388-S7A-013	\$4.97
	USA Built	R		52388-SNA-003	\$2.62
		L		52388-SNA-003	\$2.62
	Mexico Built	08-1	R	52388-SNA-003	\$2.62
		L		52388-SNA-003	\$2.62
31	Bolt, Adjust				
	Japan Built	R		52387-SFE-000	\$7.37
		L		52387-SFE-000	\$7.37
	USA Built	R		52387-SXS-A00	\$8.97
		L		52387-SXS-A00	\$8.97
	Mexico Built	08-1	R	52387-SXS-A00	\$8.97
		L		52387-SXS-A00	\$8.97
32	Bolt, Front Arm (2/Side)	07	R	90183-SNA-000	\$2.48
		L		90183-SNA-000	\$2.48
		08-1	R	90023-SM4-003	\$8.07
		L		90023-SM4-003	\$8.07
33	Bolt, Rear Outer Arm	R		90398-S5A-000	\$4.15
		L		90398-S5A-000	\$4.15
34	Bolt, Rear Inner Arm	R		90181-SFE-020	\$6.07
		L		90181-SFE-020	\$6.07

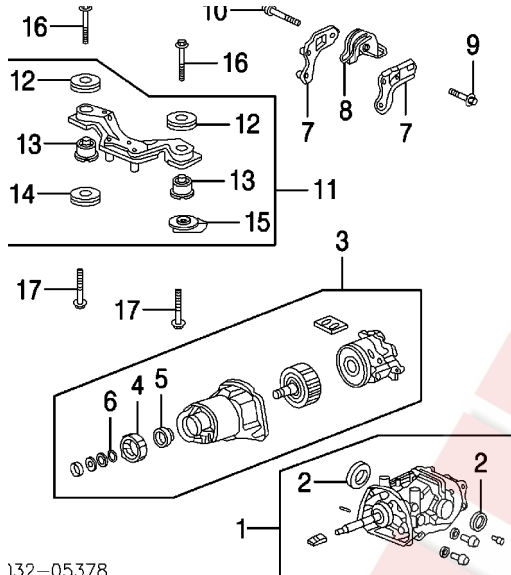
2010 Honda CR-V EX-L Utility



132-05377

35 Bar, Stabilizer		#.9	52300-SWA-A01	\$38.03
#Includes R&R Stabilizer Links, Brackets & Bushings, Not Included in O/H				
36 Link, Stabilizer Bar	R	#.4	52320-SWA-A01	\$17.33
	L	#.4	52320-SWA-A01	\$17.33
#Not Included in O/H				
37 Bracket, Stabilizer Bar	R	#	52308-SZ5-000	\$5.50
	L	#	52308-SZ5-000	\$5.50
38 Bushing, Stabilizer Bar	R	#	52306-SWA-A01	\$2.33
	L	#	52306-SWA-A01	\$2.33
#Not Included in O/H				
39 Crossmember, Susp		5.2	50300-SWA-A00	\$537.13
40 Bolt, Crossmember (2/Side)	R		90161-SD5-020	\$6.25
	L		90161-SD5-020	\$6.25

REAR DRIVE AXLE



132-0537R

R&I Differential Assy

R&I Axle Shaft Assy

2.8

R #.4
L #.4

#w/Differential Assy Removed

1 Carrier Assy, Differential		3.4	41010-R09-000	\$1,523.12
2 Seal, Carrier¶	R		91202-PWT-003	\$8.58
	L		91203-PWT-003	\$8.92

¶Included w/Differential Carrier Assy

3 Case Assy, Differential		#4.8	41011-R09-000	\$1,333.00
---------------------------	--	------	---------------	------------

#Includes R&I/R&R Differential Carrier Assy

4 Flange (a)			40441-P6R-010	\$33.78
5 Seal (a)			91201-PWT-003	\$8.92
6 O-Ring (a)			91303-P6R-003	\$3.97

(a) Included w/Differential Case Assy

7 Bracket, Differential Mtg	R	#.3	50530-SWA-000	\$15.97
	L	#.3	50540-SWA-000	\$14.23
8 Insulator, Differential		#.3	50721-S5C-013	\$47.16

#R&R Complete, w/Differential Assy Removed

9 Bolt, Insulator			90173-SWA-010	\$3.77
10 Bolt, Mounting			90162-S5A-000	\$6.02

2010 Honda CR-V EX-L Utility

11 Mounting Assy, Differential

Japan Built	#.3	50710-SWA-A02	\$177.56
USA Built	#.3	50710-SXS-A00	\$117.38
Mexico Built	08-1 #.3	50710-SXS-A00	\$117.38

#w/Differential Carrier Assy Removed

12 Mount, Upper Bushing (b)

R	50713-SWA-000	\$5.92
L	50713-SWA-000	\$5.92

Insulator, Diff'l Mtg (b)

13 No. 1	R	50711-SWA-020	\$32.14
	L	50711-SWA-020	\$32.14

14 No. 2

Japan Built		50712-SWA-030	\$16.30
USA Built		50712-SXS-A00	\$18.22
Mexico Built	08-10	50712-SXS-A00	\$18.22

15 Plate, Insulator

Japan Built		50714-SWA-010	\$7.28
USA Built		50714-SXS-A00	\$7.22
Mexico Built	08-10	50714-SXS-A00	\$7.22

(b) Included w/Differential Mounting Assy

16 Bolt, Upper Diff'l

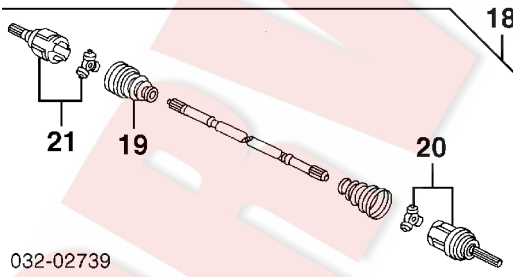
R	90161-SWA-000	\$3.77
L	90161-SWA-000	\$3.77

17 Bolt, Lower Diff'l

R	90163-SR7-010	\$7.27
L	90163-SR7-010	\$7.27

Nut, Axle

R	90305-SD4-003	\$3.42
L	90305-SD4-003	\$3.42



18 Shaft Assy, Axle

2007-09

Japan Built	R	#.4	42310-SWA-000	\$593.48
	L	#.4	42311-SWA-000	\$593.48
USA Built	R	#.4	42310-SXS-A01	\$319.58
	L	#.4	42311-SXS-A01	\$317.72
Mexico Built	08-0 R	#.4	42310-SXS-A01	\$319.58
	L	#.4	42310-SXS-A01	\$319.58
2010	R	#.4	42310-SXS-A01	\$319.58

2010 Honda CR-V EX-L Utility

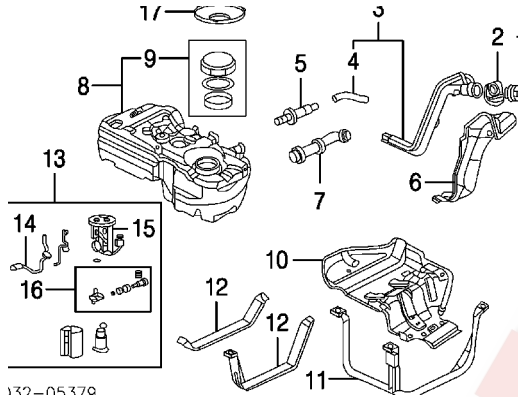
		L	#.4	42311-SXS-A01	\$317.72
	#w/Differential Assy Removed				
19	Boot Set (2/Side) (c)				
	2007-09				
	Japan Built	R		42017-SWA-000	\$29.60
		L		42017-SWA-000	\$29.60
	USA Built	R		42017-SXS-A01	\$29.60
		L		42017-SXS-A01	\$29.60
	Mexico Built	08-0	R	42017-SXS-A01	\$29.60
			L	42017-SXS-A01	\$29.60
		2010	R	42017-SXS-A01	\$29.60
			L	42017-SXS-A01	\$29.60
20	Joint, Outer (c)				
		R	#.7	42330-SWA-305	\$260.90
		L	#.7	42330-SWA-305	\$260.90
21	Joint, Inner (c)				
	2007-09				
	Japan Built	R	#.7	42320-SMB-305	\$262.25
		L	#.7	42320-SMB-306	\$262.25
	USA Built	R	#.7	42320-SXS-A01	\$117.28
		L	#.7	42320-SXS-A11	\$117.28
	Mexico Built	08-0	R	42320-SXS-A01	\$117.28
			L	42320-SXS-A11	\$117.28
		2010	R	42320-SXS-A01	\$117.28
			L	42320-SXS-A11	\$117.28

(c) Included w/Axle Shaft Assy

#R&R One Side Complete, w/Axle Shaft Assy Removed

2010 Honda CR-V EX-L Utility

FUEL TANK



137-05370

R&I Fuel Tank	1.3
Add to R&I/R&R Fuel Tank w/4WD	.5

NOTE: R&I/R&R Does Not include drain and refill.

1 Cap, Fuel Filler		17670-SNA-A02	\$20.27
2 Gasket, Fuel Filler		17662-S04-003	\$6.05
3 Pipe Assy, Fuel Filler	.8	17660-SWA-A01	\$87.60
4 Tube, Vent¶		17653-SWA-A00	\$12.58
¶Included w/Fuel Filler Pipe Assy			
5 Pipe, Breather		17656-S9A-A01	\$21.70
6 Cover, Fuel Filler Pipe		17668-SWA-000	\$5.07
7 Tube, Filler Neck		17651-SWA-A01	\$56.20
8 Tank Assy, Fuel			
Japan Built	07-0	1.6 17044-SWA-A00	\$395.37
	10	1.6 17044-SWA-A01	\$395.37
USA Built		1.6 17044-SXS-A01	\$455.75
Mexico Built	08-1	1.6 17044-SXS-A01	\$455.75
9 Gasket, Fuel Pump Mount (a)			
Japan Built		17046-SWA-A00	\$26.25
USA Built		17046-SXS-A00	\$74.32
Mexico Built	08-10	17046-SXS-A00	\$74.32
(a) Included w/Fuel Tank Assy			
10 Protector, Fuel Tank		17519-SWA-000	\$81.38
11 Pipe, Fuel Tank Guard		17518-SWA-000	\$46.83
12 Band, Tank Mount	R	17521-SWA-000	\$58.97
	L	17522-SWA-A00	\$44.52
13 Pump Assy, Fuel			
Japan Built	07-0 #1.5	17045-SWA-A00	\$283.82

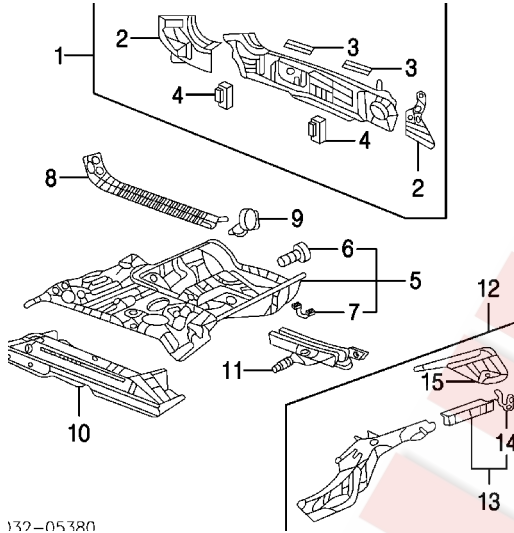
2010 Honda CR-V EX-L Utility

		10 #1.5	17045-SWA-A01	\$263.35
USA Built		#1.5	17045-SXS-A01	\$270.06
Mexico Built		08-1 #1.5	17045-SXS-A01	\$270.06
#Included in R&R Fuel Tank				
14 Gauge, Fuel (b)				
Japan Built			17047-SWA-A00	\$88.52
USA Built			17047-SXS-A00	\$154.73
Mexico Built		08-10	17047-SXS-A00	\$154.73
15 Filter, Fuel (b)				
Japan Built			17048-SWA-A00	\$100.27
USA Built			17048-SXS-A00	\$93.82
Mexico Built		08-10	17048-SXS-A00	\$93.82
16 Regulator, Pressure (b)				
Japan Built			17052-SWA-A00	\$73.00
USA Built			17052-SXS-A00	\$125.50
Mexico Built		08-10	17052-SXS-A00	\$125.50
(b) Included w/Fuel Pump Assy				
17 Cap, Maintenance			74660-S1C-E00	\$14.57

REAR BODY

Procedures 26 and 28

SHEET METAL



132-05380

Refinish Rear Body Panel Assy		2.0		
Add for Edge & Inside		1.0		
Refinish Rear Floor Panel Assy		1.5		
Add for Underside		.8		
Refinish Rear Sidemember Assy	R	1.2		
	L	1.2		
Section Rear Floor Pan		#12.0		
#w/Rear Panel Assy Removed, Deduct 1.5 for Each Inner Quarter Panel Removed				
R&I Trailer Hitch		.9		
1 Panel Assy, Rear		#9.7	66100-SWA-A00ZZ	\$323.55
#Includes R&R Reinforcement Bar, Deduct 2.0 for Each Quarter Outer Panel Removed, Deduction Includes Common Surfaces & Included Operations				
2 Stiffener, Rear End Panel¶	R	1.5	66115-SWA-A00ZZ	\$34.30
	L	1.5	66165-SWA-A00ZZ	\$54.65
3 Stiffener, Face Bar¶	R	.3	66118-SWA-A00ZZ	\$12.52
	L	.3	66118-SWA-A00ZZ	\$12.52
4 Bracket, Rear Panel¶	R	.2	66117-SWA-A00ZZ	\$11.92
	L	.2	66167-SWA-A00ZZ	\$18.93

¶Included w/Rear Panel Assy

2010 Honda CR-V EX-L Utility

Striker, Latch-See Liftgate Section

5 Panel Assy, Rear Floor #18.0 04655-SXS-A00ZZ \$786.78

#w/Rear Body Panel Assy Removed, Deduct 3.5 for Each Inner Quarter Panel Removed

6 Bracket, Tie Down (a) .3 65513-SWA-A00ZZ \$87.42

7 Bracket, Bumper (a) R .3 65522-SWA-A00ZZ \$9.90

L .3 65522-SWA-A00ZZ \$9.90

(a) Included w/Rear Floor Panel Assy

8 Crossmember, Upper 3.0 65741-SWA-A00ZZ \$68.85

9 Gusset, Corner R .8 74610-SWA-A00ZZ \$49.60

L .8 74650-SWA-A00ZZ \$49.60

10 Crossmember, Front (HSS)

Japan Built

2WD 3.5 65700-SWB-A00ZZ \$177.53

4WD 3.5 65700-SWA-A00ZZ \$172.20

USA Built

2WD 3.5 65700-SXT-A00ZZ \$154.20

4WD 3.5 65700-SXS-A00ZZ \$166.47

Mexico Built

2WD 08-1 3.5 65700-SXT-A00ZZ \$154.20

4WD 08-1 3.5 65700-SXS-A00ZZ \$166.47

11 Crossmember, Rear Floor

2WD 2.5 65750-SWB-A00ZZ \$123.38

4WD 2.5 65750-SWA-A00ZZ \$137.72

12 Sidemember Assy, Rear

R #7.5 65610-SWA-A00ZZ \$415.63

L #7.5 65660-SWA-A00ZZ \$415.63

#Deduct 2.5 w/Rear Floor Panel Removed

13 Extension Assy, Rear (HSS) (b) R 2.0 04653-SWA-A00ZZ \$95.62

L 2.0 04654-SWA-A00ZZ \$95.62

14 Flange, Sidemember End (b) (c)

R .7 65615-SWA-A00ZZ \$10.15

L .7 65665-SWA-A00ZZ \$10.15

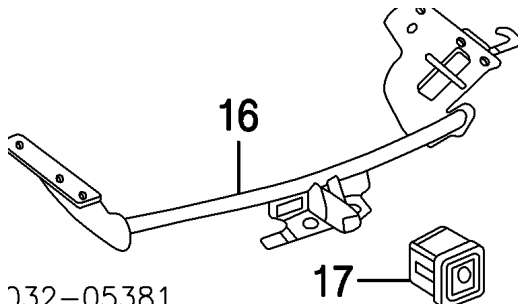
(c) Included w/Rear Extension Assy

15 Stiffener, Upper (b) R 1.5 65623-SWA-A00ZZ \$45.42

L 1.5 65673-SWA-A00ZZ \$45.42

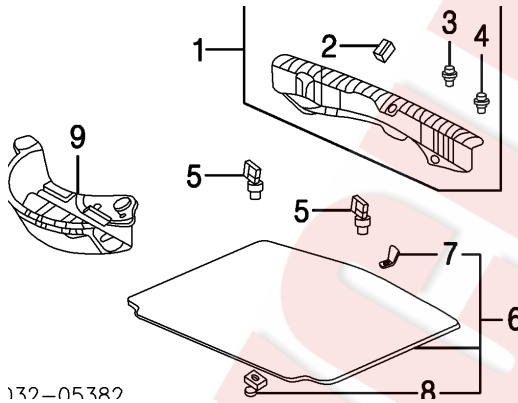
(b) Included w/Rear Sidemember Assy

2010 Honda CR-V EX-L Utility



132-05381			
16	Hitch Kit, Trailer Dealer Installed	1.2 08L92-SWA-100	\$337.69
17	Cover, Anchor Dealer Installed	08L92-S9A-10016	\$14.07

INTERIOR TRIM



132-05382			
1	Trim Assy, Rear Black .2 84640-SWA-013ZB \$20.12 Gray .2 84640-SWA-013ZA \$20.12 Ivory .2 84640-SWA-013ZC \$20.12		
2	Cap, Rear Trim¶ Black R 84641-SWA-003ZB \$2.77 L 84661-SWA-A01ZB \$3.65 Gray R 84641-SWA-003ZA \$2.77 L 84661-SWA-A01ZA \$3.65 Ivory R 84641-SWA-003ZC \$2.77 L 84661-SWA-A01ZC \$3.65		
3	Clip, No. 1 Rear Trim (a)¶ (a) As Required 91560-SLJ-J01 \$0.28		
4	Clip, No. 2 Rear Trim¶ R 91560-SYA-J01 \$0.55 L 91560-SYA-J01 \$0.55		
¶Included w/Rear Trim Assy			
5	Hook, Tie R 84614-SEA-E00 \$10.13 L 84614-SEA-E00 \$10.13		

2010 Honda CR-V EX-L Utility

6 Mat Assy, Trunk Floor

Japan Built

Black	07-09	84520-SWA-003ZA	\$284.23
	10	84520-SWA-013ZA	\$284.23
Brown	10	84520-SWA-013ZD	\$284.23
Gray	07-09	84520-SWA-003ZB	\$284.23
	10	84520-SWA-013ZB	\$284.23
Ivory	07-09	84520-SWA-003ZC	\$100.92

USA Built

Black	07-09	84520-SXS-A01ZA	\$90.23
	10	84520-SXS-A02ZA	\$90.23
Brown	10	84520-SXS-A02ZD	\$90.23
Gray	07-09	84520-SXS-A01ZB	\$90.23
	10	84520-SXS-A02ZB	\$90.23
Ivory	07-09	84520-SXS-A01ZC	\$105.95

Mexico Built

Black	08-09	84520-SXS-A01ZA	\$90.23
	10	84520-SXS-A02ZA	\$90.23
Brown	10	84520-SXS-A02ZD	\$90.23
Gray	08-09	84520-SXS-A01ZB	\$90.23
	10	84520-SXS-A02ZB	\$90.23
Ivory	08-09	84520-SXS-A01ZC	\$105.95

7 Strap, Holding (b)

Black		84524-SWA-003ZA	\$1.93
Gray		84524-SWA-003ZC	\$1.93
Ivory	07-09	84524-SWA-003ZB	\$1.88

8 Hook, Attaching (2) (b)

		84525-SWA-003	\$2.58
--	--	---------------	--------

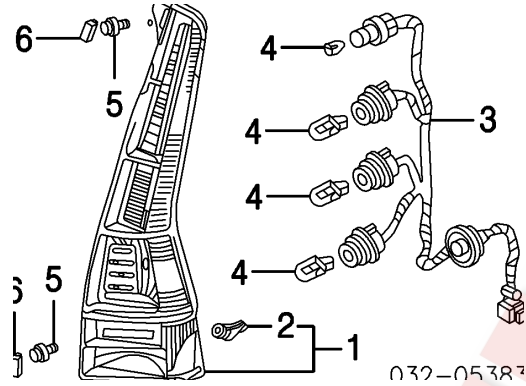
(b) Included w/Trunk Floor Mat Assy

9 Cover, Rear Floor

		74680-SWA-A00	\$16.30
--	--	---------------	---------

REAR LAMPS

COMBINATION LAMP

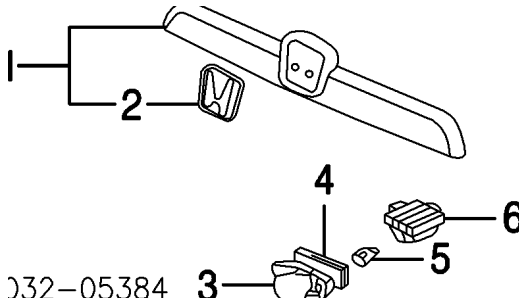


R&I Combination Lamp Assy	R	.3		
	L	.3		
1 Lens & Housing Assy	R	.3	33501-SWA-A02	\$258.98
	L	.3	33551-SWA-A02	\$258.98
2 Clip, Lamp (3/Side)¶	R		90665-S47-003	\$4.13
	L		90665-S47-003	\$4.13
¶Included w/Lens & Housing Assy				
3 Socket & Wire	R		33502-SWA-A01	\$72.50
	L		33502-SWA-A01	\$72.50
4 Bulb				
Stop/Tail	R	#.2	34906-ST5-003	\$3.95
	L	#.2	34906-ST5-003	\$3.95
Signal, (2/Side)	R		33303-SL4-003	\$3.40
	L		33303-SL4-003	\$3.40
Back-Up	R	#.2	33303-S2R-003	\$4.65
	L	#.2	33303-S2R-003	\$4.65
#R&R One Side Complete, Included in R&I/R&R Combination Lamp Assy				
5 Bolt, Lamp Mtg (2/Side)	R		90001-S10-A00	\$5.62
	L		90001-S10-A00	\$5.62
6 Cap, Bolt (2/Side)	R		33506-SWA-A01	\$13.50
	L		33506-SWA-A01	\$13.50
Harness, Lamp¶			32140-SWA-A31	\$172.07

¶Order by Application

LICENSE LAMP

2010 Honda CR-V EX-L Utility



032-05384
R&I Garnish Assy

#.3

#w/Lower Trim Panel Removed, Included in R&R Liftgate

1 Garnish Assy, License

Japan Built

EX, EX-L Model

#.3

74890-SWA-A01

\$145.00

LX Model

#.3

74890-SWA-A11

\$66.57

USA Built

EX, EX-L Model

#.3

74890-SXS-A01

\$67.33

LX Model

#.3

74890-SXS-A11

\$54.92

Mexico Built

EX, EX-L Model

08-1 #.3

74890-SXS-A01

\$67.33

LX Model

08-1 #.3

74890-SXS-A11

\$54.92

#w/Lower Trim Panel Removed, Included in R&R Liftgate

2 Emblem¶

"H"

.2 75701-SMA-000

\$18.08

¶Included w/License Garnish Assy

3 Lens, Lamp

#.2

34101-S60-013

\$5.77

4 Gasket, Lens

#

34103-S60-003

\$3.68

5 Bulb, License

#.2

33301-SNA-003

\$2.75

6 Housing, License Lamp

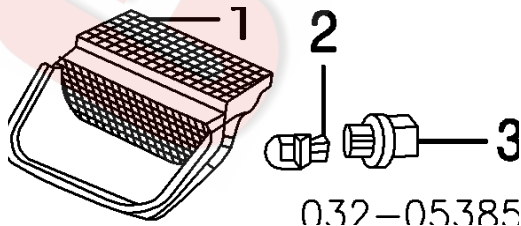
#.2

34102-SWA-A01

\$34.00

#R&R Complete, w/Lower Trim Panel Removed

HIGH MOUNT STOP LAMP



032-05385

1 Lamp, High Mount

#.2

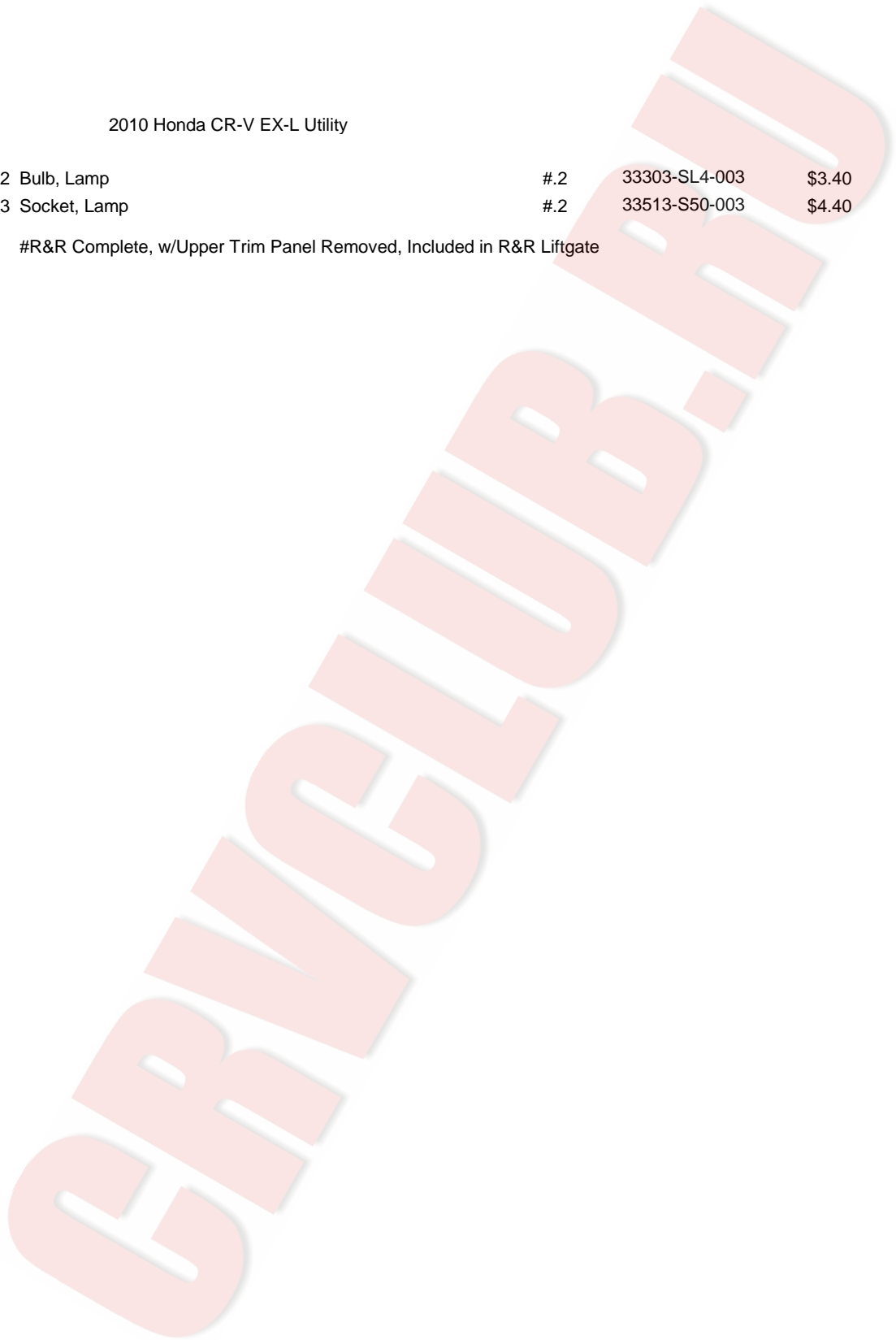
34271-SWA-A01

\$68.20

2010 Honda CR-V EX-L Utility

2 Bulb, Lamp	#.2	33303-SL4-003	\$3.40
3 Socket, Lamp	#.2	33513-S50-003	\$4.40

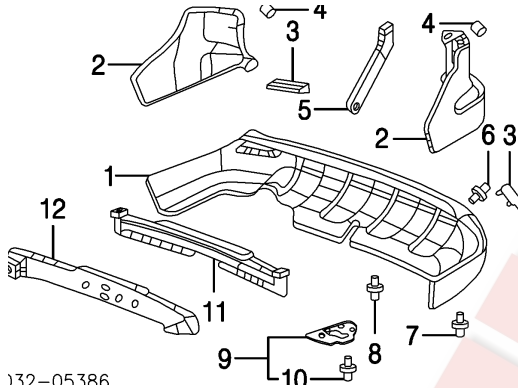
#R&R Complete, w/Upper Trim Panel Removed, Included in R&R Liftgate



REAR BUMPER

Procedures 27 and 28

2007-09



132-05386

Refinish Side Cover	R	1.2
	L	1.2
Refinish Rear Cover Cap	R	.3
	L	.3
Refinish Reinforcement Bar		1.0
Refinish Reverse Parking Sensors Complete		.7
Refinish Parking Sensor Center	R	.3
	L	.3
Refinish Outer	R	.3
	L	.3
R&I Bumper Assy		1.0
O/H Bumper Assy (Includes R&I)		2.2
Add to R&R or O/H Bumper Assy		
w/Mudguards		.4
w/Parking Sensors		.4
Add to R&R Bumper		
To Drill for Parking Sensors		#.5

#See Manufacturer's Body Repair Manual for Specific Instructions

NOTE 1: All Parts in this section are included in overhaul unless noted otherwise.

NOTE 2: Manufacturer Advises that the Reinforcement Beam is High Strength Steel and should never be repaired.

2010 Honda CR-V EX-L Utility

1 Cover, Rear Center		#2.2	04715-SWA-A90	\$271.13
2 Cover, Rear Side (P)	R	#1.6	04717-SWA-A90ZZ	\$103.85
	L	#1.6	04718-SWA-A90ZZ	\$103.85
(P) Paint to Match				
#Includes R&I Bumper Assy				
3 Reflector	R	#.2	33505-SWA-003	\$34.50
	L	#.2	33555-SWA-003	\$34.50
#w/Bumper Assy Removed				
4 Cap, Rear Cover				
Alabaster Silver, (Code NH700M)	09 R	.1	71503-S9A-000YV	\$4.37
	L	.1	71503-S9A-000YV	\$4.37
Borrego Beige, (Code YR566M)	R	.1	71503-S9A-000A8	\$4.08
	L	.1	71503-S9A-000A8	\$4.08
Crystal Black, (Code NH731P)	09 R	.1	71503-S9A-000C7	\$4.37
	L	.1	71503-S9A-000C7	\$4.37
Green Tea, (Code G526M)	R	.1	71503-S9A-000A5	\$3.95
	L	.1	71503-S9A-000A5	\$3.95
Glacier Blue, (Code B538M)	R	.1	71503-S9A-000YY	\$3.95
	L	.1	71503-S9A-000YY	\$3.95
Nighthawk Black, (Code B92P)	07-0 R	.1	71503-S9A-000ZD	\$9.40
	L	.1	71503-S9A-000ZD	\$9.40
Royal Blue, (Code B536P)	R	.1	71503-S9A-000YU	\$4.37
	L	.1	71503-S9A-000YU	\$4.37
Tafetta White, (Code NH578)	R	.1	71503-S9A-000ZF	\$9.40
	L	.1	71503-S9A-000ZF	\$9.40
Tango Red, (Code R525P)	R	.1	71503-S9A-000A7	\$3.95
	L	.1	71503-S9A-000A7	\$3.95
Urban Titanium, (Code YR578M)	09 R	.1	71503-S9A-000D4	\$3.80
	L	.1	71503-S9A-000D4	\$3.80
Whistler Silver, (Code NH711M)	07-0 R	.1	71503-S9A-000A6	\$3.95
	L	.1	71503-S9A-000A6	\$3.95
5 Spacer, Cover	R		71593-SWA-A01	\$6.72
	L		71598-SWA-A01	\$6.72
6 Bolt, Rear Cover	R		90107-S9V-A01	\$2.67
	L		90107-S9V-A01	\$2.67
7 Clip, No. 1 Rear Cover			91505-S9A-003	\$2.12

2010 Honda CR-V EX-L Utility

¶As Required

8	Clip, No. 2 Rear Cover (2)	91506-S9A-003	\$2.12
9	Garnish Assy, Lower	71503-SWA-000	\$8.68
10	Nut, Spring (a)	90331-S3Y-003	\$1.62

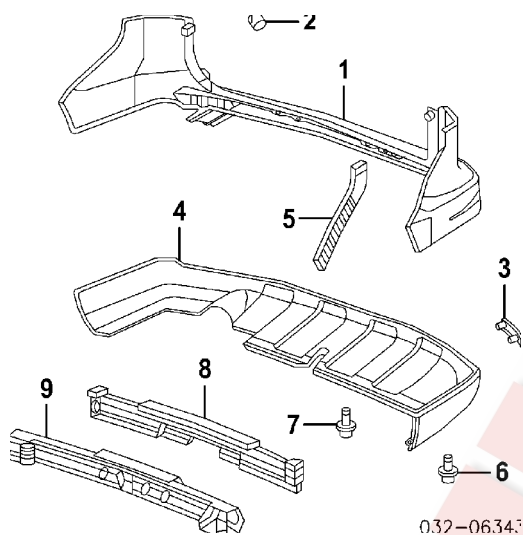
(a) Included w/Lower Garnish Assy

11	Absorber, Impact	71570-SWA-A00	\$49.67
12	Bar, Reinforcement	#.3 71530-SWA-A00ZZ	\$165.32
	Sensor Kit, Parking Aid Dealer Installed		
	Alabaster Silver, (Code NH700M) (b)	09 # 08V67-SWA-1B1K	\$265.32
	Glacier Blue, (Code B538M)	# 08V67-SWA-150K	\$259.00
	Borrego Beige, (Code YR566M)	# 08V67-SWA-181K	\$265.32
	Crystal Black, (Code NH731P)	09 # 08V67-SWA-1T1K	\$265.32
	Green Tea, (Code G526M)	# 08V67-SWA-161K	\$265.32
	Nighthawk Black, (Code B92P)	07-0 # 08V67-SWA-131K	\$264.00
	Royal Blue, (Code B536P)	# 08V67-SWA-141K	\$265.32
	Tafetta White, (Code NH578)	# 08V67-SWA-111K	\$265.32
	Tango Red, (Code R525P)	# 08V67-SWA-170K	\$259.00
	Urban Titanium, (Code YR578M)	09 # 08V67-SWA-1U1K	\$265.32
	Whistler Silver, (Code NH711M)	07-0 # 08V67-SWA-120K	\$259.00

(b) Add'l Parts &/or Dealer Contact Required

#Not Included in O/H

2010 Honda CR-V EX-L Utility



Refinish Rear Cover		2.0
Cap	R	.3
	L	.3
Refinish Reinforcement Bar		1.0
Refinish Reverse Parking Sensors Complete		.7
Refinish Parking Sensor		
Center	R	.3
	L	.3
Refinish Outer	R	.3
	L	.3
R&I Bumper Assy		1.0
O/H Bumper Assy (Includes R&I)		2.0
Add to R&R or O/H Bumper Assy		
w/Mudguards		.4
w/Parking Sensors		.4
Add to R&R Bumper		
To Drill for Parking Sensors		#.5

#See Manufacturer's Body Repair Manual for Specific Instructions

NOTE 1: All Parts in this section are included in overhaul unless noted otherwise.

NOTE 2: Manufacturer Advises that the Reinforcement Beam is High Strength Steel and should never be repaired.

2010 Honda CR-V EX-L Utility

1 Cover, Rear (P) (P) Paint to Match			2.0	04715-SWA-A80ZZ	\$264.00
2 Cap, Rear Cover					
Alabaster Silver, (Code NH700M)	R	.1		71503-S9A-000YV	\$4.37
	L	.1		71503-S9A-000YV	\$4.37
Crystal Black, (Code NH731P)	R	.1		71503-S9A-000C7	\$4.37
	L	.1		71503-S9A-000C7	\$4.37
Glacier Blue, (Code B538M)	R	.1		71503-S9A-000YY	\$3.95
	L	.1		71503-S9A-000YY	\$3.95
Opal Sage, (Code G532M)	R	.1		71503-S9A-000D6	\$4.37
	L	.1		71503-S9A-000D6	\$4.37
Polished Metal, (Code NH737M)	R	.1		71503-S9A-000B8	\$4.37
	L	.1		71503-S9A-000B8	\$4.37
Royal Blue, (Code B536P)	R	.1		71503-S9A-000YU	\$4.37
	L	.1		71503-S9A-000YU	\$4.37
Taffeta White, (Code NH578)	R	.1		71503-S9A-000ZF	\$9.40
	L	.1		71503-S9A-000ZF	\$9.40
Tango Red, (Code R525P)	R	.1		71503-S9A-000A7	\$3.95
	L	.1		71503-S9A-000A7	\$3.95
Urban Titanium, (Code YR578M)	R	.1		71503-S9A-000D4	\$3.80
	L	.1		71503-S9A-000D4	\$3.80
3 Reflector, Bumper	R	#.2		33505-SWA-J01	\$28.52
	L	#.2		33555-SWA-J01	\$28.52
4 Cover, Lower #w/Rear Cover Removed		#.5		04716-SWA-A90	\$271.47
5 Spacer, Cover	R			71593-SWA-A01	\$6.72
	L			71598-SWA-A01	\$6.72
Clip, Bumper (a)					
6 No. 1	R			91505-S9A-003	\$2.12
	L			91505-S9A-003	\$2.12
7 No. 2	R			91506-S9A-003	\$2.12
	L			91506-S9A-003	\$2.12
(a) As Required					
8 Absorber, Impact				71570-SWA-A01	\$49.67
9 Bar, Reinforcement Sensor Kit, Parking Aid (b) Dealer Installed		#.3		71530-SWA-A00ZZ	\$165.32
Alabaster Silver, (Code NH700M)		#		08V67-SWA-1E0J	\$265.32

2010 Honda CR-V EX-L Utility

Crystal Black, (Code NH731P)	#	08V67-SWA-1S0J	\$265.32
Glacier Blue, (Code B538M)	#	08V67-SWA-170J	\$265.32
Opal Sage, (Code G532M)	#	08V67-SWA-1U0J	\$265.32
Polished Metal, (Code NH737M)	#	08V67-SWA-1K0J	\$265.32
Royal Blue, (Code B536P)	#	08V67-SWA-160J	\$265.32
Taffeta White, (Code NH578)	#	08V67-SWA-110J	\$265.32
Tango Red, (Code R525P)	#	08V67-SWA-1A0J	\$265.32
Urban Titanium, (Code YR578M)	#	08V67-SWA-1Q0J	\$265.32

(b) Add'l Parts &/or Dealer Contact Required

#Not Included in O/H